



Chipsmall Limited consists of a professional team with an average of over 10 year of expertise in the distribution of electronic components. Based in Hongkong, we have already established firm and mutual-benefit business relationships with customers from,Europe,America and south Asia,supplying obsolete and hard-to-find components to meet their specific needs.

With the principle of "Quality Parts,Customers Priority,Honest Operation,and Considerate Service",our business mainly focus on the distribution of electronic components. Line cards we deal with include Microchip,ALPS,ROHM,Xilinx,Pulse,ON,Everlight and Freescale. Main products comprise IC,Modules,Potentiometer,IC Socket,Relay,Connector.Our parts cover such applications as commercial,industrial, and automotives areas.

We are looking forward to setting up business relationship with you and hope to provide you with the best service and solution. Let us make a better world for our industry!



Contact us

Tel: +86-755-8981 8866 Fax: +86-755-8427 6832

Email & Skype: info@chipsmall.com Web: www.chipsmall.com

Address: A1208, Overseas Decoration Building, #122 Zhenhua RD., Futian, Shenzhen, China



› em4

Accessories

RS485 Modbus slave interfaces

- › Modbus RTU or ASCII RS485 slave standard widely used in industry
- › Useful to connect one or several em4 to a programmable touch panel or a SCADA
- › The removable connector allows to unplug em4 without cutting the network
- › Includes End Of Line resistors
- › Direct connection with screw terminals without the need external accessories
- › Black or white color to match with the corresponding design of your em4



RS485 interface - Black



RS485 interface - White

Specific characteristics

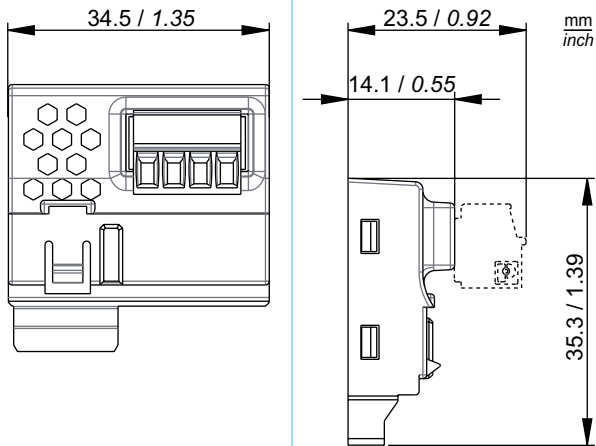
Part number	88 980 120	88 980 121
Finish	Glossy black	Glossy white
Color	Black RAL 9011	White RAL 9003

General characteristics

Protocol	Slave Modbus
Compatible	Base 24 VDC power supply version
Protection rating (in accordance with IEC/EN 60529)	IP 20
Type	2 wires
transmission mode	RTU 8 bits ASCII 7 bits
Parity	None, even, odd
Stop bit	1 or 2
Transmission rate	1200, 2400, 4800, 9600, 19200, 28800, 38400, 57600 bauds
Addressing	From 1 to 247
Compatible connector	Phoenix contact: 1916410 Dinkle: EC350V-04P-BK Framatome connectors: 20020004-C042B01LF (Included with the interface)
Weight	Without packing: 13 g With packing: 15 g
Dimensions	Without packing: 35 x 36 x 26 mm / 1.38 x 1.42 x 1.02 inch With packing: 93 x 103 x 30 mm / 3.66 x 4.06 x 1.18 inch

Diagrams

Dimensions



Connections

