



Chipsmall Limited consists of a professional team with an average of over 10 year of expertise in the distribution of electronic components. Based in Hongkong, we have already established firm and mutual-benefit business relationships with customers from,Europe,America and south Asia,supplying obsolete and hard-to-find components to meet their specific needs.

With the principle of “Quality Parts,Customers Priority,Honest Operation,and Considerate Service”,our business mainly focus on the distribution of electronic components. Line cards we deal with include Microchip,ALPS,ROHM,Xilinx,Pulse,ON,Everlight and Freescale. Main products comprise IC,Modules,Potentiometer,IC Socket,Relay,Connector.Our parts cover such applications as commercial,industrial, and automotives areas.

We are looking forward to setting up business relationship with you and hope to provide you with the best service and solution. Let us make a better world for our industry!



Contact us

Tel: +86-755-8981 8866 Fax: +86-755-8427 6832

Email & Skype: info@chipsmall.com Web: www.chipsmall.com

Address: A1208, Overseas Decoration Building, #122 Zhenhua RD., Futian, Shenzhen, China



> em4

Accessories

Wireless network antennas

- > Used with all range of em4 remote, em4 alert 2G and 3G
- > Wifi, Bluetooth, UMTS and GSM compatible
- > Internal magnetic mount with 3 m length cable compact, for out of the panel installation (88 980 160)
- > Magnetic / sticky mount with 3 m length cable for discretely mounting out of the panel or outdoor (88 980 161)
- > Robust, bracket mount with 10 m length cable for installation outdoor (88 980 162)



88 980 160



88 980 161



88 980 162

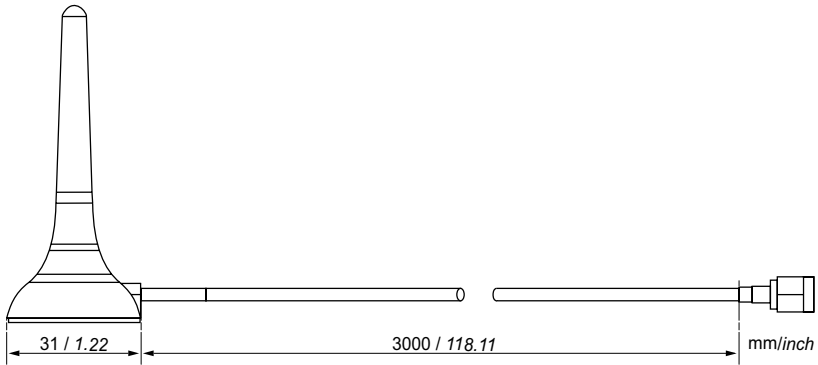
Specific characteristics			
Part number	88 980 160	88 980 161	88 980 162
Type	Inside	Inside, outside	Outside
Fixation	Magnetic / sticky	Magnetic / sticky	Square and 6 mm diameter hole
V.S.W.R	< 2: 1	< 1.5: 1	< 2: 1
Cable length	3 m		10 m
Cable type	RG174		RG58
Gain	2.2 dB max	2.14 dB max	High gain collinear antenna
Frequencies	GSM 850/900/1800/ 1900/2100 MHz 2.4 GHz WIFI & Bluetooth	AMPS 824-894 MHz, GSM 900 MHz, GSM 1800 MHz PCN 1.9 GHz, UMTS 2.1 GHz 2.4 GHz WIFI & Bluetooth	
Weight	Without packing: 60 g With packing: 65 g	Without packing: 95 g With packing: 100 g	Without packing: 485 g With packing: 500 g
Dimensions	Without packing: 72 mm, diameter 31 mm / 2.84, 1.22 diameter inch With packing: 200 x 100 x 32 mm / 7.87 x 3.94 x 1.26 inch	Without packing: 80 x 76 x 14 mm / 3.15 x 2.95 x 0.55 inch With packing: 300 x 115 x 15 mm / 11.8 x 4.53 x 0.59 inch	Without packing: 274 mm, diameter 16.3 mm / 10.78 inch, 0.64 diameter inch With packing: 480 x 210 x 15 mm / 18.9 x 8.27 x 0.59 inch

General characteristics	
Connector	RP SMA: SMA Male Reverse Polarity
Impedance	50 Ω
Operation temperature	-40°C (-40°F) ➔ +85°C (185°F)
Polarization	Vertical

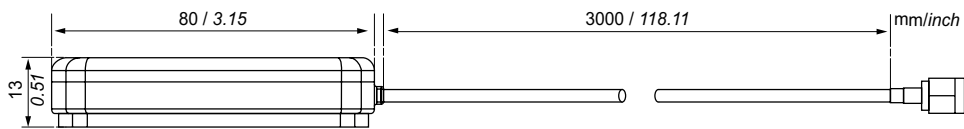
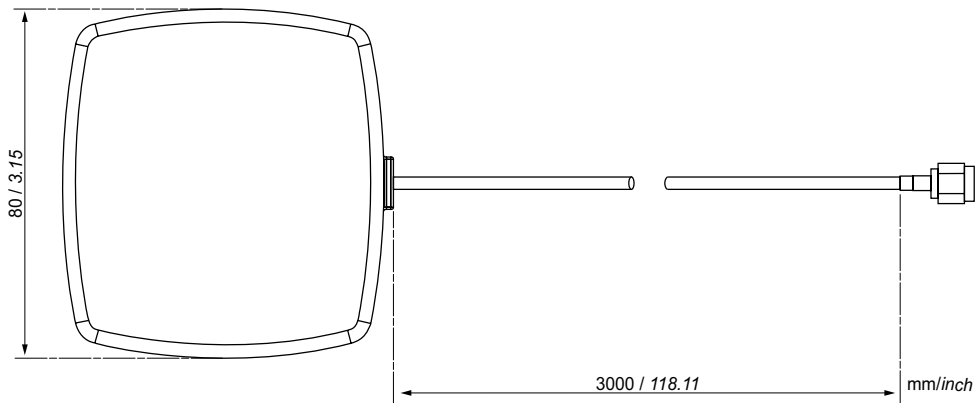
Diagrams

Dimensions

88 980 160



88 980 161



88 980 162

