



Chipsmall Limited consists of a professional team with an average of over 10 year of expertise in the distribution of electronic components. Based in Hongkong, we have already established firm and mutual-benefit business relationships with customers from,Europe,America and south Asia,supplying obsolete and hard-to-find components to meet their specific needs.

With the principle of "Quality Parts,Customers Priority,Honest Operation,and Considerate Service",our business mainly focus on the distribution of electronic components. Line cards we deal with include Microchip,ALPS,ROHM,Xilinx,Pulse,ON,Everlight and Freescale. Main products comprise IC,Modules,Potentiometer,IC Socket,Relay,Connector.Our parts cover such applications as commercial,industrial, and automotives areas.

We are looking forward to setting up business relationship with you and hope to provide you with the best service and solution. Let us make a better world for our industry!



## Contact us

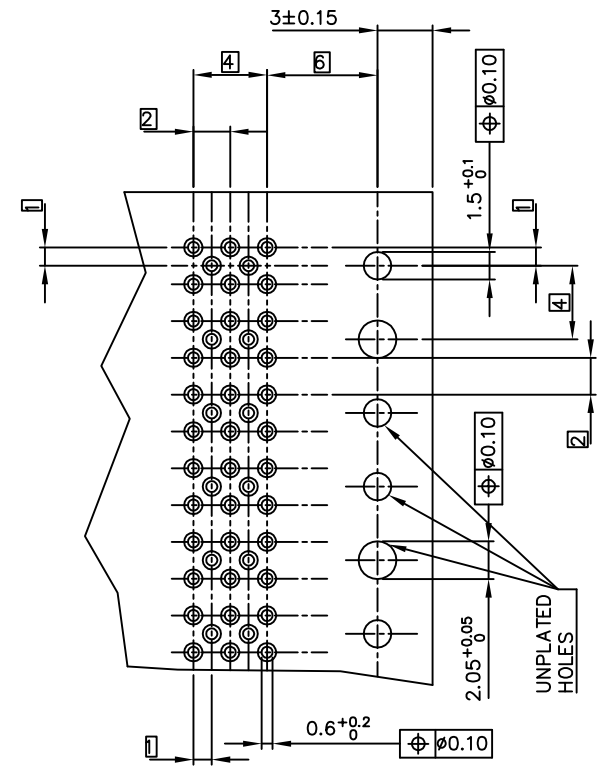
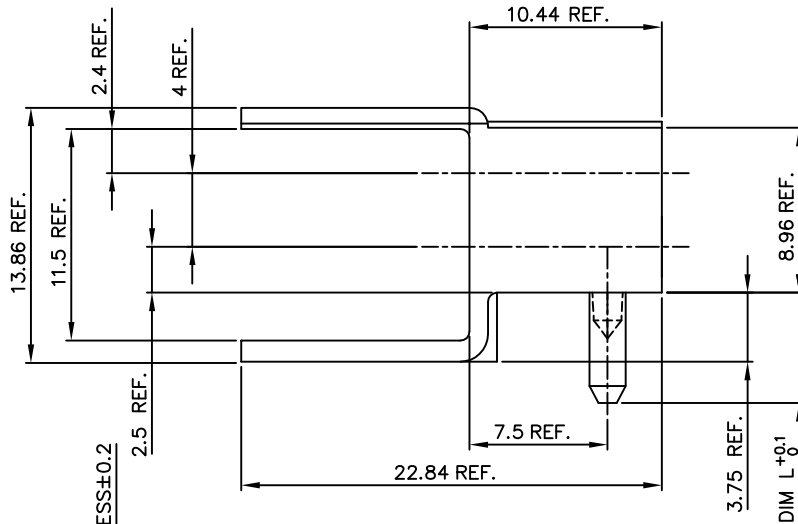
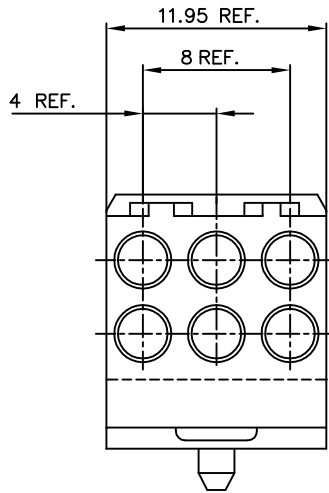
Tel: +86-755-8981 8866 Fax: +86-755-8427 6832

Email & Skype: info@chipsmall.com Web: www.chipsmall.com

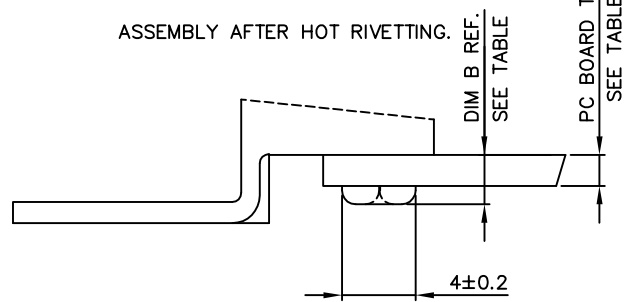
Address: A1208, Overseas Decoration Building, #122 Zhenhua RD., Futian, Shenzhen, China



PRODUCT NR:	PCB THICKNESS	DIM B	DIM L
88982-101LF	1.6 & 2.4	3.08	5.20



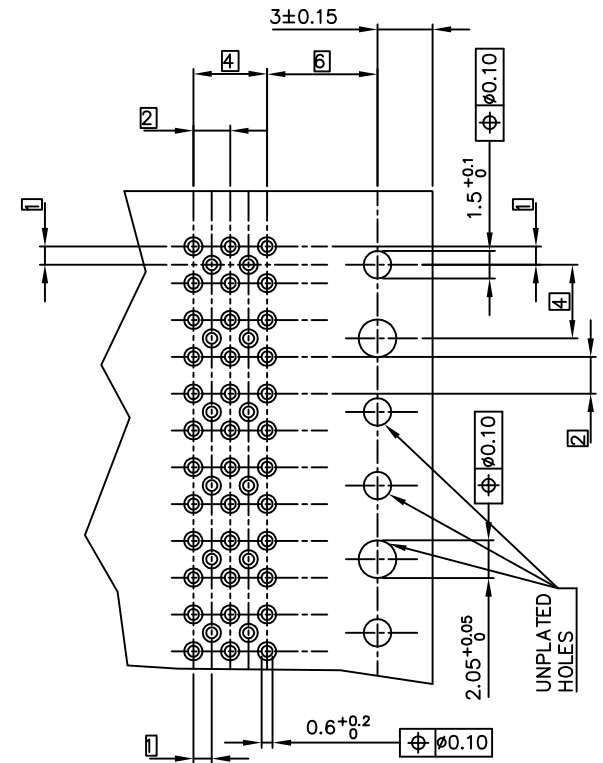
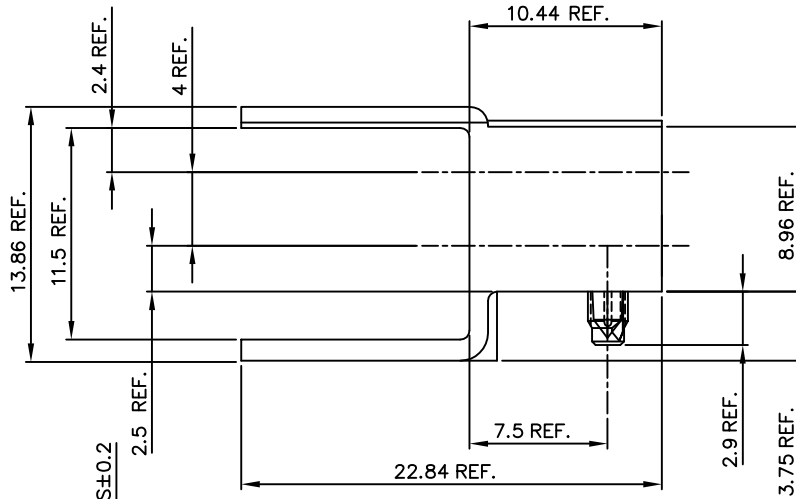
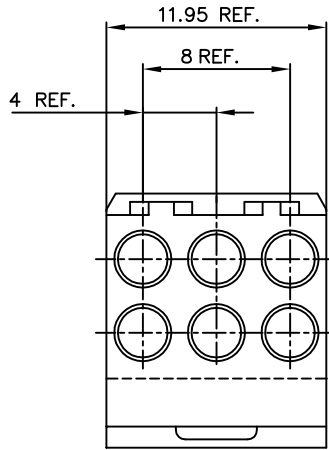
RECOMMENDED HOLE PATTERN, COMPONENT SIDE.



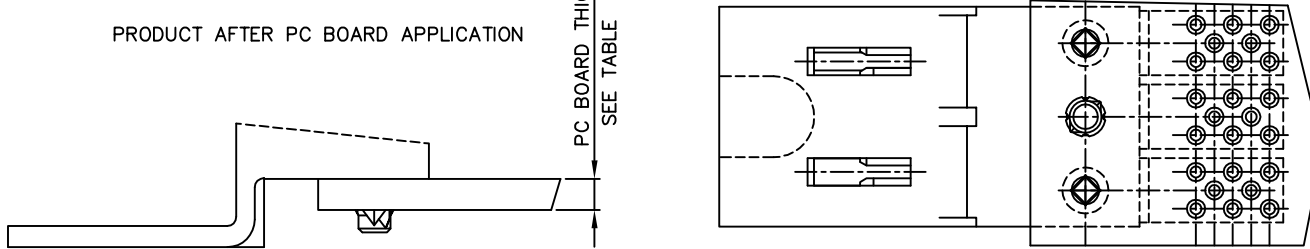
- NOTE:
- MATERIAL:  
LIQUID CRYSTAL POLYMER 30% GLASS,  
FLAME RETARDANT ACC. TO UL 94-V0  
COLOR NATURAL
  - THIS PRODUCT MEETS EUROPEAN UNION DIRECTIVES AND OTHER  
COUNTRY REGULATIONS AS DESCRIBED IN GS-22-008
  - THE HOUSING WILL WITHSTAND EXPOSURE TO 260DEGREE PEAK  
TEMPERATURE FOR 10 SECONDS IN A WAVE SOLDER APPLICATION.

mat'l. code	SEE NOTE 1		tolerances unless otherwise specified		CUSTOMER COPY	ELECTRONICS	
ltr	ecm no	dr	date	linear	projection	R.A. HEADER	
H	005-048	CLU	051115		mm	MINI COAX	
C	H20755	DAN	921124	angles	mm	product family	code
D	H40355	DOB	940617	dr	D Andrews	920424	213
E	H50047	RVI	950119	engr	E. Fejen	940616	sheet
F	H70267	DOB	970416	chr	P Schaik	920424	1 of 2
G	H90477	DOB	990816	app	H Cooljmans	950119	
sheet	revision	H	H		scale	5:1	
Indx	shes	1	2		A2	88982	

PRODUCT NUMBER 88982-102LF



PRODUCT AFTER PC BOARD APPLICATION



RECOMMENDED HOLE PATTERN,  
COMPONENT SIDE.

NOTE:

- 1) MATERIAL:  
LIQUID CRYSTAL POLYMER 30% GLASS,  
FLAME RETARDANT ACC. TO UL 94-V0  
COLOR NATURAL
- 2) THIS PRODUCT MEETS EUROPEAN UNION DIRECTIVES AND OTHER  
COUNTRY REGULATIONS AS DESCRIBED IN GS-22-008
- 3) THE HOUSING WILL WITHSTAND EXPOSURE TO 260DEGREE PEAK  
TEMPERATURE FOR 10 SECONDS IN A WAVE SOLDER APPLICATION.

mat'l. code SEE NOTE 1		tolerances unless otherwise specified		CUSTOMER COPY		<b>ELECTRONICS</b> www.fciconnect.com	
ltr	ecn no	dr	date	linear	projection	title R.A. HEADER	
H				angles	mm	product family CENTRAL (tm)	
		dr	D. de Bill 940617		scale 5:1	code 213	
		eng	E. Feijen 940617		A2	sheet 2 of 2	
		chr	E. Feijen 940617			size dwg no 88982	
		app	H. Cozijmans 950119				
sheet	revision						
Indx	sheet						

PDM: Rev:1

STATUS: Released

Printed: May 19, 2011