



Chipsmall Limited consists of a professional team with an average of over 10 year of expertise in the distribution of electronic components. Based in Hongkong, we have already established firm and mutual-benefit business relationships with customers from,Europe,America and south Asia,supplying obsolete and hard-to-find components to meet their specific needs.

With the principle of "Quality Parts,Customers Priority,Honest Operation,and Considerate Service",our business mainly focus on the distribution of electronic components. Line cards we deal with include Microchip,ALPS,ROHM,Xilinx,Pulse,ON,Everlight and Freescale. Main products comprise IC,Modules,Potentiometer,IC Socket,Relay,Connector.Our parts cover such applications as commercial,industrial, and automotives areas.

We are looking forward to setting up business relationship with you and hope to provide you with the best service and solution. Let us make a better world for our industry!



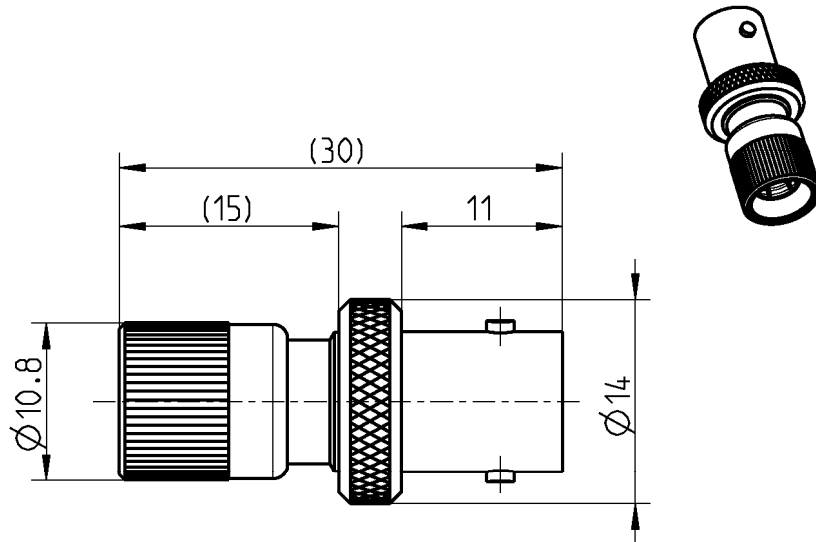
## Contact us

Tel: +86-755-8981 8866 Fax: +86-755-8427 6832

Email & Skype: info@chipsmall.com Web: www.chipsmall.com

Address: A1208, Overseas Decoration Building, #122 Zhenhua RD., Futian, Shenzhen, China





All dimensions are in mm; tolerances according to ISO 2768 m-H

**Interface**

BNC side	Compatible to	IEC 60169-8, MIL-PRF-39012, CECC 22120
1.6/5.6 side	According to	CECC 22 240

**Documents**

N/A

**Material and plating**

**Connector parts**

	<b>Material</b>	<b>Plating</b>
Center contact	Beryllium copper	AuroDur, gold plated
Outer contact 1.6/5.6 side	Beryllium copper	AuroDur, gold plated
Outer contact BNC side	Brass	Nickel, 2.5-5 µm
Coupling nut	Brass	Nickel, 2.5-5 µm
Dielectric 1.6/5.6 side	LCP	
Dielectric BNC side	PTFE	

ADAPTOR, SCREW ON  
1.6/5.6 III PLUG – BNC 75 Ω JACK

**88S171-K00L5****Electrical data**

Impedance	75 Ω	
Frequency	DC to 4 GHz	
Return loss	≥ 30 dB, DC to 0.5 GHz	
	≥ 25 dB, 0.5 to 1 GHz	
	≥ 20 dB, 1 to 2 GHz	
Insertion loss	≤ 0.1 dB, DC to 2 GHz	
Insulation resistance	≥ 10x10 <sup>3</sup> MΩ	
Center contact resistance	≤ 1.5 mΩ, BNC side;	≤ 4 mΩ, 1.6/5.6 side
Outer contact resistance	≤ 1 mΩ, BNC side;	≤ 2 mΩ, 1.6/5.6 side
Test voltage	1000 V rms	
Working voltage	330 V rms	
RF-leakage	≥ 90 dB up to 1 GHz (slide-on)	
	≥ 100 dB up to 1 GHz (screw version)	

**Mechanical data**

	BNC side	1.6/5.6 side
Mating cycles	min. 500	min. 500
Center contact captivation: axial	≥ 30 N	≥ 30 N
Engaging and disengaging force	≤ 20 N	2.2 N to 12 N (screw-on, slide-on)
		18 N to 50 N (quick-lock)
Coupling mechanism retention force	N/A	≥ 300 N (screw version, quick-lock)

**Environmental data**

Temperature range	-40°C to +85°C	
Climatic class	IEC 60068-2-1 40/85/21	
	IEC 60068-2-2	
	IEC 60068-2-3	
Vibration	IEC 60068-2-6	10 Hz to 2000 Hz, 100m/s <sup>2</sup>
RoHS	compliant	

**Tooling**

N/A

**Suitable cables**

N/A

**Weight**

Weight 10.0 g/pce

While the information has been carefully compiled to the best of our knowledge, nothing is intended as representation or warranty on our part and no statement herein shall be construed as recommendation to infringe existing patents. In the effort to improve our products, we reserve the right to make changes judged to be necessary.

Draft	Date	Approved	Date	Rev.	Engineering change number	Name	Date
A. König	10/07/07	Sa. Krautenbacher	24.03.14	b00	14-0352	T. Krojer	24.03.14
Rosenberger Hochfrequenztechnik GmbH & Co. KG P.O.Box 1260 D-84526 Tittmoning Germany <a href="http://www.rosenberger.de">www.rosenberger.de</a>					Tel.: +49 8684 18-0 Fax: +49 8684 18-499 email: <a href="mailto:info@rosenberger.de">info@rosenberger.de</a>		Page 2 / 2