



Chipsmall Limited consists of a professional team with an average of over 10 year of expertise in the distribution of electronic components. Based in Hongkong, we have already established firm and mutual-benefit business relationships with customers from,Europe,America and south Asia,supplying obsolete and hard-to-find components to meet their specific needs.

With the principle of “Quality Parts,Customers Priority,Honest Operation,and Considerate Service”,our business mainly focus on the distribution of electronic components. Line cards we deal with include Microchip,ALPS,ROHM,Xilinx,Pulse,ON,Everlight and Freescale. Main products comprise IC,Modules,Potentiometer,IC Socket,Relay,Connector.Our parts cover such applications as commercial,industrial, and automotives areas.

We are looking forward to setting up business relationship with you and hope to provide you with the best service and solution. Let us make a better world for our industry!



## Contact us

Tel: +86-755-8981 8866 Fax: +86-755-8427 6832

Email & Skype: info@chipsmall.com Web: www.chipsmall.com

Address: A1208, Overseas Decoration Building, #122 Zhenhua RD., Futian, Shenzhen, China





## 89

### Uncompensated

#### SPECIFICATIONS

- **316L SS Pressure Sensor**
- **High Pressure**
- **0 - 100mV Output**
- **Absolute**

The 89 uncompensated is a small profile, media compatible, piezoresistive silicon pressure sensor packaged in a 316L stainless steel housing. The 89 uncompensated features 5/16-32 UNEF threads and can be welded in place. It can also be packaged in a variety of threaded fittings such as 1/4 and 1/8NPT, 1/4BSP as well as custom process fittings. Contact factory for threaded fitting options.

The 89 uncompensated is designed for high pressure OEM applications where compatibility with corrosive media is required. The sensing package utilizes silicon oil to transfer pressure from the 316L stainless steel diaphragm to the sensing element.

Please refer to the 89 compensated and constant voltage datasheets for more information on different features of the 89.

## FEATURES

- Weldable and Threaded Process Fittings
- -40°C to +125°C Operating  
1. Temperature Range
- ±0.25% Pressure Non Linearity
- Solid State Reliability

## APPLICATIONS

- Hydraulic Controls
- Process Control
- Pressure Calibrators
- Refrigeration/Compressors

## STANDARD RANGES

Range	psia
0 to 01k	•
0 to 03k	•
0 to 05k	•
0 to 10k	•

## PERFORMANCE SPECIFICATIONS

## Supply Current: 1.5 mA

## Ambient Temperature: 25°C (unless otherwise specified)

PARAMETERS	MIN	TYP	MAX	UNITS	NOTES
Sensitivity	15	22	28	mV/V@FS	
Zero Pressure Output	-4		4	mV/V	
Pressure Non Linearity	-0.25		0.25	%Span	1
Pressure Hysteresis		±0.05		%Span	
Repeatability		±0.02		%Span	
Input/Output Resistance	3900	4500	5100	Ω	2
Temperature Coefficient – Resistance	1300	1510	1750	ppm/°C	3
Temperature Coefficient – Sensitivity	-1450	-1250	-1000	ppm/°C	3
Temperature Coefficient – Offset		2		uV/V/°C	3
Thermal Hysteresis – Span		±0.05		%Span	3
Thermal Hysteresis – Offset		±0.05		%Span	3
Long Term Stability – Span		±0.1		%Span	4
Long Term Stability – Offset		±0.1		%Span	4
Supply Current	0.5	1.5	2.0	mA	
Supply Voltage			9.5	V	
Insulation Resistance (50Vdc)	50			MΩ	5
Pressure Overload			3X	Rated	6
Pressure Burst			4X	Rated	7
Operating Temperature	-40		+125	°C	
Storage Temperature	-50		+125	°C	
Torque	154		180	In-lb	8
Weight			9	grams	
Media – Pressure Port	Liquids and Gases compatible with 316/316L Stainless Steel				

## Notes

1. Measured at ambient temperature.
2. Best fit straight line.
3. Measured with both -E pins shorted together.
4. Over the temperature range -20°C to +85°C with respect to 25°C.
5. Minimum resistance between case and pins.
6. 3X or 20,000psi, whichever is less. The maximum pressure that can be applied without changing the transducer's performance or accuracy.
7. 4X or 30,000psi, whichever is less. The maximum pressure that can be applied to a transducer without rupture of either the sensing element or transducer.
8. For devices without fittings, typical receptacle is 316 ST STL, tensile strength 75,000psi min.
9. Direct mechanical contact with diaphragm is prohibited. Diaphragm surface must remain free of defects (scratches, punctures, fingerprints, etc.) for device to operate properly. Caution is advised when handling parts with exposed diaphragms. Use protective cap whenever devices are not in use.

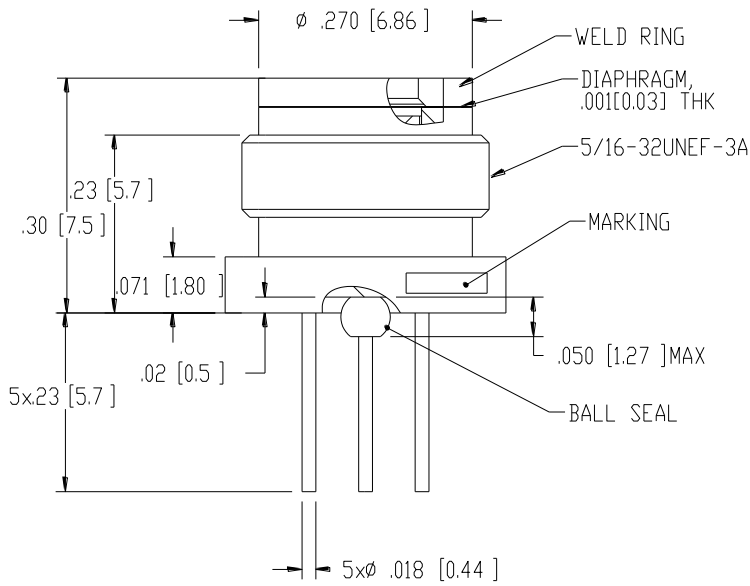
## Remarks

10. Testing: All 03k, 05k and 10kpsi parts are tested at 2500psi.

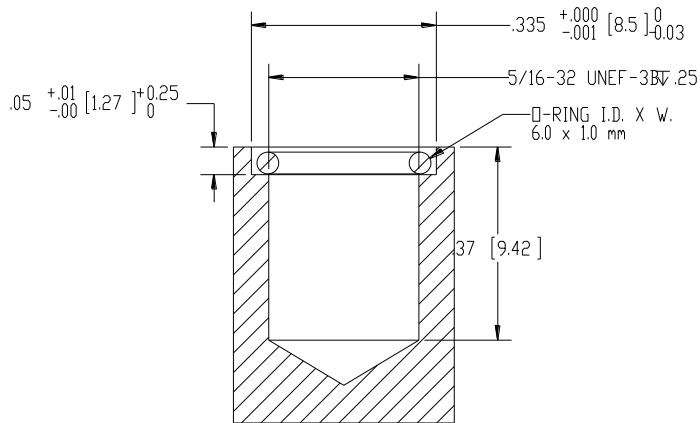
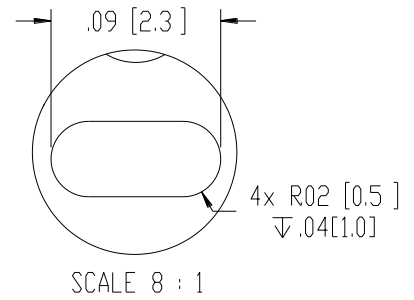
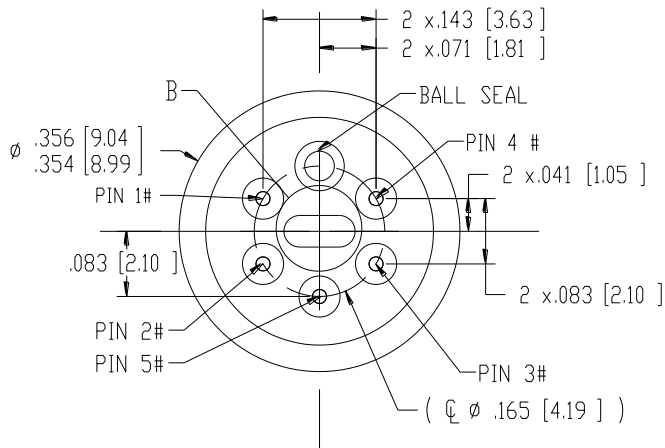


### DIMENSIONS

DIMENSIONS ARE IN INCHES [mm]



PIN NO	FUNCTION
1	- $\square$
2	-E1
3	+ $\square$
4	+E
5	-E2



O-RING SEAL MOUNTING RECOMMENDATIONS

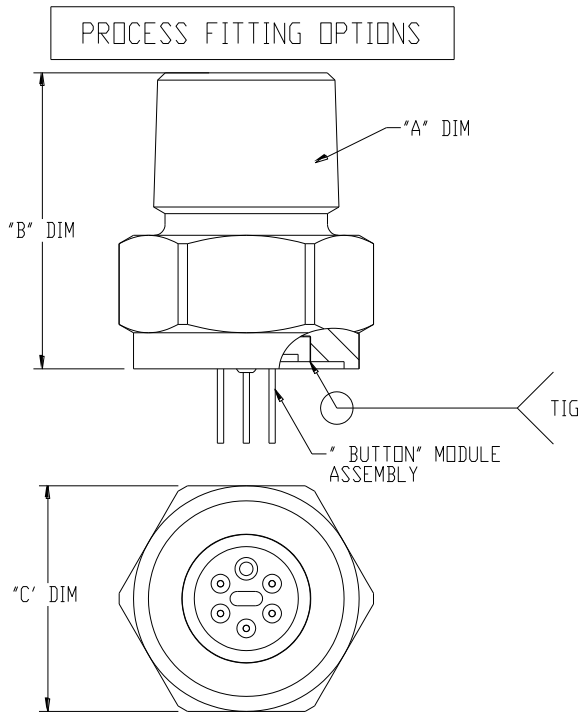
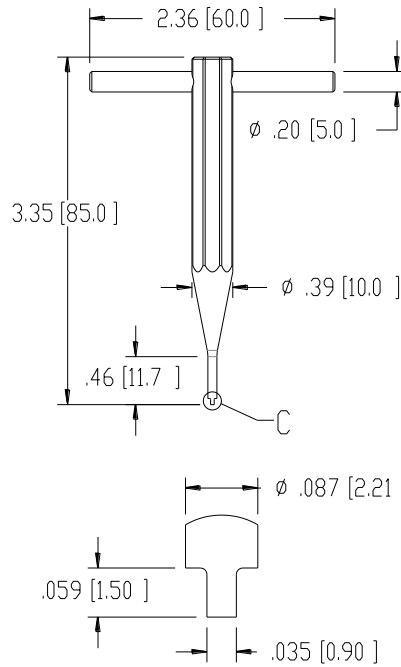


TABLE1: FITTING DIMENSION

FITTING TYPE	"A" DIM	"B" DIM	"C" DIM
1	1/4-18 NPT	.93[23.6]	7/8 [22.2] HEX
2	1/8-27 NPT	.91[23.1]	7/8 [22.2] HEX
3	7/16-20 UNF	.77[19.6]	7/8 [22.2] HEX
4	1/4-18 NPT	.82[20.8]	5/8 [15.9] HEX
5	1/4-19 BSP	.82[20.8]	3/4 [19.0] HEX
8	1/8-27 NPT	.71[18.0]	5/8 [15.9] HEX
9	1/4-19 BSP	.89[22.6]	7/8 [22.2] HEX
0	NO FITTING		
NOTE : FITTING TYPE "4" ASSEMBLY SHOWN ALL DIMS ARE FOR REFERENCE ONLY			

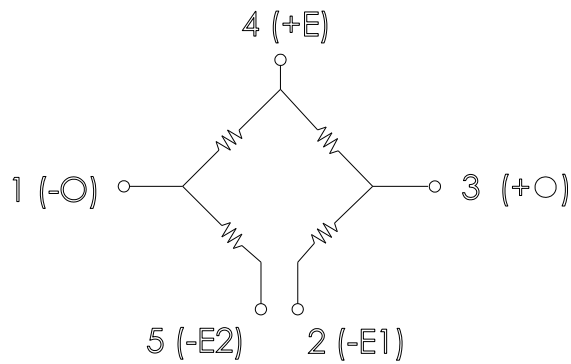
ACCESSORIES



SCALE 4 : 1

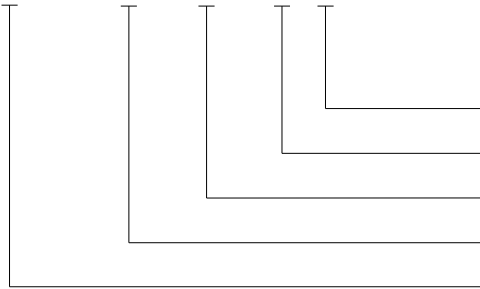
WRENCH TOOL (MEAS P/N IC-D00546) FOR PRODUCT W/O FITTING. TOOL CAN BE ORDERED SEPARATELY FROM MEAS.

CONNECTIONS



## ORDERING INFORMATION

89 - 01K A - 0 U



Electrical (U = Leads)

Fitting Type

Type (A = Absolute)

Pressure Range

Model

**NORTH AMERICA**

Measurement Specialties, Inc.,  
a TE Connectivity Company  
45738 Northport Loop West  
Fremont, CA 94538  
Tel: 1-800-767-1888  
Fax: 1-510-498-1578  
Sales: pfg.cs.amer@meas-spec.com

**EUROPE**

MEAS France SAS,  
a TE Connectivity Company  
26 Rue des Dames  
78340 Les Clayes-sous-Bois, France  
Tel: +33 (0) 130 79 33 00  
Fax: +33 (0) 134 81 03 59  
Sales: pfg.cs.emea@meas-spec.com

**ASIA**

Measurement Specialties (China), Ltd.,  
a TE Connectivity Company  
No. 26 Langshan Road  
Shenzhen High-Tech Park (North)  
Nanshan District, Shenzhen 518057  
China  
Tel: +86 755 3330 5088  
Fax: +86 755 3330 5099  
Sales: pfg.cs.asia@meas-spec.com

**TE.com/sensorsolutions**

Measurement Specialties, Inc., a TE Connectivity company.

Measurement Specialties, TE Connectivity, TE Connectivity (logo) and EVERY CONNECTION COUNTS are trademarks. All other logos, products and/or company names referred to herein might be trademarks of their respective owners.

The information given herein, including drawings, illustrations and schematics which are intended for illustration purposes only, is believed to be reliable. However, TE Connectivity makes no warranties as to its accuracy or completeness and disclaims any liability in connection with its use. TE Connectivity's obligations shall only be as set forth in TE Connectivity's Standard Terms and Conditions of Sale for this product and in no case will TE Connectivity be liable for any incidental, indirect or consequential damages arising out of the sale, resale, use or misuse of the product. Users of TE Connectivity products should make their own evaluation to determine the suitability of each such product for the specific application.

© 2015 TE Connectivity Ltd. family of companies All Rights Reserved.