



Chipsmall Limited consists of a professional team with an average of over 10 year of expertise in the distribution of electronic components. Based in Hongkong, we have already established firm and mutual-benefit business relationships with customers from,Europe,America and south Asia,supplying obsolete and hard-to-find components to meet their specific needs.

With the principle of “Quality Parts,Customers Priority,Honest Operation,and Considerate Service”,our business mainly focus on the distribution of electronic components. Line cards we deal with include Microchip,ALPS,ROHM,Xilinx,Pulse,ON,Everlight and Freescale. Main products comprise IC,Modules,Potentiometer,IC Socket,Relay,Connector.Our parts cover such applications as commercial,industrial, and automotives areas.

We are looking forward to setting up business relationship with you and hope to provide you with the best service and solution. Let us make a better world for our industry!



Contact us

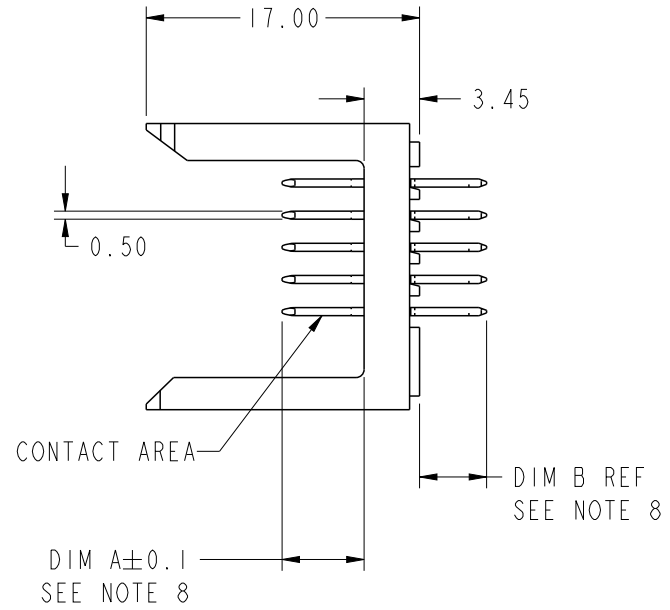
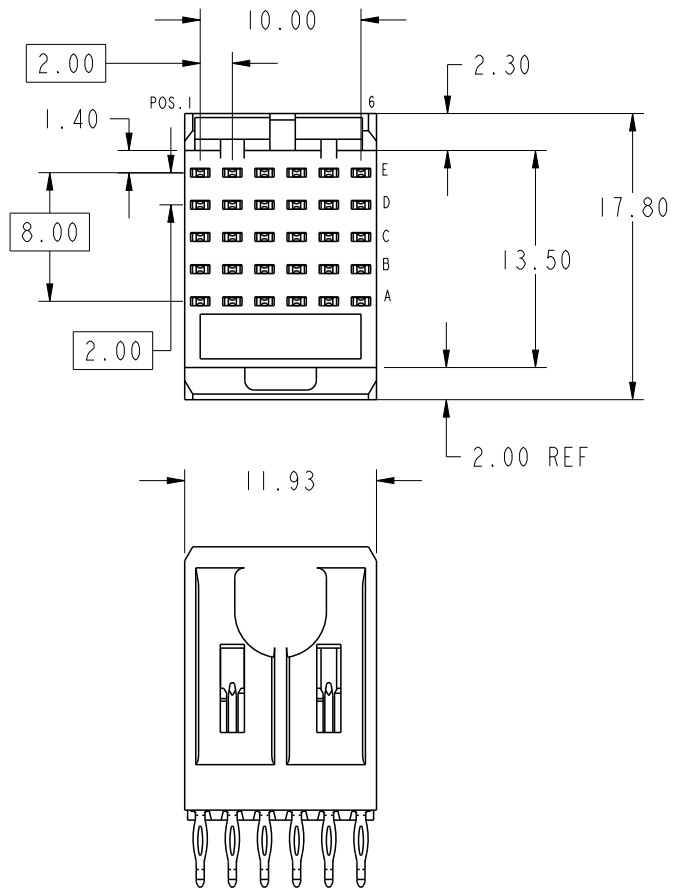
Tel: +86-755-8981 8866 Fax: +86-755-8427 6832

Email & Skype: info@chipsmall.com Web: www.chipsmall.com

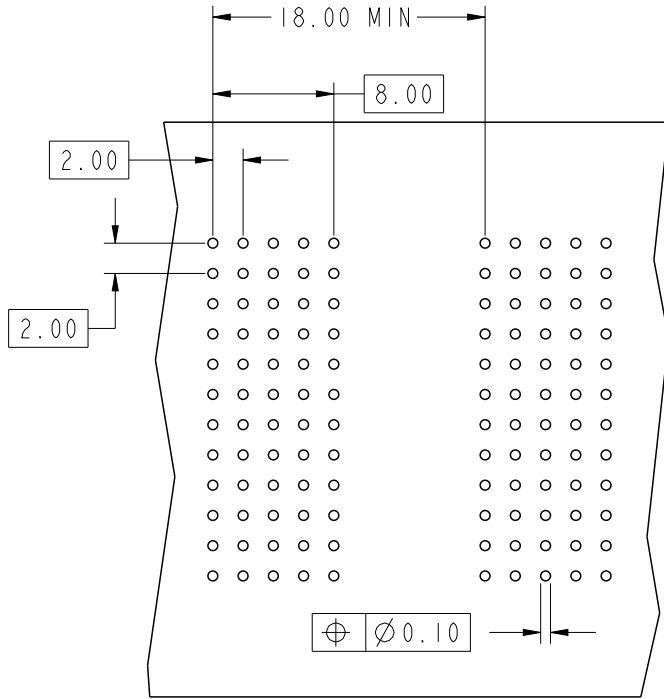
Address: A1208, Overseas Decoration Building, #122 Zhenhua RD., Futian, Shenzhen, China



PRODUCT NUMBER
89006-XYLFF



spec ref *		dr Terran Huang 2010/07/09		projection 	mm 	size A4	scale 2:1
tolerance std ISO 406 ISO 1101		eng Narayanan, Aru 2018/07/12				ecn no ELX-I-30699-1	
TOLERANCES UNLESS OTHERWISE SPECIFIED		chr -				rel level Released	
surface 3.200 linear		0.X ±0.3	Amphenol FCI www.fci.com	product family METRAL		title METRAL SIGNAL HEADER I MOD, 5 ROW PRESS-FIT dwg no 89006 rev BM	
ISO 1302		0.XX ±0.13		product family METRAL			
		0.XXX ±.050		rel level Released			
angular 0°		±2°	cat. no. -	Product - Customer Drw		sheet 1 of 9	



REQUIRED PC BOARD LAYOUT
COMPONENT SIDE
SEE PRINT 58351 FOR
ADDITIONAL PCB INFORMATION

KEY		
CODE	DIMENSIONS	
	DIM "A" MATE	DIM "B" TAIL
1	5.00	4.30
2	5.75	4.30
3	6.50	4.30
4	7.25	4.30
5	5.00	13.60
6	5.75	13.60
7	6.50	13.60
8	7.25	13.60
9	5.00	17.00
10	5.75	17.00
11	6.50	17.00
12	7.25	17.00
13	8.25	4.30
14	8.25	13.60
15	8.25	17.00
16	7.00	4.30
17	7.00	13.60
18	7.00	17.00
19	8.00	4.30
20	8.00	13.60
21	8.00	17.00
59	5.00	11.80

spec ref	*	dr	Terran Huang	2010/07/09	projection 	mm 	size	A4	scale	2:1
tolerance std	TOLERANCES UNLESS OTHERWISE SPECIFIED	eng	Narayanan, Aru	2018/07/12			ecn no	ELX-I-30699-1		
ISO 406 ISO 1101		chr	-	-			rel level	Released		
surface	3.200 linear	appr	K-Paul Biju	2018/07/13	product family	METRAL	dwg no	89006	rev	BM
ISO 1302	angular	0°	±2°	www.fci.com	cat. no.	-	Product - Customer Drw	sheet 2 of 9		

A

B

C

D

METRAL P/N	ROW	CONTACT CODE MOD. I					
		1	2	3	4	5	6
89006-X10LF	E	1	1	1	1	1	1
	D	1	1	1	1	1	1
	C	1	1	1	1	1	1
	B	1	1	1	1	1	1
	A	1	1	1	1	1	1
89006-X14LF	E	4	4	4	4	4	4
	D	3	3	3	3	3	3
	C	4	4	4	4	4	4
	B	4	4	4	4	4	4
	A	4	4	4	4	4	4
89006-X19LF	E	4	4	4	4	4	4
	D	4	4	4	4	4	4
	C	4	4	4	4	4	4
	B	4	4	4	4	4	4
	A	4	4	4	4	4	4
89006-X23LF	E	8	8	8	8	8	8
	D	20	20	20	20	20	20
	C	8	8	8	8	8	8
	B	8	8	8	8	8	8
	A	8	8	8	8	8	8
89006-X27LF	E	6	6	6	6	6	6
	D	6	6	6	6	6	6
	C	6	6	6	6	6	6
	B	6	6	6	6	6	6
	A	20	20	20	20	20	20
89006-X32LF	E	12	12	12	12	12	12
	D	11	11	11	11	11	11
	C	11	11	11	11	11	11
	B	9	9	9	9	9	9
	A	9	9	9	9	9	9
89006-X11LF	E	3	3	3	3	3	3
	D	3	3	3	3	3	3
	C	3	3	3	3	3	3
	B	3	3	3	3	3	3
	A	3	3	3	3	3	3
89006-X15LF	E	1	1	1	1	1	1
	D	1	1	1	1	1	1
	C	1	1	1	1	1	1
	B	1	1	1	1	1	1
	A	3	3	3	3	3	3
89006-X20LF	E	5	5	5	5	5	5
	D	5	5	5	5	5	5
	C	5	5	5	5	5	5
	B	5	5	5	5	5	5
	A	5	5	5	5	5	5
89006-X24LF	E	8	8	8	8	8	8
	D	7	7	7	7	7	7
	C	8	8	8	8	8	8
	B	8	8	8	8	8	8
	A	8	8	8	8	8	8
89006-X29LF	E	8	8	8	8	8	8
	D	8	8	8	8	8	8
	C	8	8	8	8	8	8
	B	8	8	8	8	8	8
	A	8	8	8	8	8	8
89006-X33LF	E	12	12	12	12	12	12
	D	21	21	21	21	21	21
	C	12	12	12	12	12	12
	B	12	12	12	12	12	12
	A	12	12	12	12	12	12
89006-X12LF	E	4	4	4	4	4	4
	D	3	3	3	3	3	3
	C	3	3	3	3	3	3
	B	1	1	1	1	1	1
	A	1	1	1	1	1	1
89006-X16LF	E	2	2	2	2	2	2
	D	2	2	2	2	2	2
	C	2	2	2	2	2	2
	B	2	2	2	2	2	2
	A	2	2	2	2	2	2
89006-X21LF	E	7	7	7	7	7	7
	D	7	7	7	7	7	7
	C	7	7	7	7	7	7
	B	7	7	7	7	7	7
	A	7	7	7	7	7	7
89006-X25LF	E	5	5	5	5	5	5
	D	5	5	5	5	5	5
	C	5	5	5	5	5	5
	B	5	5	5	5	5	5
	A	7	7	7	7	7	7
89006-X30LF	E	9	9	9	9	9	9
	D	9	9	9	9	9	9
	C	9	9	9	9	9	9
	B	9	9	9	9	9	9
	A	9	9	9	9	9	9
89006-X34LF	E	12	12	12	12	12	12
	D	11	11	11	11	11	11
	C	12	12	12	12	12	12
	B	12	12	12	12	12	12
	A	12	12	12	12	12	12
89006-X13LF	E	4	4	4	4	4	4
	D	19	19	19	19	19	19
	C	4	4	4	4	4	4
	B	4	4	4	4	4	4
	A	4	4	4	4	4	4
89006-X17LF	E	2	2	2	2	2	2
	D	2	2	2	2	2	2
	C	2	2	2	2	2	2
	B	2	2	2	2	2	2
	A	19	19	19	19	19	19
89006-X22LF	E	8	8	8	8	8	8
	D	7	7	7	7	7	7
	C	7	7	7	7	7	7
	B	5	5	5	5	5	5
	A	5	5	5	5	5	5
89006-X26LF	E	6	6	6	6	6	6
	D	6	6	6	6	6	6
	C	6	6	6	6	6	6
	B	6	6	6	6	6	6
	A	6	6	6	6	6	6
89006-X31LF	E	11	11	11	11	11	11
	D	11	11	11	11	11	11
	C	11	11	11	11	11	11
	B	11	11	11	11	11	11
	A	11	11	11	11	11	11
89006-X35LF	E	9	9	9	9	9	9
	D	9	9	9	9	9	9
	C	9	9	9	9	9	9
	B	9	9	9	9	9	9
	A	11	11	11	11	11	11

spec ref	*	dr	Terran Huang	2010/07/09	projection	mm	size	A4	scale	1:1	
tolerance std	ISO 406 ISO 1101	eng	Narayanan, Aru	2018/07/12			ecn no	ELX-I-30699-1			
	TOLERANCES UNLESS OTHERWISE SPECIFIED	chr	-	-				rel level	Released		
surface	3.200 ✓ ISO 1302	appr	K-Paul Biju	2018/07/13	product family	METRAL		rel level	Released		
	linear	0.X	±0.3	Amphenol FCI	METRAL SIGNAL HEADER 1 MOD, 5 ROW PRESS-FIT			dwg no	89006		rev
		0.XX	±0.13								
	angular	0°	±2°								
		www.fci.com	cat. no.	-	Product - Customer Drw			sheet 3 of 9			

A

B

C

D

METRAL P/N	ROW	CONTACT CODE MOD. I					
		1	2	3	4	5	6
89006-X36LF	E	10	10	10	10	10	10
	D	10	10	10	10	10	10
	C	10	10	10	10	10	10
	B	10	10	10	10	10	10
	A	10	10	10	10	10	10
89006-X41LF	E	2	2	2	2	2	2
	D	1	1	1	1	1	1
	C	2	2	2	2	2	2
	B	2	2	2	2	2	2
	A	3	3	3	3	3	3
89006-X45LF	E	1	1	1	1	1	1
	D	19	19	19	19	19	19
	C	1	1	1	1	1	1
	B	19	19	19	19	19	19
	A	1	1	1	1	1	1
89006-X49LF	E	4	4	4	4	4	4
	D	3	3	3	3	3	3
	C	3	3	3	3	3	3
	B	3	3	3	3	3	3
	A	19	19	19	19	19	19
89006-X53LF	E	6	6	6	6	6	6
	D	6	6	6	6	6	6
	C	6	6	6	6	6	6
	B	6	6	6	6	6	6
	A	8	8	8	8	8	8
89006-X57LF	E	6	6	6	6	6	6
	D	7	7	7	7	7	7
	C	6	6	6	6	6	6
	B	6	6	6	6	6	6
	A	7	7	7	7	7	7
89006-X37LF	E	10	10	10	10	10	10
	D	10	10	10	10	10	10
	C	10	10	10	10	10	10
	B	10	10	10	10	10	10
	A	21	21	21	21	21	21
89006-X42LF	E	2	2	2	2	2	2
	D	4	4	4	4	4	4
	C	4	4	4	4	4	4
	B	3	3	3	3	3	3
	A	4	4	4	4	4	4
89006-X46LF	E	2	2	2	2	2	2
	D	2	2	2	2	2	2
	C	4	4	4	4	4	4
	B	2	2	2	2	2	2
	A	2	2	2	2	2	2
89006-X50LF	E	6	6	6	6	6	6
	D	6	6	6	6	6	6
	C	6	6	6	6	6	6
	B	8	8	8	8	8	8
	A	6	6	6	6	6	6
89006-X54LF	E	5	5	5	5	5	5
	D	7	7	7	7	7	7
	C	8	8	8	8	8	8
	B	7	7	7	7	7	7
	A	5	5	5	5	5	5
89006-X39LF	E	12	12	12	12	12	12
	D	12	12	12	12	12	12
	C	12	12	12	12	12	12
	B	12	12	12	12	12	12
	A	12	12	12	12	12	12
89006-X43LF	E	2	2	2	2	2	2
	D	2	2	2	2	2	2
	C	2	2	2	2	2	2
	B	2	2	2	2	2	2
	A	4	4	4	4	4	4
89006-X47LF	E	2	2	2	2	2	2
	D	3	3	3	3	3	3
	C	2	2	2	2	2	2
	B	2	2	2	2	2	2
	A	3	3	3	3	3	3
89006-X51LF	E	6	6	6	6	6	6
	D	5	5	5	5	5	5
	C	6	6	6	6	6	6
	B	6	6	6	6	6	6
	A	7	7	7	7	7	7
89006-X55LF	E	5	5	5	5	5	5
	D	20	20	20	20	20	20
	C	5	5	5	5	5	5
	B	20	20	20	20	20	20
	A	5	5	5	5	5	5
89006-X40LF	E	2	2	2	2	2	2
	D	2	2	2	2	2	2
	C	2	2	2	2	2	2
	B	4	4	4	4	4	4
	A	2	2	2	2	2	2
89006-X44LF	E	1	1	1	1	1	1
	D	3	3	3	3	3	3
	C	4	4	4	4	4	4
	B	3	3	3	3	3	3
	A	1	1	1	1	1	1
89006-X48LF	E	19	19	19	19	19	19
	D	19	19	19	19	19	19
	C	19	19	19	19	19	19
	B	19	19	19	19	19	19
	A	19	19	19	19	19	19
89006-X52LF	E	6	6	6	6	6	6
	D	8	8	8	8	8	8
	C	8	8	8	8	8	8
	B	7	7	7	7	7	7
	A	8	8	8	8	8	8
89006-X56LF	E	6	6	6	6	6	6
	D	6	6	6	6	6	6
	C	8	8	8	8	8	8
	B	6	6	6	6	6	6
	A	6	6	6	6	6	6
89006-X60LF	E	10	10	10	10	10	10
	D	10	10	10	10	10	10
	C	10	10	10	10	10	10
	B	12	12	12	12	12	12
	A	10	10	10	10	10	10

spec ref	*	dr	Terran Huang	2010/07/09	projection	mm	size	A4	scale	1:1						
tolerance std	ISO 406 ISO 1101	eng	Narayanan, Aru	2018/07/12			ecn no	ELX-I-30699-1								
surface	3.200 ✓ ISO 1302	chr	-	-				rel level	Released							
	linear	appr	K-Paul Biju	2018/07/13	product family	METRAL			rev	BM						
	0.X ±0.3	Amphenol FCI			METRAL SIGNAL HEADER			dwg no 89006								
	0.XX ±0.13										www.fci.com			cat. no. - Product - Customer Drw		
	0.XXX ±0.050															
	angular 0° ±2°															

A

B

C

D

METRAL P/N	ROW	CONTACT CODE MOD. I						METRAL P/N	ROW	CONTACT CODE MOD. I						METRAL P/N	ROW	CONTACT CODE MOD. I						METRAL P/N	ROW	CONTACT CODE MOD. I						METRAL P/N	ROW	CONTACT CODE MOD. I													
		1	2	3	4	5	6			1	2	3	4	5	6			1	2	3	4	5	6			1	2	3	4	5	6			1	2	3	4	5	6	1	2	3	4	5	6		
89006-X61LF	E	10	10	10	10	10	10	89006-X65LF	E	9	9	9	9	9	9	89006-X69LF	E	12	12	12	12	12	12	89006-X73LF	E	4	4	4	4	4	4	89006-X77LF	E	3	3	3	3	3	3	89006-X81LF	E	7	7	7	7	7	7
	D	9	9	9	9	9	9		D	21	21	21	21	21	D		11	11	11	11	11	11	D		4	4	4	4	4	4	D		19	19	19	19	19	D	20		20	20	20	20			
	C	10	10	10	10	10	10		C	9	9	9	9	9	C		11	11	11	11	11	11	C		4	4	4	4	4	4	C		4	4	4	4	4	4	C		7	7	7	7	7	7	
	B	10	10	10	10	10	10		B	21	21	21	21	21	B		11	11	11	11	11	11	B		4	4	4	4	4	4	B		3	3	3	3	3	3	B		20	20	20	20	20	20	
	A	11	11	11	11	11	11		A	9	9	9	9	9	A		21	21	21	21	21	21	A		13	13	13	13	13	13	A		3	3	3	3	3	3	A		7	7	7	7	7	7	

spec ref	*	dr	Terran Huang	2010/07/09	projection		size	A4	scale	1:1	
tolerance std	ISO 406 ISO 1101	eng	Narayanan, Aru	2018/07/12	chr	-	ecn no	ELX-I-30699-1			
surface	3.200 ✓ ISO 1302	appr	K-Paul Biju	2018/07/13	product family	METRAL		rel level	Released		
	linear	0.X	±0.3	Amphenol FCI	METRAL SIGNAL HEADER 1 MOD, 5 ROW PRESS-FIT			dwg no	89006		rev
		0.XX	±0.13								
		0.XXX	±.050								
	angular	0°	±2°	www.fci.com	cat. no.	-	Product - Customer Drw		sheet 5 of 9		

A

B

C

D

METRAL P/N	ROW	CONTACT CODE MOD. I					
		1	2	3	4	5	6
89006-X85LF	E	7	7	7	7	7	7
	D	7	7	7	7	7	7
	C	6	6	6	6	6	6
	B	7	7	7	7	7	7
	A	7	7	7	7	7	7

spec ref	*	dr	Terran Huang	2010/07/09	projection	mm	size	A4	scale	1:1	
tolerance std	ISO 406 ISO 1101	eng	Narayanan, Aru	2018/07/12			ecn no	ELX-I-30699-1			
TOLERANCES UNLESS OTHERWISE SPECIFIED		chr	-	-				rel level	Released		
surface	3.200 ✓ ISO 1302	appr	K-Paul Biju	2018/07/13	product family			METRAL		rev	BM
	0.X ±0.3 0.XX ±0.13 0.XXX ±.050 angular 0° ±2°	Amphenol FCI www.fci.com			METRAL SIGNAL HEADER 1 MOD, 5 ROW PRESS-FIT			dwg no		89006	
					cat. no.	Product - Customer Drw			sheet 6 of 9		

A

B

C

D

METRAL P/N	ROW	CONTACT CODE MOD. I					
		1	2	3	4	5	6
89006-X109LF	E	59	59	59	59	59	59
	D	59	59	59	59	59	59
	C	59	59	59	59	59	59
	B	59	59	59	59	59	59
	A	77	77	77	77	77	77
89006-X113LF	E	66	66	66	66	66	65
	D	66	66	66	66	66	66
	C	66	66	66	66	66	66
	B	66	66	66	66	66	66
	A	66	66	66	66	66	66
89006-X117LF	E	66	66	66	66	66	66
	D	66	66	66	66	66	66
	C	66	66	66	66	66	66
	B	66	66	66	66	66	66
	A	66	66	66	66	66	66
89006-X121LF	E	86	66	66	66	66	66
	D	86	66	66	66	66	66
	C	56	66	66	66	66	66
	B	86	66	66	66	66	66
	A	86	66	66	66	66	66
89006-X125LF	E	66	66	66	66	66	66
	D	66	66	66	66	66	66
	C	20	20	20	20	20	20
	B	66	66	66	66	66	66
	A	66	66	66	66	66	66
89006-X129LF	E	22	22	22	22	44	44
	D	22	22	22	22	44	44
	C	22	22	22	22	44	42
	B	22	22	22	22	44	44
	A	22	22	22	22	22	21
89006-X110LF	E	32	22	22	22	22	22
	D	32	22	22	22	22	22
	C	32	22	22	22	22	22
	B	32	22	22	22	22	22
	A	32	22	22	22	22	22
89006-X114LF	E	42	23	32	42	42	42
	D	42	23	32	42	42	42
	C	42	23	32	42	42	42
	B	42	23	32	42	42	42
	A	42	23	32	42	42	42
89006-X118LF	E	86	66	66	66	66	66
	D	86	66	66	66	66	66
	C	86	66	66	66	66	66
	B	86	66	66	66	66	66
	A	86	66	66	66	66	66
89006-X122LF	E	33	32	22	22	22	22
	D	22	22	22	22	22	22
	C	22	22	22	22	22	22
	B	22	22	22	22	22	22
	A	22	22	22	22	22	22
89006-X126LF	E	22	24	42	22	22	22
	D	22	24	42	22	22	22
	C	22	24	42	22	22	22
	B	22	24	42	22	22	22
	A	22	24	42	22	22	22
89006-X130LF	E	22	22	22	22	22	22
	D	44	44	44	44	44	44
	C	44	44	44	44	44	44
	B	44	44	44	44	44	44
	A	22	22	22	22	22	22
89006-X111LF	E	22	22	22	22	23	23
	D	22	22	22	22	23	23
	C	22	22	22	22	23	23
	B	22	22	22	22	23	23
	A	22	22	22	22	23	23
89006-X115LF	E	22	22	12	22	22	22
	D	22	22	12	22	22	22
	C	22	22	12	22	22	22
	B	22	22	12	22	22	22
	A	12	22	12	22	22	22
89006-X119LF	E	22	22	22	22	22	22
	D	22	22	22	22	22	22
	C	12	22	22	22	22	22
	B	12	22	22	22	22	22
	A	12	22	22	22	22	22
89006-X123LF	E	22	22	22	22	22	22
	D	22	22	22	22	22	22
	C	19	19	19	19	19	19
	B	22	22	22	22	22	22
	A	22	22	22	22	22	22
89006-X127LF	E	22	42	22	22	22	22
	D	24	42	22	22	22	22
	C	24	42	22	22	22	22
	B	24	42	22	22	22	22
	A	22	42	22	22	22	22
89006-X131LF	E	86	66	86	66	66	66
	D	86	66	86	66	66	66
	C	88	88	88	56	66	66
	B	86	66	86	66	66	66
	A	86	66	86	66	66	66
89006-X112LF	E	76	66	66	66	66	66
	D	76	66	66	66	66	66
	C	76	66	66	66	66	66
	B	76	66	66	66	66	66
	A	76	66	66	66	66	66
89006-X116LF	E	56	66	66	66	66	66
	D	56	66	66	66	66	66
	C	56	66	66	66	66	66
	B	56	66	66	66	66	66
	A	56	66	66	66	66	66
89006-X120LF	E	22	22	22	22	42	42
	D	22	22	22	22	42	42
	C	22	22	22	22	42	42
	B	22	22	22	22	42	42
	A	22	22	22	22	42	42
89006-X124LF	E	22	22	12	22	22	22
	D	22	22	22	22	22	22
	C	22	22	22	22	22	22
	B	22	22	22	22	22	22
	A	22	22	22	22	22	22
89006-X128LF	E	22	22	42	22	22	22
	D	22	22	42	42	22	22
	C	22	22	42	42	22	22
	B	22	22	42	42	22	22
	A	22	22	42	42	22	22
89006-X132LF	E	86	76	66	66	66	66
	D	86	76	66	66	66	66
	C	56	66	86	66	66	66
	B	88	78	86	66	66	66
	A	88	78	86	66	66	66

spec ref	*	dr	Terran Huang	2010/07/09	projection	mm	size	A4	scale	1:1
tolerance std	ISO 406 ISO 1101	eng	Narayanan, Aru	2018/07/12			ecn no	ELX-I-30699-1		
TOLERANCES UNLESS OTHERWISE SPECIFIED		chr	-	-				rel level	Released	
surface	3.200 ✓ ISO 1302	appr	K-Paul Biju	2018/07/13	product family		METRAL		rev	BM
	0.X ±0.3 0.XX ±0.13 0.XXX ±.050	Amphenol FCI		part no			89006		89006	
	angular 0° ±2°	www.fci.com		cat. no.			-		Product - Customer Drw	
							sheet 7 of 9			

A

B

C

D

METRAL P/N	ROW	CONTACT CODE MOD. I						METRAL P/N	ROW	CONTACT CODE MOD. I						METRAL P/N	ROW	CONTACT CODE MOD. I						METRAL P/N	ROW	CONTACT CODE MOD. I						METRAL P/N	ROW	CONTACT CODE MOD. I																										
		1	2	3	4	5	6			1	2	3	4	5	6			1	2	3	4	5	6			1	2	3	4	5	6			1	2	3	4	5	6	1	2	3	4	5	6															
89006-X133LF	E	2	2	2	2	2	89006-X137LF	E	2	2	2	3	3	2	89006-X141LF	E	1	1	1	1	3	3	89006-X145LF	E	5	5	1	1	7	5	89006-X149LF	E	2	2	2	2	2	1	89006-X153LF	E	2	2	2	2	2	2														
	D	2	2	2	2	2		D	2	2	2	3	3	2		D	1	1	1	1	3	3		D	5	5	1	1	7	5		D	2	2	2	2	2	2		D	2	2	2	2	2	2														
	C	2	2	2	2	2		C	2	2	2	3	3	2		C	3	3	3	3	3	3		C	5	5	1	1	7	7		C	2	2	2	2	2	2		C	2	2	2	2	2	2	C	2	2	2	2	2	2							
	B	2	2	2	2	2		B	2	2	2	3	3	2		B	1	1	1	1	3	1		B	5	5	1	1	7	5		B	2	2	2	2	2	2		B	2	2	2	2	2	2	B	2	2	2	2	2	2	B	2	2	2	2	2	2
	A	2	2	1	2	2		2	A	2	2	2	3	3		2	A	1	1	1	1	3		1	A	5	5	1	1	7		5	A	2	2	2	2	2		2	A	2	2	2	2	2	2	A	2	2	2	2	2	2	A	4	2	2	2	2

A

B

C

D

spec ref	*	dr	Terran Huang	2010/07/09	projection	mm	size	A4	scale	1:1		
tolerance std	ISO 406 ISO 1101	eng	Narayanan, Aru	2018/07/12			ecn no	ELX-I-30699-1				
surface	3.200 ✓ ISO 1302	chr	-	-			product family	METRAL			rel level	Released
	near	appr	K-Paul Biju	2018/07/13	product family	METRAL			rel level	Released		
	angular				product family	METRAL			rel level	Released		
	0.X	±0.3	Amphenol FCI	METRAL SIGNAL HEADER			dwg no	89006			rev	BM
	0.XX	±0.13		1 MOD, 5 ROW PRESS-FIT								
	0.XXX	±.050		www.fci.com			cat. no.	-			Product - Customer Drw	sheet 8 of 9

PRODUCT NUMBER

89006-XYLFL

NOTES:

1. FOR DIM A AND B SEE SHEET 2 AND UP.
2. BODY MATERIAL: LIQUID CRYSTAL
POLYMER 30 % GLASS.
FLAME RETARDANT ACC. UL 94-V0.
3. PIN MATERIAL:
PHOSPHOR BRONZE.
4. PLATING ON PRESS-FIT TAIL:
73931-XYLFL IS SN (LEAD FREE)
PLATING ON CONTACT AREA CONFORMS TO PERFORMANCE
LEVEL SHOWN IN TABLE BELOW.

PLATING IN CONTACT AREA		
DASH NUMBER	PERFORMANCE LEVEL	NOTES
-NIYY	TELCORDIA CO (NXT) IEC CLASS I	SEE NOTE 9
-N5YFLF	TELCORDIA UE (NXT)	SEE NOTE 9
-IYYLF	TELCORDIA CO IEC CLASS I	SEE NOTE 9
-2YYLF	TELECOM CLASS	SEE NOTE 9
-5YYLF	TELCORDIA UE	SEE NOTE 9

5. PRODUCT MARKING:
PART NUMBER DESIGNATION & BATCH I.D.

6. ALL PRODUCTS WITH PART NUMBERS SHOWN IN
SUBSEQUENT TABLES WILL BE PACKAGED IN TUBES.
IF TRAY PACKAGING IS REQUIRED, A SUFFIX "P"
WILL BE ADDED TO THE END OF THE PART NUMBER.
EXAMPLE: XXXXX-XXXP

7. PRODUCT SPECIFICATION GS-12-180
APPLICATION SPECIFICATION BUS-20-073

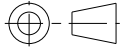
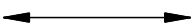
8. AFTER INSERTION INTO CIRCUIT BOARD WITH
QUALIFIED TOOL.

9. THE PRODUCTS WHERE THE PART NUMBER ENDS IN LF MEET THE
EUROPEAN UNION DIRECTIVES AND OTHER COUNTRY REGULATIONS
AS DESCRIBED IN GS-47-0004.

ALL PRODUCTS EXCEPT THOSE WITH PART NUMBERS CONTAINING
(DRAWING NO.)-NI--- OR (DRAWING NO.)-N5---WILL WITHSTAND EXPOSURE
TO 260°C FOR 60 SECONDS IN A CONVECTION, INFRA-RED OR
VAPOR PHASE REFLOW OVEN. PART NUMBERS (DRAWING NO.)-NI---
AND (DRAWINGS NO.)-N5---WILL NOT WITHSTAND REFLOW AND Au CONTACT
SURFACE OF THE CONTACTS SHALL BE EXPOSED TO A MAXIMUM 140°C FOR
NO LONGER THAN 15 SECONDS IN A WAVE SOLDER APPLICATION.

10. -A PLATING HAS Au FLASH IN PRESS FIT AREA (LEAD FREE)

11. A  SYMBOL WILL BE NEXT TO ANY DIMENSION, VIEW, OR NOTE
WHICH HAS BEEN MODIFIED WITH THE CURRENT DRAWING REVISION.

spec ref *		dr	Terran Huang	2010/07/09	projection 	mm 	size	A4	scale	1:1								
tolerance std		eng	Narayanan, Aru	2018/07/12			ecn no	ELX-I-30699-1										
ISO 406 ISO 1101		chr	-	-			rel level	Released										
TOLERANCES UNLESS OTHERWISE SPECIFIED		appr	K-Paul Biju	2018/07/13	product family		METRAL											
surface	3.200	linear	0.X	±0.3	Amphenol FCI	title	METRAL SIGNAL HEADER				dwg no	89006	rev					
	ISO 1302	angular	0.XX	±0.13										www.fci.com	cat. no.	-	Product - Customer Drw	sheet 9 of 9
			0.XXX	±0.050														
		angular	0°	±2°														