



Chipsmall Limited consists of a professional team with an average of over 10 year of expertise in the distribution of electronic components. Based in Hongkong, we have already established firm and mutual-benefit business relationships with customers from,Europe,America and south Asia,supplying obsolete and hard-to-find components to meet their specific needs.

With the principle of “Quality Parts,Customers Priority,Honest Operation,and Considerate Service”,our business mainly focus on the distribution of electronic components. Line cards we deal with include Microchip,ALPS,ROHM,Xilinx,Pulse,ON,Everlight and Freescale. Main products comprise IC,Modules,Potentiometer,IC Socket,Relay,Connector.Our parts cover such applications as commercial,industrial, and automotives areas.

We are looking forward to setting up business relationship with you and hope to provide you with the best service and solution. Let us make a better world for our industry!



## Contact us

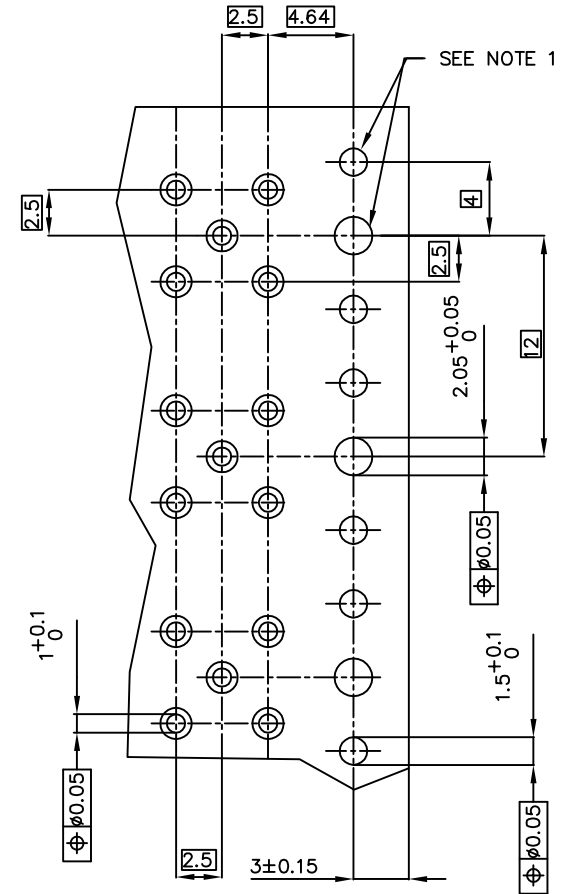
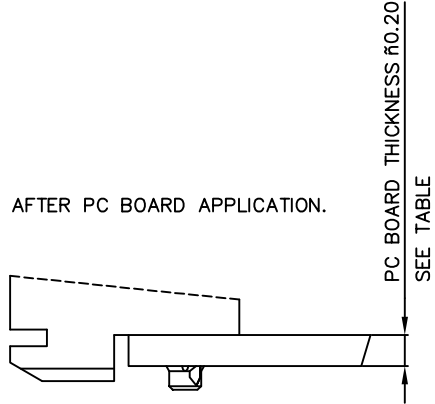
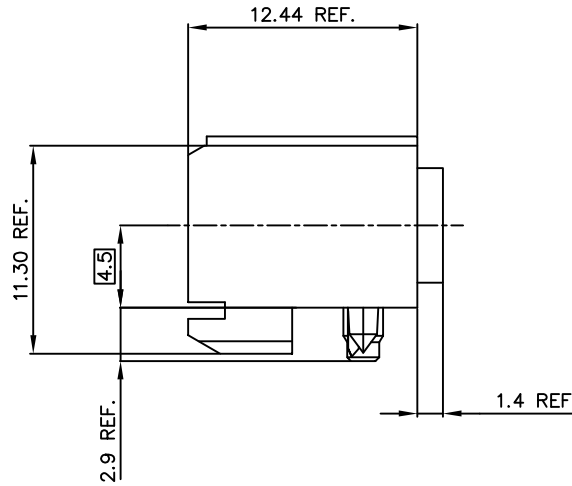
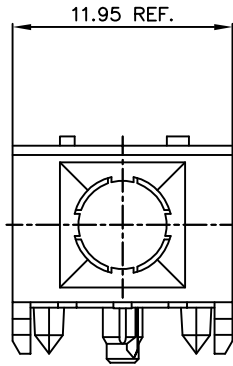
Tel: +86-755-8981 8866 Fax: +86-755-8427 6832

Email & Skype: info@chipsmall.com Web: www.chipsmall.com

Address: A1208, Overseas Decoration Building, #122 Zhenhua RD., Futian, Shenzhen, China



PRODUCT #	PCB THICKNES
89092-101LF	1.6 & 2.4



RECOMMENDED HOLE PATTERN,  
COMPONENT SIDE.

NOTES:

- INDICATED HOLES ARE UNPLATED.
- MATERIAL: LIQUID CRYSTAL POLYMER 30% GLASS FLAME RETARDANT ACC. UL 94-00 COLOR NATURAL.
- THIS PRODUCT WITH "LF" SUFFIX MEETS EUROPEAN UNION DIRECTIVES AND OTHER COUNTRY REGULATIONS AS DESCRIBED IN GS -22-008.
- THE HOUSING WILL WITHSTAND EXPOSURE TO 260 DEGREE PEAK TEMPERATURE FOR 20 SECONDS IN WAVE SOLDER APPLICATION WITH A 1.6 MM MINIMUM THICK CIRCUIT BOARD.

mat'l. code		tolerances unless otherwise specified		CUSTOMER COPY		ELECTRONICS	
SEE NOTE 2						www.fciconnect.com	
ltr	ecn no	dr	date	linear	projection	title	code
A	H40355	DOB	940616			RA FEMALE HSG	213
B	H50047	RVI	950119			HYBRID 12MM PRESS PEG	1 of 1
C	H90478	DOB	990816	angles		product family	
D	p005-0383	CLU	051011	dr	H.Bouwknegt	931206	
E	p005-0406	CLU	051027	eng	D.Andrews	931206	
				chr	D.Andrews	950119	
				app	H.Coolijmans	950119	
sheet	revision			scale			
index	sheet			size			

PDM: Rev: E

STATUS: Released

Printed: May 19, 2011