



Chipsmall Limited consists of a professional team with an average of over 10 year of expertise in the distribution of electronic components. Based in Hongkong, we have already established firm and mutual-benefit business relationships with customers from,Europe,America and south Asia,supplying obsolete and hard-to-find components to meet their specific needs.

With the principle of “Quality Parts,Customers Priority,Honest Operation,and Considerate Service”,our business mainly focus on the distribution of electronic components. Line cards we deal with include Microchip,ALPS,ROHM,Xilinx,Pulse,ON,Everlight and Freescale. Main products comprise IC,Modules,Potentiometer,IC Socket,Relay,Connector.Our parts cover such applications as commercial,industrial, and automotives areas.

We are looking forward to setting up business relationship with you and hope to provide you with the best service and solution. Let us make a better world for our industry!



## Contact us

Tel: +86-755-8981 8866 Fax: +86-755-8427 6832

Email & Skype: info@chipsmall.com Web: www.chipsmall.com

Address: A1208, Overseas Decoration Building, #122 Zhenhua RD., Futian, Shenzhen, China



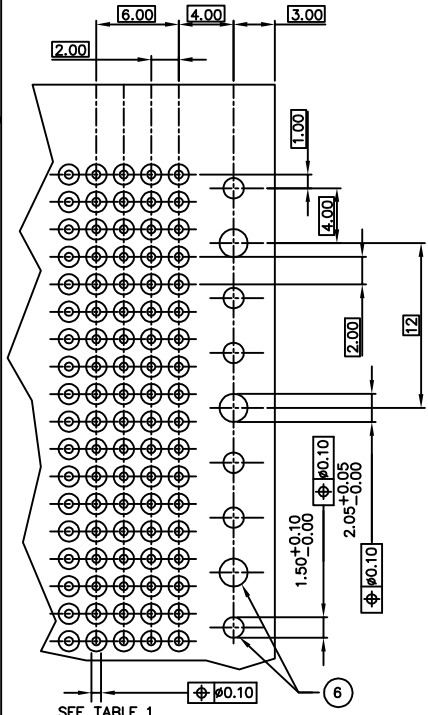
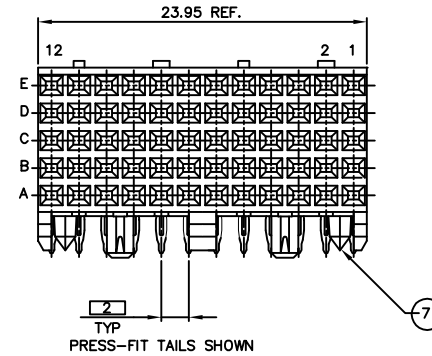
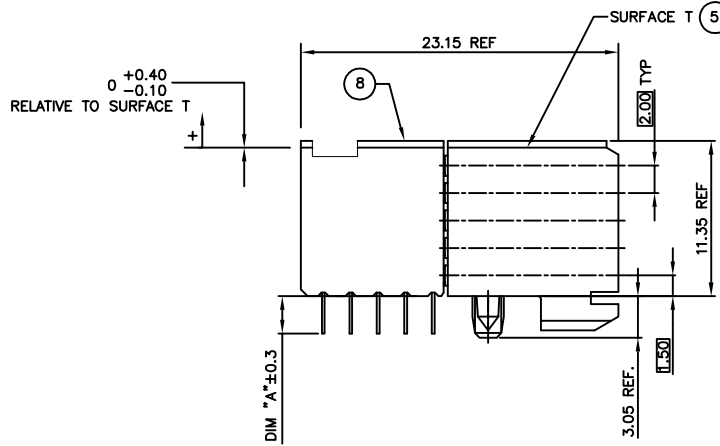
Tous droits strictement réservés. Reproduction ou communication a des tiers interdite sous quelque forme que ce soit sans autorisation écrite du propriétaire. Propriete de c FCI. Droits de reproduction FCI.



All rights strictly reserved. Reproduction or issue to third parties in any form whatever is not permitted without written authority from the proprietor. Property of FCI. Copyright FCI.

PRODUCT NUMBER	PEG TYPE	TAIL TYPE	TAIL LGTH. DIM "A"	PCB THICKNESS	LOADING CONFIGURATION
89093-X02	PRESS	PRESS-FIT	2.90	1.6	FULLY LOADED
89093-X12	PRESS	PRESS-FIT	3.53	2.4	FULLY LOADED
89093-X02LF	PRESS	PRESS-FIT	2.90	1.6	FULLY LOADED
89093-X12LF	PRESS	PRESS-FIT	3.53	2.4	FULLY LOADED

PLATING CONTACT AREA:	
DASH NR:	PERFORMANCE LEVEL
-1YY/1YYLF	TELCORDIA CO
-2YY/2YYLF	CUSTOMER SPECIAL
-3YY/3YYLF	CUSTOMER SPECIAL



HOLE DIAMETER AFTER PLATING	0.65-0.80
DRILLED HOLE	0.81-0.86 (0.85 DRILL)
COPPER PLATING	0.025 - 0.05
SnPb PLATING	0.005-0.015

- NOTES:
- CONNECTOR MATERIALS:  
HOUSING: LCP, 30% GLASS FILLED, UL 94-V0 COMPLIANT  
TERMINAL: PHOSPHOR BRONZE ALLOY
  - TAIL PLATING:  
PRESS-FIT TYPE: 0.5-1.5 um TIN LEAD
  - PRODUCT SPECIFICATION:  
GS-12-002
  - APPLICATION SPECIFICATIONS:  
BUS-20-061  
GS-20-001  
TA-941
  - PRODUCT MARKING: (PART NUMBER & LOT CODE).
  - INDICATED HOLES ARE UNPLATED.
  - DIAMOND LOCATION PEG ARE ONLY EXISTED ON THE BOTH SIDES OF PRODUCT.
  - TOP SURFACE OF PRESS BLOCK MAY EXTEND UP TO 0.4MM HIGHER THAN HOUSING, THIS MAY AFFECT THE TAIL LENGTH BEFORE APPLICATION TO A BOARD.
  - THESE PRODUCTS WHERE THE PART NUMBER ENDS IN "LF" MEET THE EUROPEAN UNION DIRECTIVES AND OTHER COUNTRY REGULATIONS AS DESCRIBED IN GS-22-008.
- ALL PRODUCTS WILL WITHSTAND EXPOSURE TO 240°C FOR 60 SECONDS IN A CONVECTION, INFAR-RED OR VAPOR PHASE REFLOW OVEN.
10. FOR LEAD FREE PART NUMBERS ADD "LF" SUFFIX. EXAMPLE: 89093-XYLF.

mat'l. code				tolerances unless otherwise specified		CUSTOMER COPY		www.fciconnect.com	
NOTE 1				linear		projection	title		
ltr	ecn no	dr	date				B SERIES R/A SIGNAL RECEPT ASSY, 5 ROW, 2 MOD, PF		
N	DG06-0510	Cenh	12/06/06	angles		MM	product family		code
P	DG07-0168	Cenh	05/10/07				METRAL		213
R	DG08-0171	TER	8/26/08	dr	C. DAILY	06/18/02	size		sheet
S	DG09-0068	Cenh	06/06/09				dwg no		
L	V05-0074	LP	4/12/05	enrg	M. GRAY	06/18/02	89093		
M	J05-0320	TAB	6/08/05	chr	M. GRAY	06/18/02	A		
sheet index		revision	S	appd	M. GRAY	06/18/02	scale		
		sheet	1			1:1			

ACAD

PDM: Rev:S

cage code  
22526

STATUS: Released

Printed: May 19, 2011