



Chipsmall Limited consists of a professional team with an average of over 10 year of expertise in the distribution of electronic components. Based in Hongkong, we have already established firm and mutual-benefit business relationships with customers from,Europe,America and south Asia,supplying obsolete and hard-to-find components to meet their specific needs.

With the principle of “Quality Parts,Customers Priority,Honest Operation,and Considerate Service”,our business mainly focus on the distribution of electronic components. Line cards we deal with include Microchip,ALPS,ROHM,Xilinx,Pulse,ON,Everlight and Freescale. Main products comprise IC,Modules,Potentiometer,IC Socket,Relay,Connector.Our parts cover such applications as commercial,industrial, and automotives areas.

We are looking forward to setting up business relationship with you and hope to provide you with the best service and solution. Let us make a better world for our industry!



Contact us

Tel: +86-755-8981 8866 Fax: +86-755-8427 6832

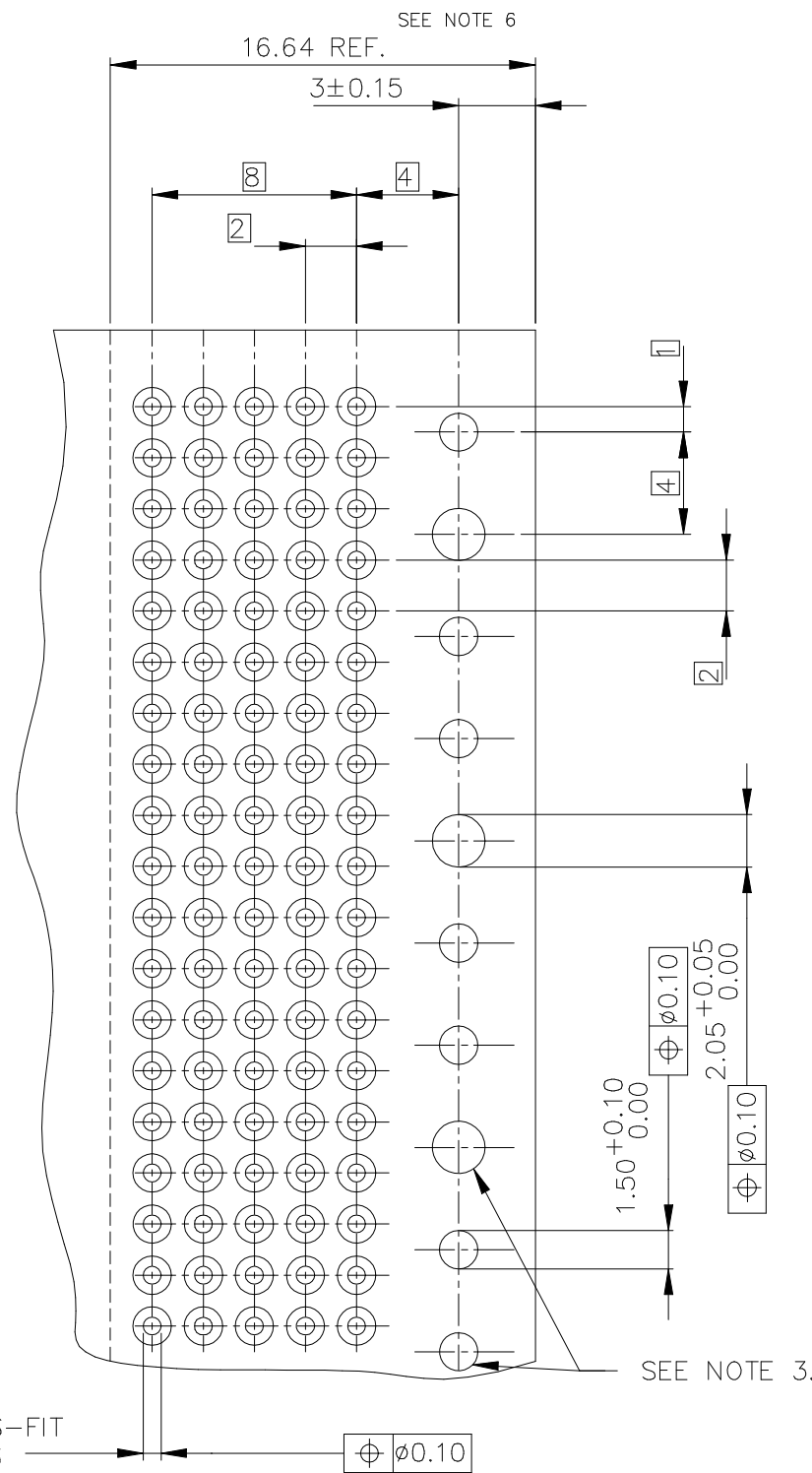
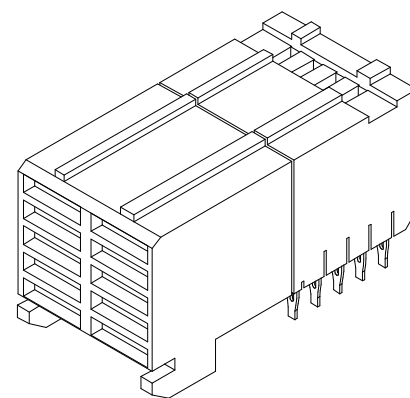
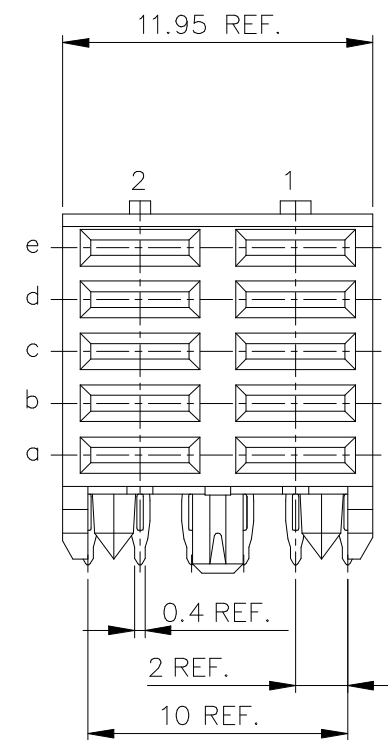
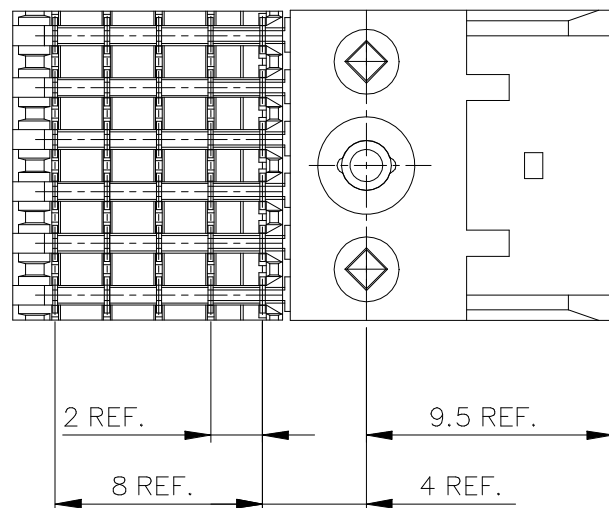
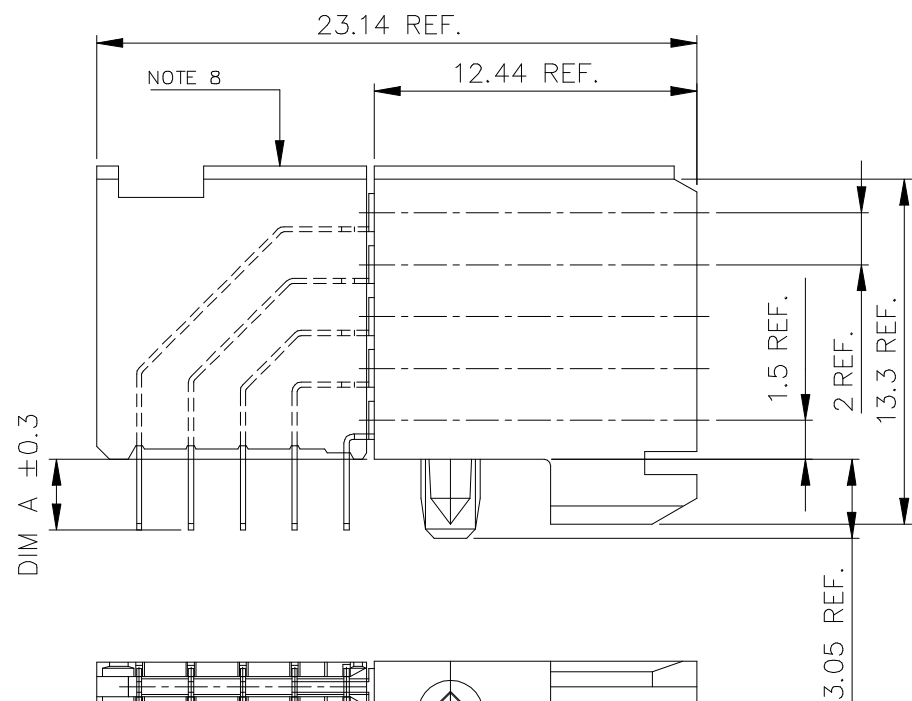
Email & Skype: info@chipsmall.com Web: www.chipsmall.com

Address: A1208, Overseas Decoration Building, #122 Zhenhua RD., Futian, Shenzhen, China



PC BOARD VERSIONS		
PRODUCT NR	PCB THICKNESS	DIM A
89096-X02	1.6	2.90
89096-X12	2.4	3.53
89096-X02LF	1.6	2.90
89096-X12LF	2.4	3.53

PRESS-FIT HOLES	
HOLE DIAMETER	
AFTER PLATING	0.65-0.80
DRILLED HOLE	0.81-0.86
COPPER PLATING	0.025 MIN.
SnPb PLATING	0.005-0.015



- NOTES:
- BODY MAT'L: LIQUID CRYSTAL POLYMER 30% GLASS
FLAME RETARDANT ACC. UL 94-V0
 - TERMINAL MATERIAL: PHOSPHOR BRONZE.
 - INDICATED HOLES ARE UNPLATED.
 - PLATING OF COMPLIANT SECTIONS 0.5-1.5 um SnPb 85-97
IF THE PART NUMBER WAS ADDED A SUFFIX "LF", SO THE
PLATING OF COMPLIANT SECTIONS 0.5-1.5 um PURE Sn.
 - PRODUCT MARKING: PART NUMBER & BATCH ID.
 - SET BACK FOR PRESS BLOCK
 - SEE TA-941 FOR -XY2 APPLICATION TOOLING
 - TOP SURFACE OF PRESS BLOCK MAY EXTEND UP TO 0.4MM
HIGHER THAN HOUSING. THIS MAY AFFECT THE TAIL LENGTH
BEFORE APPLICATION TO A BOARD.
 - CURRENT RATING: 3 AMP PER PIN.
 - THIS PRODUCT MEETS EUROPEAN UNION DIRECTIVES AND OTHER
COUNTRY REGULATIONS AS DESCRIBED IN GS-22-008.
 - THE HOUSING WILL WITHSTAND EXPOSURE TO 260 DEGREE PEAK
TEMPERATURE FOR 10 SECOND IN A WAVE SOLDER APPLICATION.
 - FOR THE PRODUCT WITH 30u" GOLD PLATING IN TERMINAL,
THEY CAN BE REPLACED BY 30 GXT PLATING.

PLATING CONTACT AREA:	
DASH NR:	PERFORMANCE LEVEL
-1YY	TELCORDIA CO
-2YY	CUSTOMER SPECIAL
-3YY	CUSTOMER SPECIAL
-9YY	TELCORDIA CO
-1YYLF	TELCORDIA CO
-2YYLF	CUSTOMER SPECIAL
-3YYLF	CUSTOMER SPECIAL
-9YYLF	TELCORDIA CO

mat'l. code				surface <input checked="" type="checkbox"/> ISO 1302		tolerance <input checked="" type="checkbox"/> ISO 406 <input checked="" type="checkbox"/> ISO 1101		projection		product family METRAL (tm)	
ltr ecn no dr date				tolerances unless otherwise specified		MM		title		RA PF 12mm ASSEMBLY	
F	DG04-0066	CLu	041201					scale 1:1		sheet 1 of 1 size	
G	DG07-0458	Cenh	11/15/07	angles linear						89096 A3	
H	DG08-0171	TER	8/21/08							type Product Customer Drawing	
J	ELX-N-21776	Nick	8/26/15	dr	H v Woensel	931004					
K	ELX-N-26608	MZ	3/28/17	enr	H v Woensel	931004					
				chr	E Feijen	931004					
				appd	H v Woensel	931004					
sheet index		revision sheet		k 1							