



Chipsmall Limited consists of a professional team with an average of over 10 year of expertise in the distribution of electronic components. Based in Hongkong, we have already established firm and mutual-benefit business relationships with customers from,Europe,America and south Asia,supplying obsolete and hard-to-find components to meet their specific needs.

With the principle of “Quality Parts,Customers Priority,Honest Operation,and Considerate Service”,our business mainly focus on the distribution of electronic components. Line cards we deal with include Microchip,ALPS,ROHM,Xilinx,Pulse,ON,Everlight and Freescale. Main products comprise IC,Modules,Potentiometer,IC Socket,Relay,Connector.Our parts cover such applications as commercial,industrial, and automotives areas.

We are looking forward to setting up business relationship with you and hope to provide you with the best service and solution. Let us make a better world for our industry!



Contact us

Tel: +86-755-8981 8866 Fax: +86-755-8427 6832

Email & Skype: info@chipsmall.com Web: www.chipsmall.com

Address: A1208, Overseas Decoration Building, #122 Zhenhua RD., Futian, Shenzhen, China



CT48A CT48A Part number 89420087



- Input by J-K thermo-couple or by thermo-resistance Pt 100 (2-wire)
- 2 regulation modes : ON/OFF or proportional derivative selected by wiring
- Relay output

Part numbers

	Type	Description	Temperatures	Scale divisions
89 420 087	CT48A	Termocouple K	0 + 1200	20 °C

Specifications

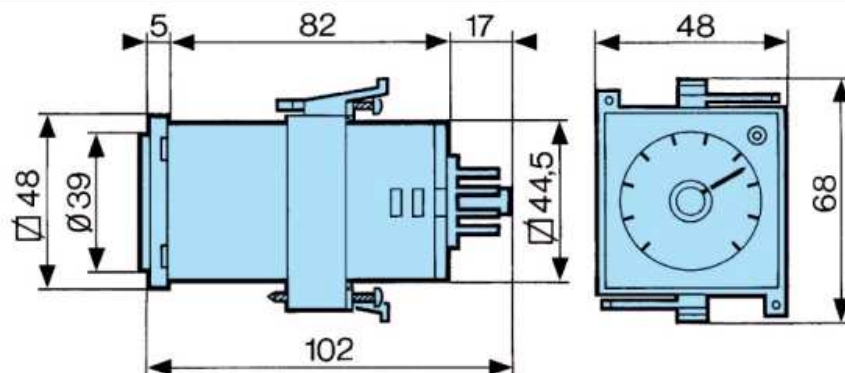
Supply voltage Un	230 to 240 VAC 50/60 Hz
Operating range	0,85 to 1,15 x Un
Maximum power consumption	2 VA
Thermocouple according to IEC 584	J - K
Automatic cold-junction compensation	For J - K : semi-conductor
Max. line resistance	150 Ω
Resist. temp. detector Pt 100 according to IEC 751	2-wire
Derating following line resistance	1 °C / 0,4 Ω
Derating with regard to the setpoint	J - K : ≤ 1 °C
Per 10 °C variation in ambient temperature	Pt 100 : ≤ 0,1 °C
Derating with regard to the setpoint	J - K : ≤ 1 °C
Per 10 Ω of line resistance variation	
Derating with regard to the setpoint	≤ 0,1 %
Per 10% variation in supply voltage	
ON/OFF output action	
Fixed hysteresis	0,4 %
Derived proportional output action	
Fixed proportional band (% of full scale)	3 %
Derived proportiona output action	
Period proportional band	22 s
Changeover relay	5 A / 250 V AC max.
Mechanical life (operations)	3x10 ⁵
Behaviour in the event of sensor failure	Relay in rest position
Scale evolution	80 mm
Display accuracy J-K (full scale)	± 2 %
Display accuracy Pt 100 (of the full scale)	± 1,5 %
Operating temperature range (°C)	0 ° → +55
Storage temperature range (°C)	-20 → +70
Insulation according to standard VDE 0110	Group C for 250
Protection class according to DIN 40050 Casing	IP20
Protection class according to DIN 40050 Front panel	IP41
Mounting	Clip
Connection	Solder terminals socket, 8 poles
Weight (g)	350

Accessories

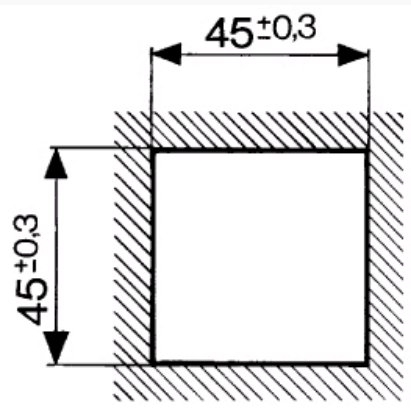
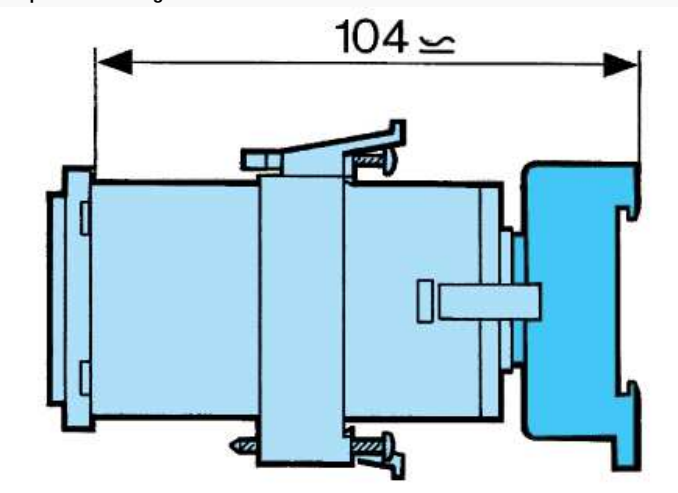
Accessories	Code
Solder tag connector 8-pin	25 622 301
*** TRADUCTION MANQUANTE ***	25 622 303
Protective cover IP 54	79 237 709

Dimensions (mm)

Dimensions - mounting

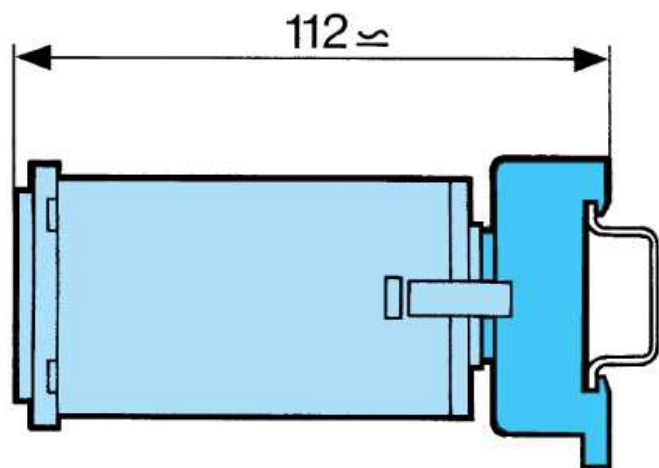
**Dimensions (mm)**

Panel cut-out

**Dimensions (mm)**Screw terminal or connector socket - 8-pin base : ref. 25 622 303
for panel mounting

Screw terminal or connector socket - 8-pin base : ref. 25 622 303 - for panel mounting

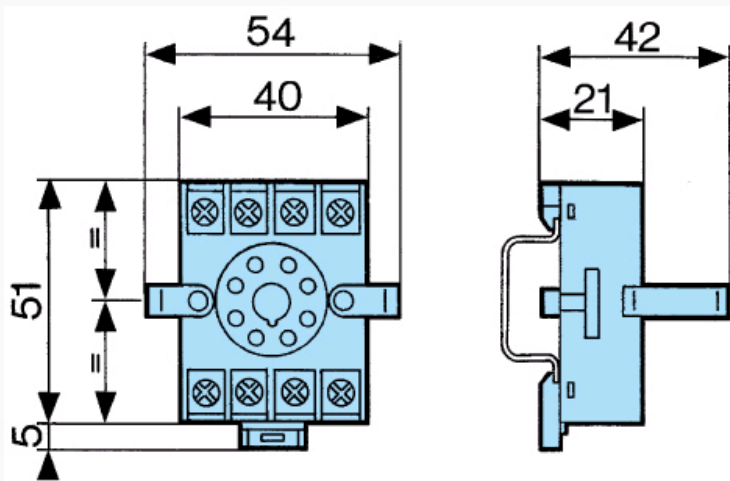
Dimensions (mm)Screw terminal or connector socket - 8-pin base : ref. 25 622 303
for mounting on DIN rail 35 mm EN 50022



Screw terminal or connector socket - 8-pin base : ref. 25 622 303 - for mounting on DIN rail 35 mm EN 50022

Dimensions (mm)

Connector socket

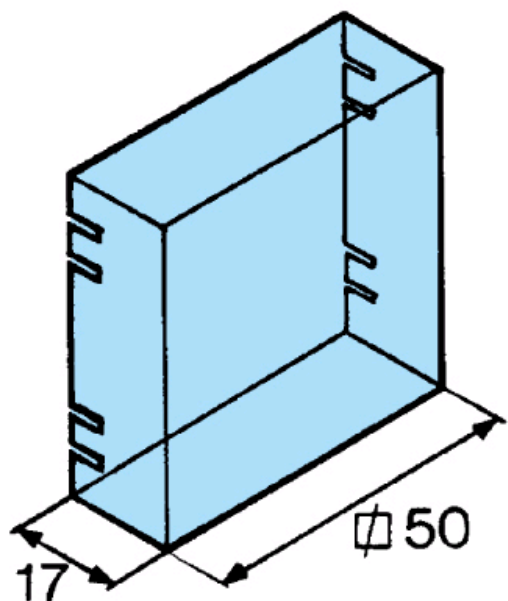


Screw terminal or connector socket - 8-pin base : ref. 25 622 303 - for mounting on DIN rail 35 mm EN 50022

Dimensions (mm)

Protective cover - IP 54

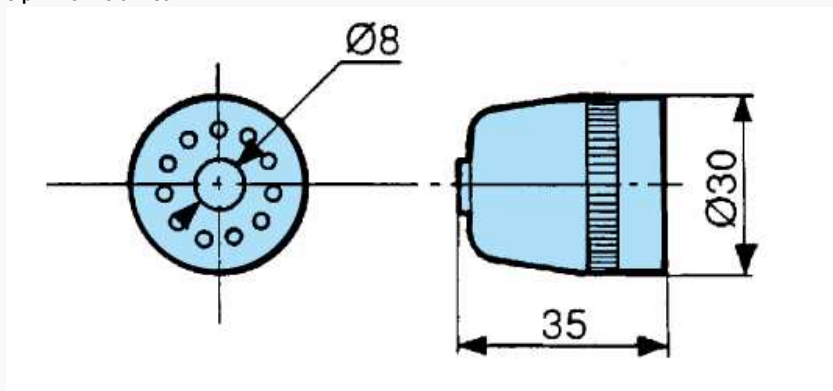
79 237 709



Protective cover IP 54 Ref. 79 237 709

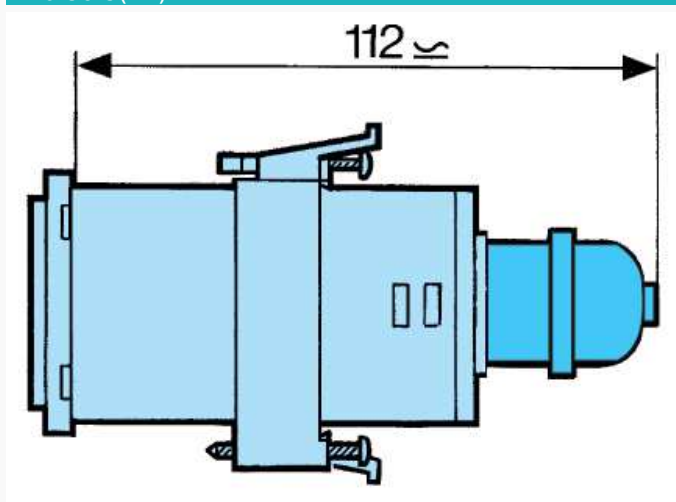
Dimensions (mm)

Solder tag connector
8-pin : ref. 25 622 301



Solder tag connector 8-pin : Ref. 25 622 301

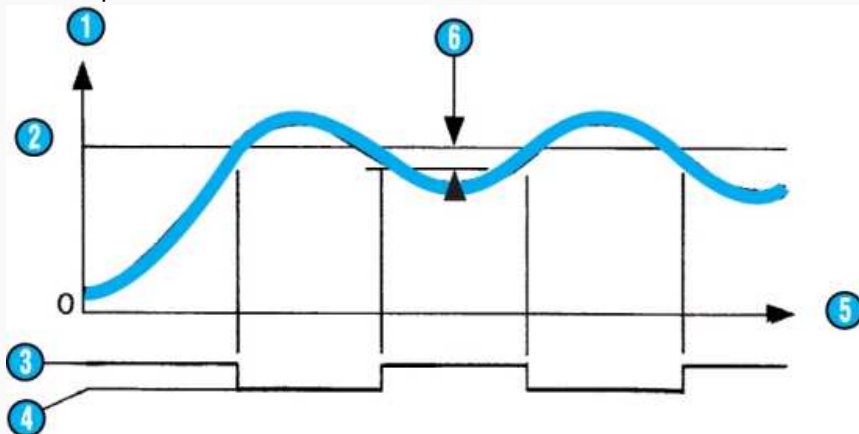
Dimensions (mm)



Solder tag connector 8-pin : Ref. 25 622 301

Curves

ON/OFF output action - CT48A

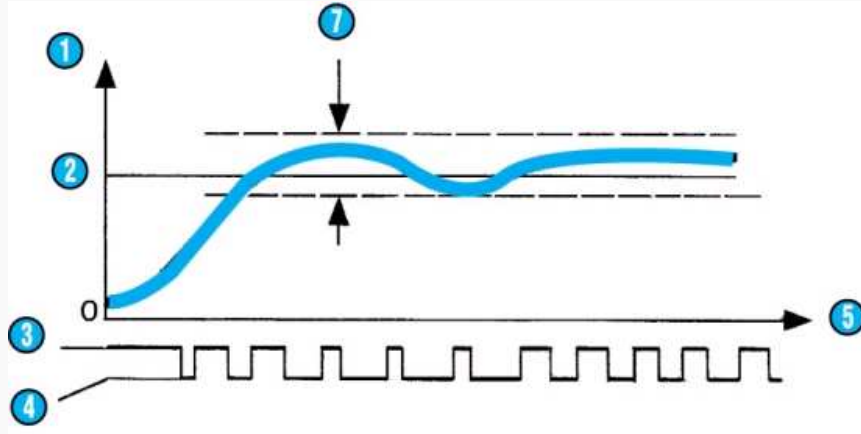


N°	Legend
1	Temperature
2	Setpoint

③	Output ON
④	Output OFF
⑤	Time
⑥	Hysteresis (0,4 %)

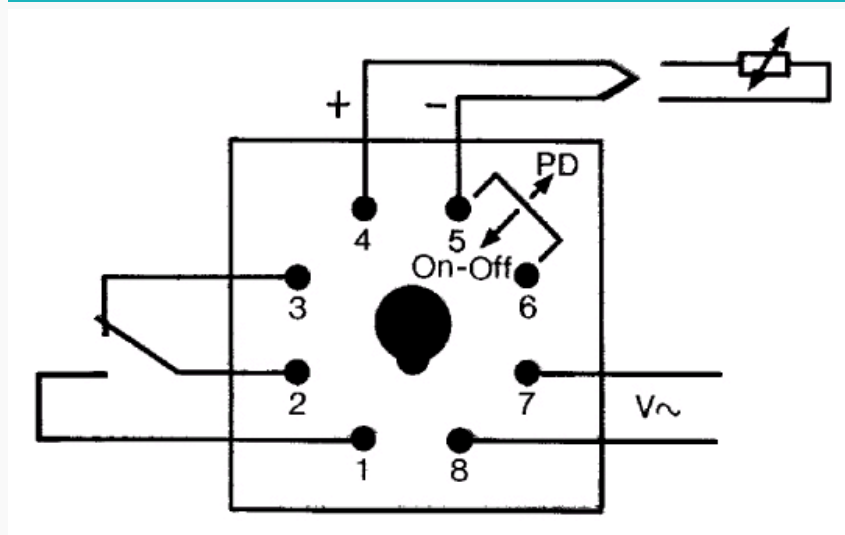
Curves

Proportional derivative (PD) action - CT48A



N°	Legend
①	Temperature
②	Setpoint
③	Output ON
④	Output OFF
⑤	Time
⑦	Proportional band (PB)

Connections



Other information

Other possible output type : solid state 0 Other possible supply voltages : 24 V AC and 110 V AC.
Please consult us.