



Chipsmall Limited consists of a professional team with an average of over 10 year of expertise in the distribution of electronic components. Based in Hongkong, we have already established firm and mutual-benefit business relationships with customers from,Europe,America and south Asia,supplying obsolete and hard-to-find components to meet their specific needs.

With the principle of “Quality Parts,Customers Priority,Honest Operation,and Considerate Service”,our business mainly focus on the distribution of electronic components. Line cards we deal with include Microchip,ALPS,ROHM,Xilinx,Pulse,ON,Everlight and Freescale. Main products comprise IC,Modules,Potentiometer,IC Socket,Relay,Connector.Our parts cover such applications as commercial,industrial, and automotives areas.

We are looking forward to setting up business relationship with you and hope to provide you with the best service and solution. Let us make a better world for our industry!



Contact us

Tel: +86-755-8981 8866 Fax: +86-755-8427 6832

Email & Skype: info@chipsmall.com Web: www.chipsmall.com

Address: A1208, Overseas Decoration Building, #122 Zhenhua RD., Futian, Shenzhen, China





Millenium Supply switch mode power supply 89450 with PFC Part number 89450222



- Switching power supply, electronic regulated
- Wide range of input circuit
- Conformity to global standards
- Thermal protection
- PFC filter
- Adjustment of the output voltage (adjustable from -10 / +10 % of Un)

Part numbers

Type	Input voltage (V)	Output voltage (V)	Nominal power	Nominal current
89450222 89450 with PFC	100 →240 V AC	24 V DC	100 W	4,2 A

Specifications

Certifications	CE, UL, CSA, TÜV
Conformity to standards	Safety : IEC/EN 60950-1 EMC : EN 61000-6-3, EN 61000-6-2, 61000-3-2 LF harmonic currents : IEC/EN 61000-3-2

Output circuit

Status indication	Green LED
Operating voltage (Ue)	24 V
Nominal output current (A)	4.2 at 24 V
Output voltage accuracy	± 10 %
Line and load regulation	± 3 %
Residual ripple	< 200 mV
Protection against short circuits	Continuous, automatic restart
Protection against voltage surges	U > 1,2 Ue
Thermal protection	Yes

Input circuit

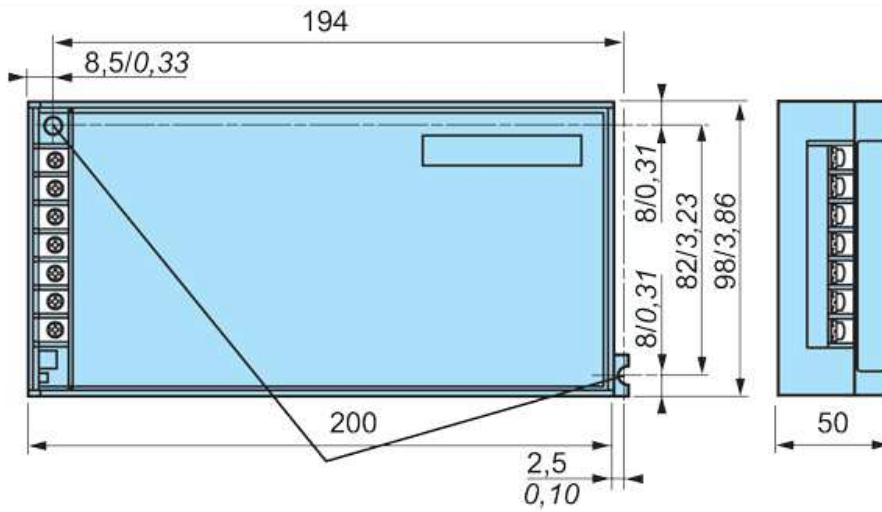
Nominal voltage (V)	100 →240 VAC (-15 %/+10 %)
Current consumption (mA)	Ue = 240 V - 0,7 A Ue = 100 V - 1,4 A

Operating characteristics

Connection capacity	Input : 2 x 4 mm ² + earth Output : 4 x 4 mm ²
Ambient storage temperature	-25 →+85 °C
Relative humidity	20→90 % RH
Vibrations	Conforming to IEC/EN 61131-2
Operating temperature	Voir courbes de déclassement
MTBF	>100,000 hr at 100 % load (at 40°)
Immunity to electrostatic discharges	Conforming to IEC/EN 61000-4-2 level 3 (4 kV contact/8 kV air)
Immunity to electromagnetic discharges	Conforming to IEC/EN 61000-4-3 level 3 (10V/m)
Immunity to conducted disturbances	Conforming to IEC/EN 61000-4-4 level 3 (2 kV), IEC/EN 61000-4-5, IEC/EN 61000-4-6 level 3, IEC/EN 61000-4-8 level 4, IEC/EN 61000-4-12 level 3
Immunity to mains supply disturbances	Conforming to IEC/EN 61000-4-11 (voltage dips and interruptions)
Incorporated input fuse	Yes
Emission	Conducted/radiated conforming EN 55022 (CISPR22), EN 55011 (CISPR11)
Connections	
Dielectric strength	Input/output : 3000AC 50/60 Hz 1 min Input/earth : 1500AC 50/60 Hz 1 min Output/earth : 500AC 50/60 Hz 1 min
Weight (g)	640
Reset on protection	Automatic

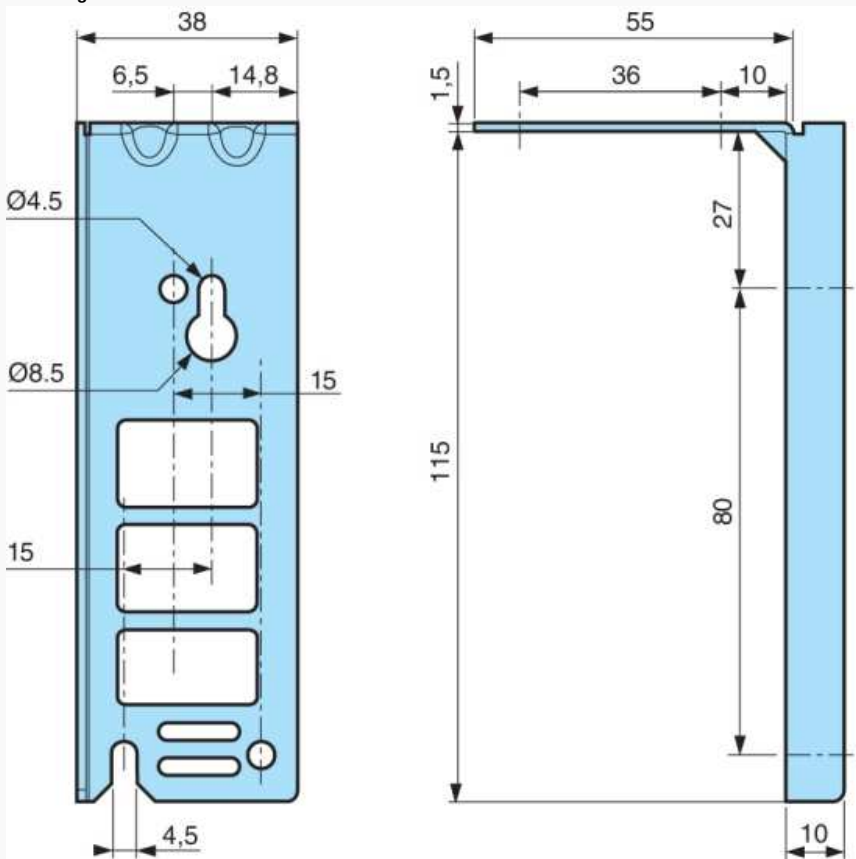
Dimensions (mm)

89450 power supplies



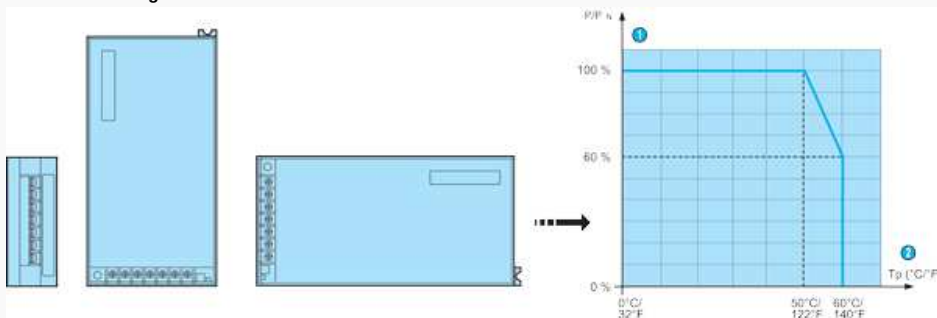
Dimensions (mm)

Mounting bracket



Curves

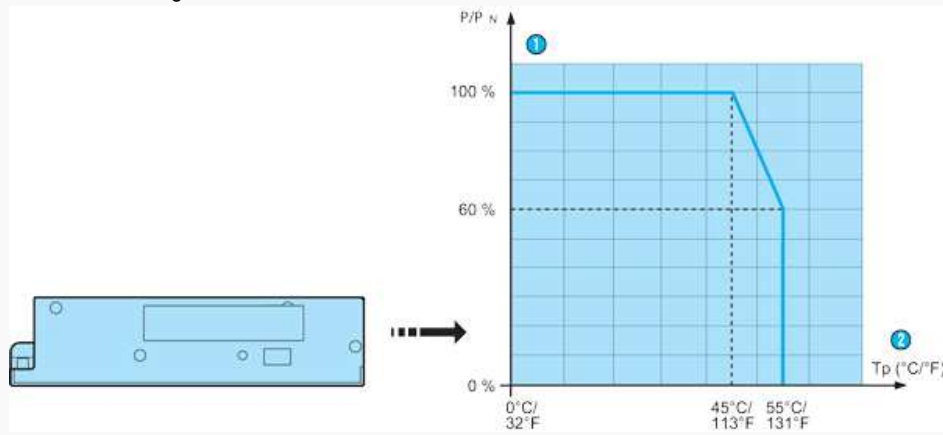
Vertical mounting



N°	Legend
①	*** TRADUCTION MANQUANTE ***
✘	*** TRADUCTION MANQUANTE ***

Curves

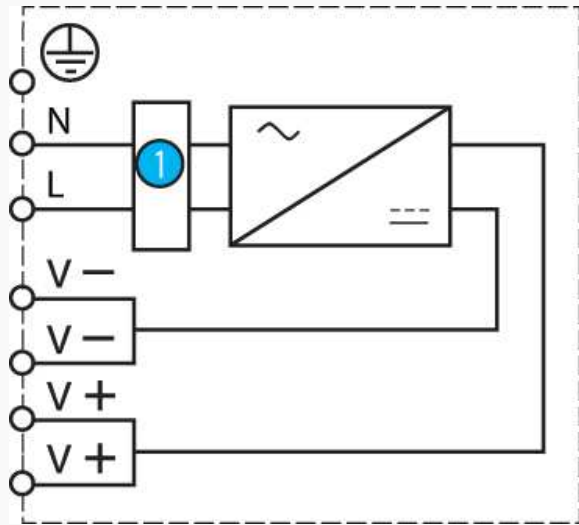
Horizontal mounting



N°	Legend
✘	*** TRADUCTION MANQUANTE ***
✘	*** TRADUCTION MANQUANTE ***

Connections

89450222



N°	Legend
①	PFC filter