



Chipsmall Limited consists of a professional team with an average of over 10 year of expertise in the distribution of electronic components. Based in Hongkong, we have already established firm and mutual-benefit business relationships with customers from,Europe,America and south Asia,supplying obsolete and hard-to-find components to meet their specific needs.

With the principle of “Quality Parts,Customers Priority,Honest Operation,and Considerate Service”,our business mainly focus on the distribution of electronic components. Line cards we deal with include Microchip,ALPS,ROHM,Xilinx,Pulse,ON,Everlight and Freescale. Main products comprise IC,Modules,Potentiometer,IC Socket,Relay,Connector.Our parts cover such applications as commercial,industrial, and automotives areas.

We are looking forward to setting up business relationship with you and hope to provide you with the best service and solution. Let us make a better world for our industry!



## Contact us

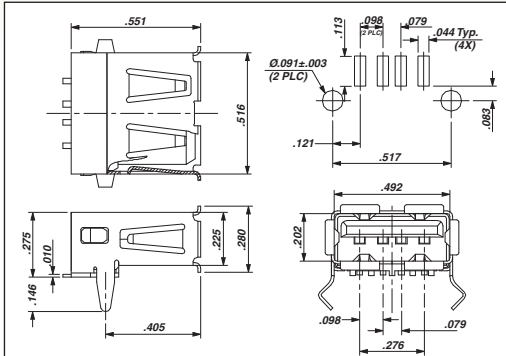
Tel: +86-755-8981 8866 Fax: +86-755-8427 6832

Email & Skype: info@chipsmall.com Web: www.chipsmall.com

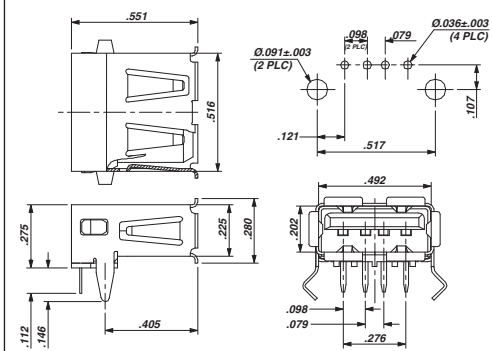
Address: A1208, Overseas Decoration Building, #122 Zhenhua RD., Futian, Shenzhen, China



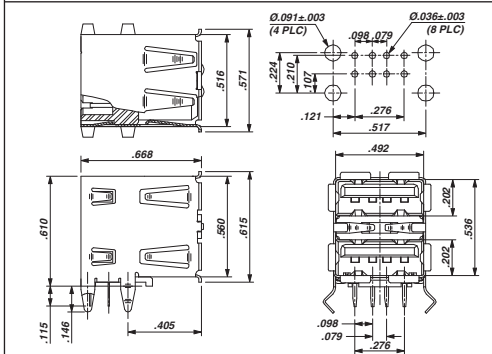
## SERIES 896, 897 • UNIVERSAL SERIAL BUS • SOCKETS



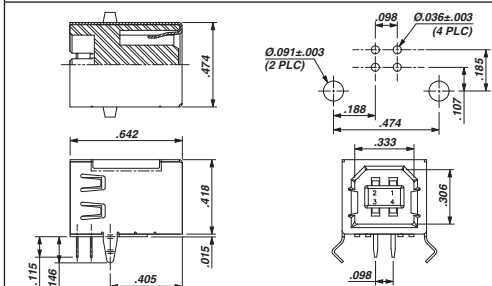
**FIG. 1**



**FIG. 2**



**FIG. 3**



**FIG. 4**

- USB receptacles for through-hole and surface mount
- Plug retention tabs
- Kinked locating legs for secure PCB retention
- Fully shielded
- Fully compatible with USB 1.0 and 2.0 specifications
- Passes 16MHz signal attenuation per ASTM-D-4566
- Packaged in trays, 150 pieces per tray



## ORDERING INFORMATION

<b>FIG. 1</b>	<b>Type A Receptacle, Single, Surface Mount</b>
	896-43-004-00-000000
<b>FIG. 2</b>	<b>Type A Receptacle, Single, Through-Hole</b>
	896-43-004-90-000000
<b>FIG. 3</b>	<b>Type A Receptacle, Double, Through-Hole</b>
	896-43-008-90-000000
<b>FIG. 4</b>	<b>Type B Receptacle, Single, Through-Hole</b>
	897-43-004-90-000000

## Technical Specifications

### Materials:

Terminals: Copper Alloy, Tin-Plated  
 Casing and Shield: Stainless Steel  
 Insulator material: High temperature thermoplastic rated UL94V-0

### Ratings:

Voltage: 30VAC (rms)  
 Current: 1A max. per contact for 30°C temperature rise  
 All housing materials rated for "lead-free" soldering up to 260° C

### Electrical:

Contact resistance: 30mΩ max.  
 Insulation resistance: 1000MΩ min.  
 Dielectric withstanding voltage: 750VAC at sea level  
 Capacitance: 2pF max.

### Mechanical:

Random vibration: No discontinuity >1μs per EIA 364-28, cond. V, letter A  
 Physical shock: No discontinuity >1μs per EIA 364-27, condition H  
 Durability: 1500 cycles min. per EIA 364-09  
 Mating force: 35 Newtons max. per EIA 364-13  
 Unmating force: 10 Newtons min. per EIA 364-13

### Environmental:

Thermal shock per EIA 364-32, condition I  
 Humidity per EIA 364-31, method II, condition A  
 Temperature life per EIA 364-17, condition 3, method A

