



Chipsmall Limited consists of a professional team with an average of over 10 year of expertise in the distribution of electronic components. Based in Hongkong, we have already established firm and mutual-benefit business relationships with customers from,Europe,America and south Asia,supplying obsolete and hard-to-find components to meet their specific needs.

With the principle of “Quality Parts,Customers Priority,Honest Operation,and Considerate Service”,our business mainly focus on the distribution of electronic components. Line cards we deal with include Microchip,ALPS,ROHM,Xilinx,Pulse,ON,Everlight and Freescale. Main products comprise IC,Modules,Potentiometer,IC Socket,Relay,Connector.Our parts cover such applications as commercial,industrial, and automotives areas.

We are looking forward to setting up business relationship with you and hope to provide you with the best service and solution. Let us make a better world for our industry!



Contact us

Tel: +86-755-8981 8866 Fax: +86-755-8427 6832

Email & Skype: info@chipsmall.com Web: www.chipsmall.com

Address: A1208, Overseas Decoration Building, #122 Zhenhua RD., Futian, Shenzhen, China



> em4

Accessories

Temperature sensors

> Integrated converter: 0-10 V output for direct connection to the em4 analog inputs



Zone/space probe



Ventilation duct



External probe

Specific Characteristics						
Description	Range	Accuracy	Supply	Protection casing	Protection probe	Code
Zone/space probe	-10 → +40 °C	-0.2 °C +1.2 °C	24 V $\overline{\text{---}}$	IP30	-	89 750 150
Ventilation duct	-10 → +60 °C	-0.2 °C +1.9 °C	24 V $\overline{\text{---}}$	IP65	IP30	89 750 151
External probe	-10 → +40 °C	-0.2 °C +1.9 °C	24 V $\overline{\text{---}}$	IP65	-	89 750 152
Remote/submersible probe	-10 → +150 °C	-0.2 °C +1.2 °C	24 V $\overline{\text{---}}$	IP65	IP67	89 750 153

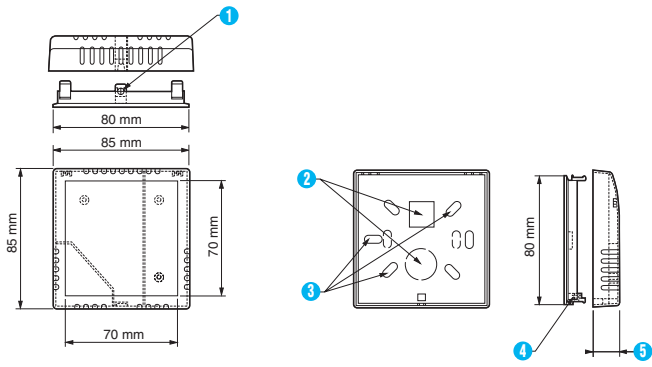
Accessories			
Description	Accuracy	Protection casing	Code
316 stainless steel protective sleeve	-20 → +400 °C	16 bar	89 750 147

General characteristics	
Environmental characteristics	
Ambient characteristics	-10 → +60 °C
Ambient humidity	5 → 95 % RH
Housing material	Self-extinguishing
Electrical characteristics	
Supply voltage	24 V $\overline{\text{---}}$ (± 10 %)
Output	0 → 10 V $\overline{\text{---}}$
Drift Temperature (%/ °C)	0.01 % / °C of full scale
Temperature coefficients Offset	1.5 m V / °C

Diagrams

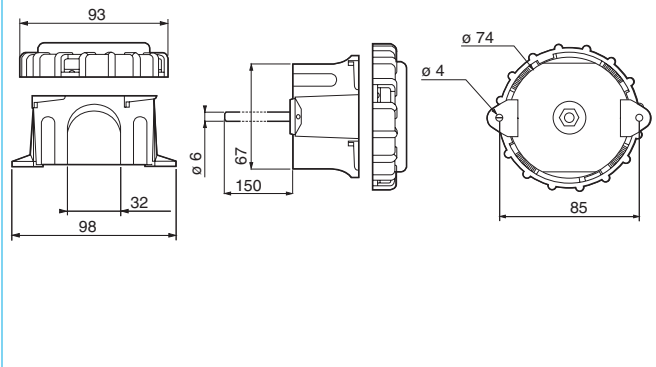
Dimensions (mm)

89 750 150

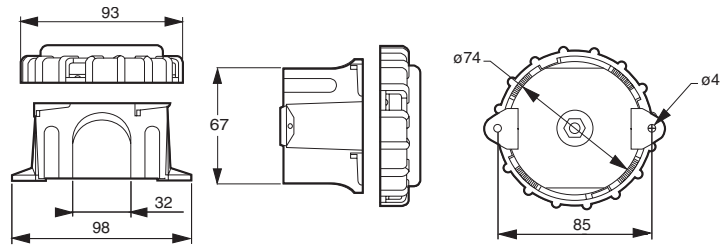


- 1 Ø3 mm for em4 x 8 screw
- 2 Cut-outs made prior to delivery
- 3 Fixing holes
- 4 Indentation for em4 square nut
- 5 Total depth 26 mm

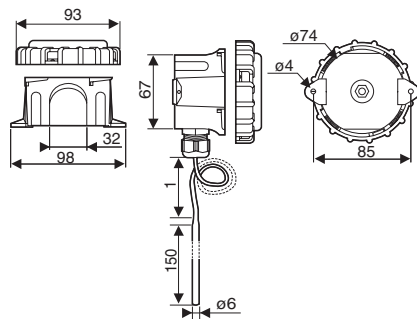
89 750 151



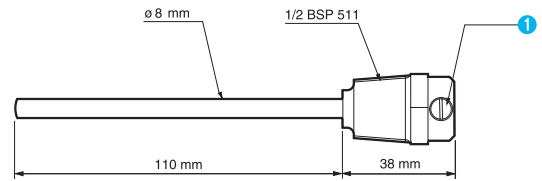
89 750 152



89 750 153



Accessory 89 750 147 for 89 750 153



- 1 M4 screw