



Chipsmall Limited consists of a professional team with an average of over 10 year of expertise in the distribution of electronic components. Based in Hongkong, we have already established firm and mutual-benefit business relationships with customers from,Europe,America and south Asia,supplying obsolete and hard-to-find components to meet their specific needs.

With the principle of “Quality Parts,Customers Priority,Honest Operation,and Considerate Service”,our business mainly focus on the distribution of electronic components. Line cards we deal with include Microchip,ALPS,ROHM,Xilinx,Pulse,ON,Everlight and Freescale. Main products comprise IC,Modules,Potentiometer,IC Socket,Relay,Connector.Our parts cover such applications as commercial,industrial, and automotives areas.

We are looking forward to setting up business relationship with you and hope to provide you with the best service and solution. Let us make a better world for our industry!



Contact us

Tel: +86-755-8981 8866 Fax: +86-755-8427 6832

Email & Skype: info@chipsmall.com Web: www.chipsmall.com

Address: A1208, Overseas Decoration Building, #122 Zhenhua RD., Futian, Shenzhen, China



Temperature sensors AS Part number 89750150



- Integrated converter : 0-10 V output for direct connection to the Millennium 3 analogue inputs

Part numbers

	Type	Description	Range	Accuracy	Supply	Protection casing	Protection probe
89750150	AS	Zone/space	-10 →+40 °C	-0.2 °C +1.2 °C	24 V DC	IP30	-

Specifications

Environmental characteristics

Ambient temperature	-10 →+60 °C
Ambient humidity	5 →95 % RH
Housing material	Self-extinguishing

Electrical characteristics

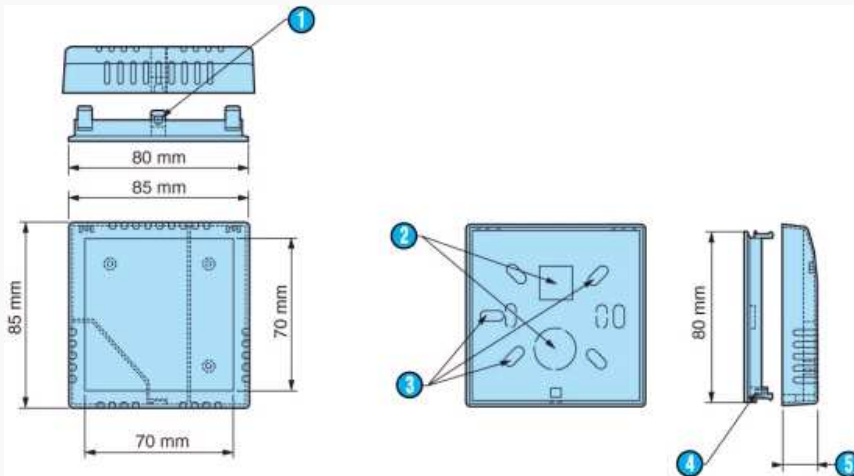
Supply voltage	24 V DC (± 10 %)
Output	0 →10 V DC
Drift Temperature (%/ °C)	0.01 %/ °C of full scale
Temperature coefficients Offset	1,5 mV / °C

Accessories

Accessories	Operating temperature	Operating pressure	Code
Copper protective sleeve	-20 →+100 °C	10 bar	89750146
316 stainless steel protective sleeve	-20 →+400 °C	16 bar	89750147

Dimensions (mm)

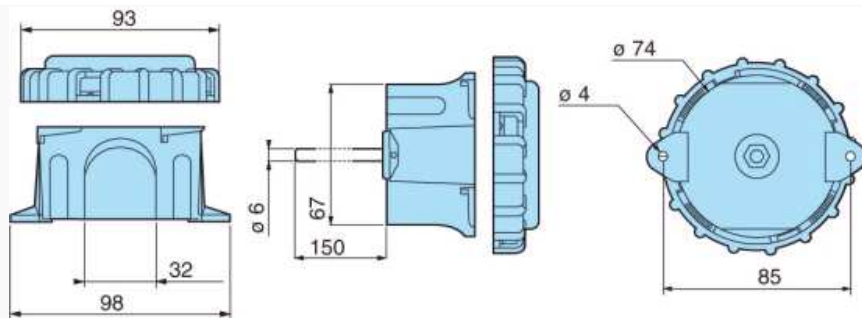
89750150



N°	Legend
①	Ø3 mm for M3 x 8 screw
②	Cut-outs made prior to delivery
③	Fixing holes
④	Indentation for M3 square nut
⑤	Total depth 26 mm

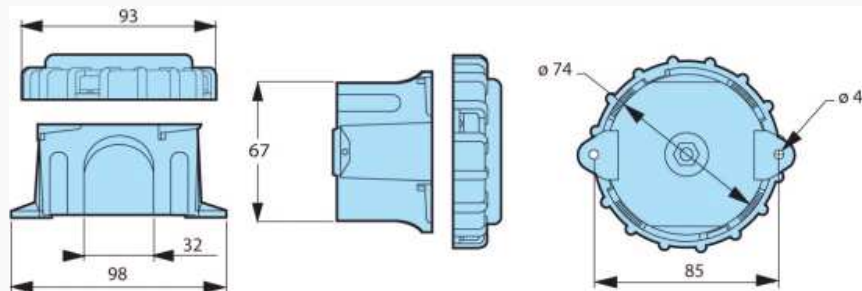
Dimensions (mm)

89750151



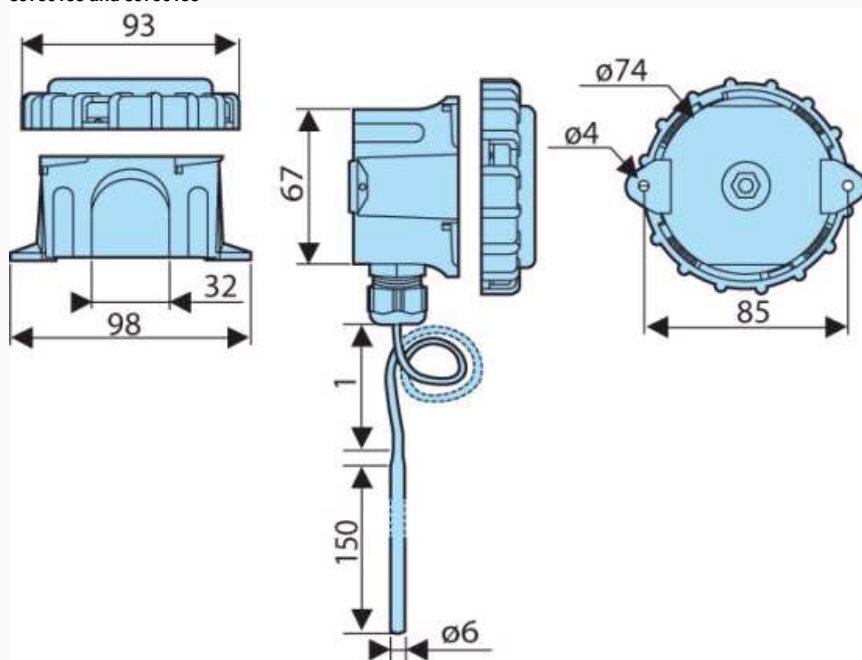
Dimensions (mm)

89750152



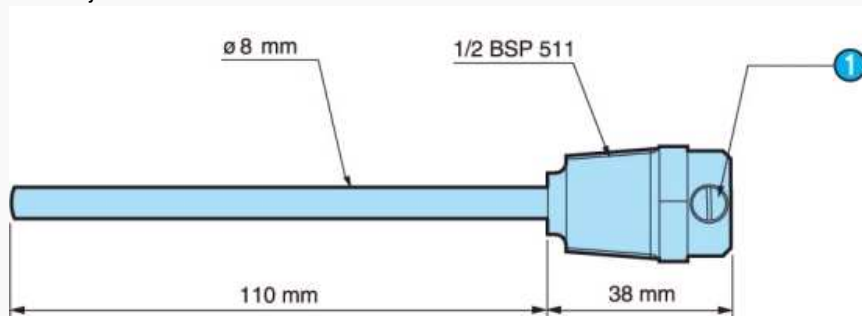
Dimensions (mm)

89750153 and 89750155



Dimensions (mm)

Accessory 89750147 for 89750153 and 89750155



N°	Legend
----	--------



M4 screw