



Chipsmall Limited consists of a professional team with an average of over 10 year of expertise in the distribution of electronic components. Based in Hongkong, we have already established firm and mutual-benefit business relationships with customers from,Europe,America and south Asia,supplying obsolete and hard-to-find components to meet their specific needs.

With the principle of “Quality Parts,Customers Priority,Honest Operation,and Considerate Service”,our business mainly focus on the distribution of electronic components. Line cards we deal with include Microchip,ALPS,ROHM,Xilinx,Pulse,ON,Everlight and Freescale. Main products comprise IC,Modules,Potentiometer,IC Socket,Relay,Connector.Our parts cover such applications as commercial,industrial, and automotives areas.

We are looking forward to setting up business relationship with you and hope to provide you with the best service and solution. Let us make a better world for our industry!



## Contact us

Tel: +86-755-8981 8866 Fax: +86-755-8427 6832

Email & Skype: info@chipsmall.com Web: www.chipsmall.com

Address: A1208, Overseas Decoration Building, #122 Zhenhua RD., Futian, Shenzhen, China



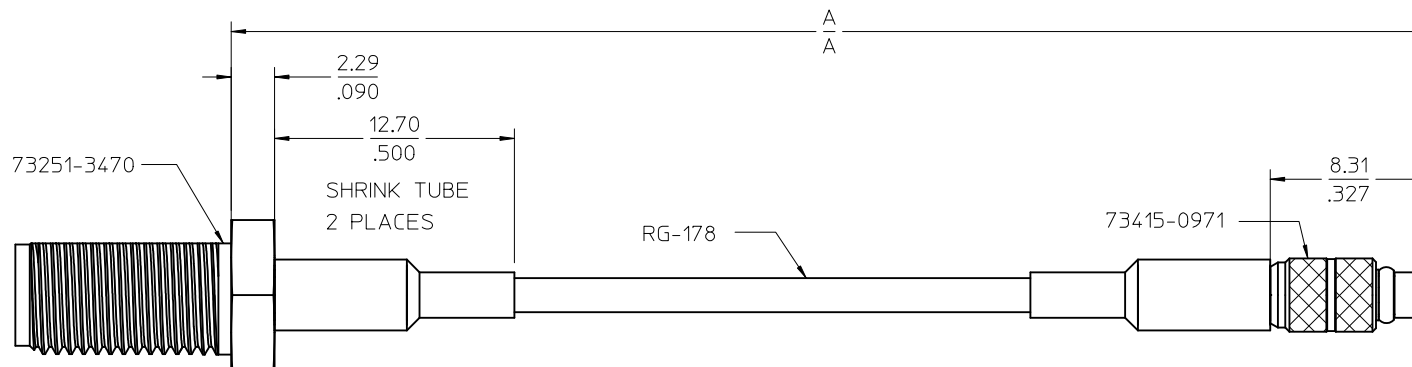
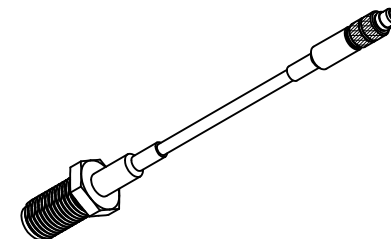
MATERIALS AND FINISHES

SMA JACK: SEE SD-73251-347

MMCX PLUG: SEE SD-73415-097

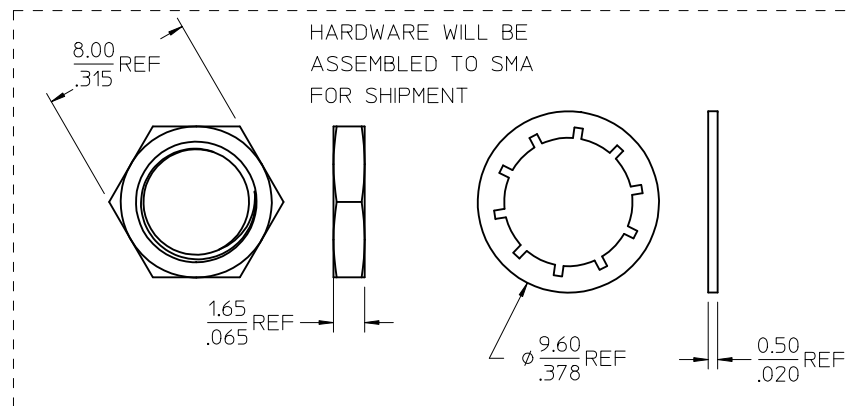
CABLE: RG178

SHRINK TUBE: VERSAFIT



CABLES WILL BE INDIVIDUALLY BAGGED

BAG LABEL:  
MOLEX P/N  
DATE CODE



89761-6803	2.779±.157	70.60±4.00
89761-6802	18.0±.35	457.2±8.89
89761-6801	12.0±.25	304.8±6.35
89761-6800	6.00±.25	152.4±6.35
PART NO.	IN	MM
A		

CECC-22-340	INTERFACE MMCX
MIL-STD-348A, FIG. 310.2	INTERFACE SMA
SPECIFICATION	DESCRIPTION

CHG: ADD PART NO. EWR RF10-079 EC NO: URF2010-0340 DRAWN: CHENG CHKD: APPR: MHIANG A2	2009/12/10 2009/12/14 2009/12/15 DESCRIPTION REV	QUALITY SYMBOLS ▽=0 ▽=0	GENERAL TOLERANCES (UNLESS SPECIFIED) <table border="1"> <tr> <th></th> <th>mm</th> <th>INCH</th> </tr> <tr> <td>4 PLACES</td> <td>± .005</td> <td>± .0002</td> </tr> <tr> <td>3 PLACES</td> <td>± .005</td> <td>± .0002</td> </tr> <tr> <td>2 PLACES</td> <td>± .005</td> <td>± .0002</td> </tr> <tr> <td>1 PLACE</td> <td>± .005</td> <td>± .0002</td> </tr> </table> ANGULAR ± 2° DRAFT WHERE APPLICABLE MUST REMAIN WITHIN DIMENSIONS		mm	INCH	4 PLACES	± .005	± .0002	3 PLACES	± .005	± .0002	2 PLACES	± .005	± .0002	1 PLACE	± .005	± .0002	DIMENSION STYLE MM/IN SCALE DESIGN UNITS METRIC THIRD ANGLE PROJECTION	DRAWN BY AZR CHECKED BY SSS APPROVED BY JDW DATE 2009/01/08 DATE 2009/01/08 DATE 2009/01/08	TITLE SMA JACK BLKHD TO MMCX PLUG STR ON RG178 CA-MMCX/SMA MOLEX INCORPORATED DOCUMENT NO. SD-89761-680 SHEET NO. 1 OF 1
					mm	INCH															
				4 PLACES	± .005	± .0002															
				3 PLACES	± .005	± .0002															
2 PLACES	± .005	± .0002																			
1 PLACE	± .005	± .0002																			
SEE TABLE		THIS DRAWING CONTAINS INFORMATION THAT IS PROPRIETARY TO MOLEX INCORPORATED AND SHOULD NOT BE USED WITHOUT WRITTEN PERMISSION																			
SIZE																					
C																					