



Chipsmall Limited consists of a professional team with an average of over 10 year of expertise in the distribution of electronic components. Based in Hongkong, we have already established firm and mutual-benefit business relationships with customers from,Europe,America and south Asia,supplying obsolete and hard-to-find components to meet their specific needs.

With the principle of “Quality Parts,Customers Priority,Honest Operation,and Considerate Service”,our business mainly focus on the distribution of electronic components. Line cards we deal with include Microchip,ALPS,ROHM,Xilinx,Pulse,ON,Everlight and Freescale. Main products comprise IC,Modules,Potentiometer,IC Socket,Relay,Connector.Our parts cover such applications as commercial,industrial, and automotives areas.

We are looking forward to setting up business relationship with you and hope to provide you with the best service and solution. Let us make a better world for our industry!



Contact us

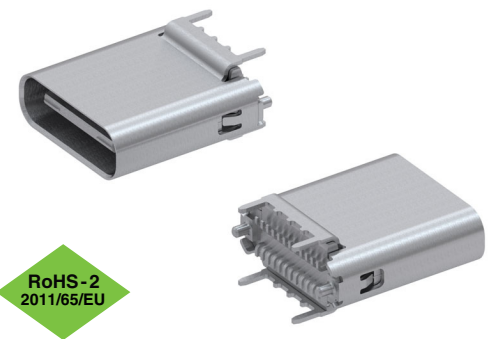
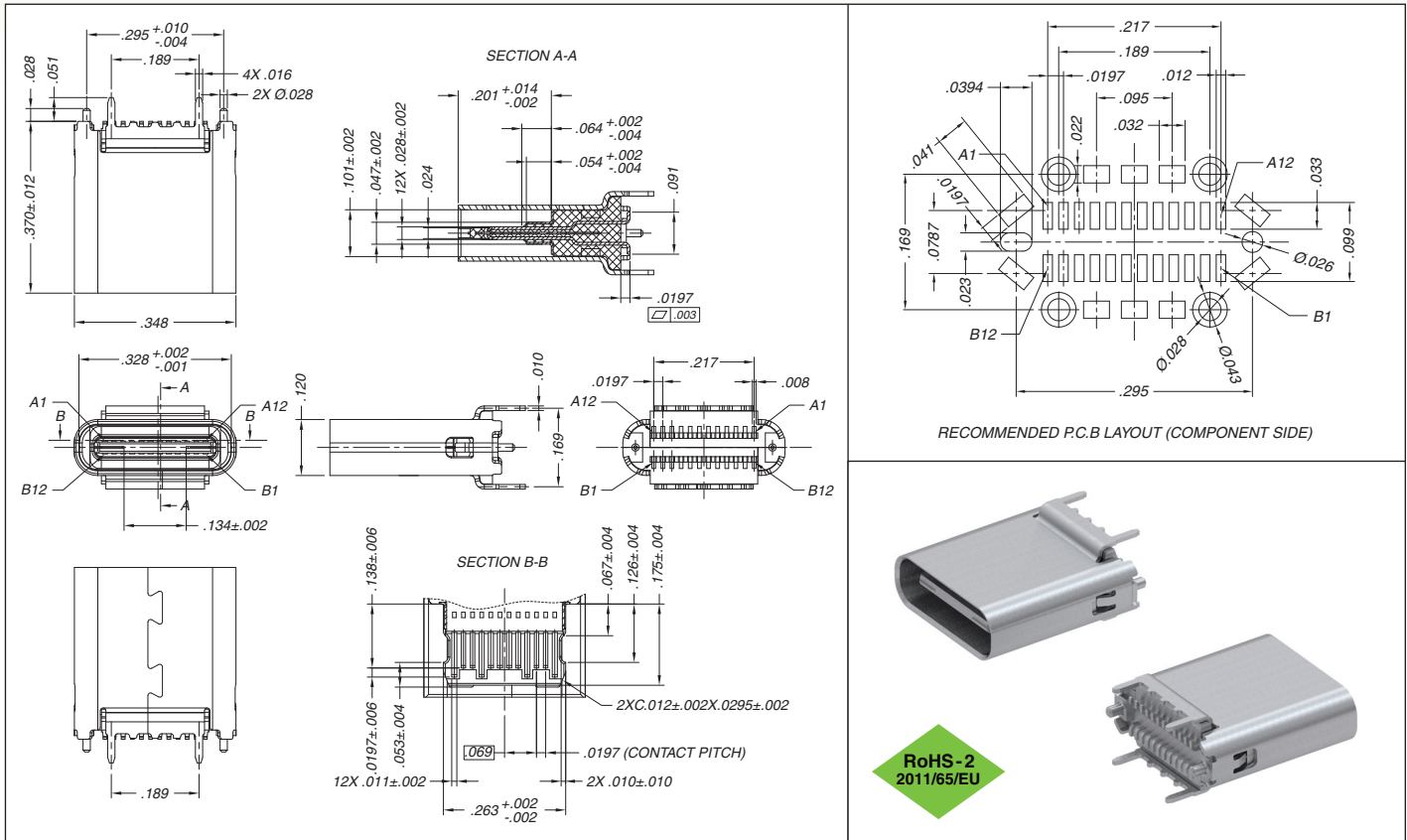
Tel: +86-755-8981 8866 Fax: +86-755-8427 6832

Email & Skype: info@chipsmall.com Web: www.chipsmall.com

Address: A1208, Overseas Decoration Building, #122 Zhenhua RD., Futian, Shenzhen, China



SERIES 898 • UNIVERSAL SERIAL BUS 3.1 TYPE C • VERTICAL SURFACE MOUNT



RoHS-2
2011/65/EU

Technical Specifications

Materials:

Terminals: Copper Alloy, Tin-Plated
 Contacts: Copper Alloy, 30 µ" Gold-Plated
 Casing and Shield: Stainless Steel
 Insulator material: High temperature thermoplastic rated UL94V-0

General Specifications:

Temperature Range:
 Operating: -40°C to +85°C
 Nominal: +20°C

Electrical:

Voltage: 50VAC (rms)
 LLCR: 40mΩ max. (initial), Δ10mΩ (Test cond. 20mV, 100mA)
 Dielectric Strength: 100VAC
 Insulation resistance: 100MΩ min.
 Current Rating: 5A for VBUS pin, 1.25A for VCONN pin

Mechanical:

Durability: 10,000 cycles
 Insertion force: 5-20 Newtons
 Extraction force: 8-20 Newtons after test

ORDERING INFORMATION

Vertical Surface Mount Type C Receptacle

898-43-024-00-310002

(Packaged in trays: 100 pieces per tray)

- USB 3.1 Vertical Surface mount, Type C
- Full metal housing with enhanced EMI/RFI prevention
- Reversible USB Type C Connector
- 10Gbps Data rate
- 2X faster than USB 3.0 with more efficient data transfer, higher through-put & improved I/O power efficiency
- For Storage, Smartphone, Tablet, Notebook, Docking, Automotive and Home Entertainment