



Chipsmall Limited consists of a professional team with an average of over 10 year of expertise in the distribution of electronic components. Based in Hongkong, we have already established firm and mutual-benefit business relationships with customers from,Europe,America and south Asia,supplying obsolete and hard-to-find components to meet their specific needs.

With the principle of “Quality Parts,Customers Priority,Honest Operation,and Considerate Service”,our business mainly focus on the distribution of electronic components. Line cards we deal with include Microchip,ALPS,ROHM,Xilinx,Pulse,ON,Everlight and Freescale. Main products comprise IC,Modules,Potentiometer,IC Socket,Relay,Connector.Our parts cover such applications as commercial,industrial, and automotives areas.

We are looking forward to setting up business relationship with you and hope to provide you with the best service and solution. Let us make a better world for our industry!



Contact us

Tel: +86-755-8981 8866 Fax: +86-755-8427 6832

Email & Skype: info@chipsmall.com Web: www.chipsmall.com

Address: A1208, Overseas Decoration Building, #122 Zhenhua RD., Futian, Shenzhen, China



PRODUCT NUMBER
89882-XXX(Z)LF

- ROHS COMPATIBLE, SEE NOTE 5.
- OPTIONAL LETTER
- H: HIGH TEMPERATURE PRODUCT.
- NUMBER OF POSITIONS: 02 TO 65.
- PLATING CODE
- 3= 0.76µm GOLD ON CONTACT AREA.
- 2µm MIN MATTE TIN ON TAIL.
- 4= 2µm MIN MATTE TIN FULL PLATED
- 1.27µm Ni MIN UNDERPLATING

NOTES:

- 1 - HOUSING MAT'L: THERMOPLASTIC GLASS FILLED FLAME RETARDANT PER UL 94 V-0
LOW TEMPERATURE: COLOR BLUE
HIGH TEMPERATURE: COLOR GREY.
- 2 - TERMINAL MATERIAL: PHOSPHOR BRONZE.
- 3 - 2 UP TO 4 POSITIONS PRODUCT PACKED IN PLASTIC BOX.
- 5 UP TO 65 POSITIONS PRODUCT PACKED IN TUBE.
- 4 - TO DETERMINE DIMENSIONS:
N = NUMBER OF POSITIONS
EXAMPLE: 8 POS: (N×2.54)-0.08=20.24 mm.
- 5 - ROHS COMPATIBLE PRODUCT SPECIFICATIONS

a - PLATING:

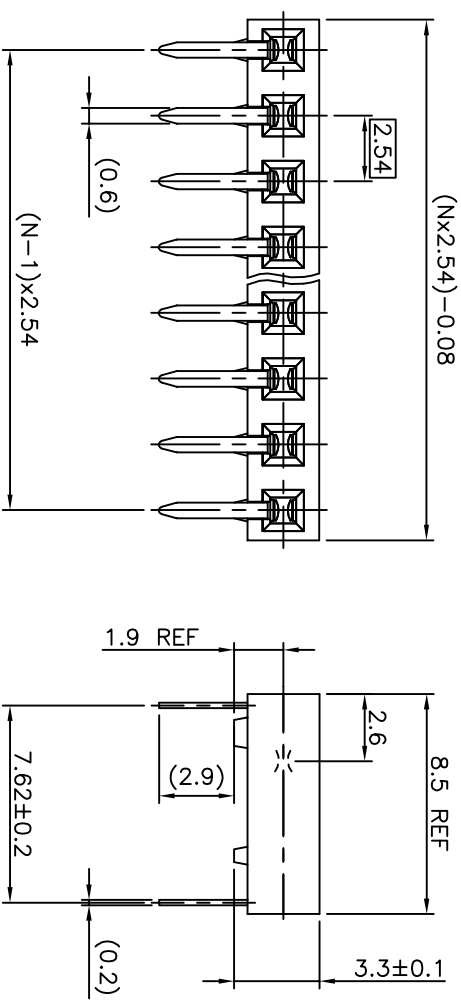
- "LF" MEANS THE PRODUCT IS LEAD-FREE, 2µm MINIMUM MATTE TIN OVER 1.27µm MINIMUM NICKEL UNDERPLATE.

b - MANUFACTURING PROCESS COMPATIBILITY

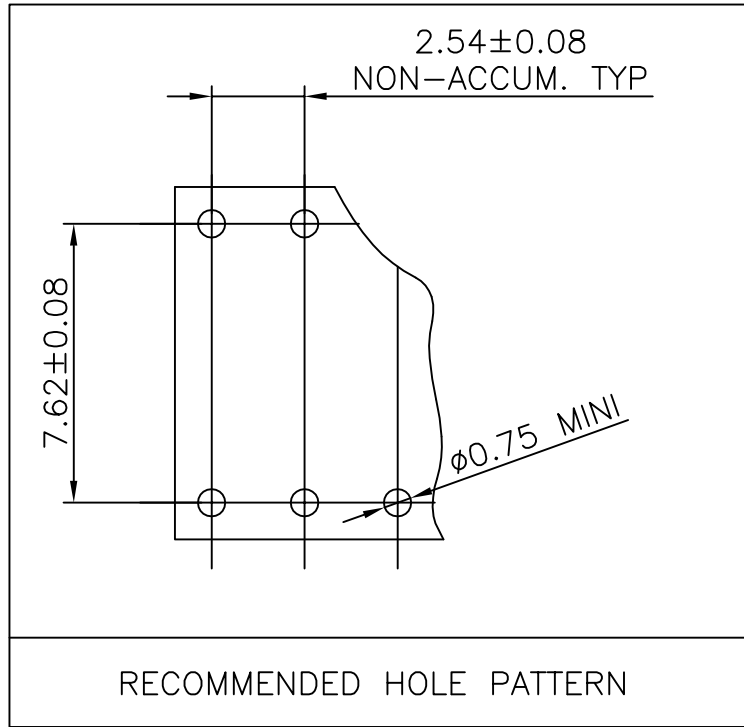
- THE HOUSING WILL WITHSTAND EXPOSURE TO 260°C ±5°C SOLDER BATH TEMPERATURE FOR 5 SECONDS IN A WAVE SOLDER APPLICATION WITH A 1.6mm MIN THICK CIRCUIT BOARD.

c - LABELING:

- MEETS PACKAGING SPECS AS PER GS-14-920
- LEGAL STATEMENT: SEE GS-47-0004



mat'l. code	SEE NOTES	surface	tolerance	projection	product family			
ltr	ecn no	dr	date	ISO 1302	ISO 406	ISO 1101	ISO 1101	title
K	B-19123	LMU	14.10.21	tolerances unless otherwise specified	±0.3	mm	scale 5:1	BtB RECEPT. HORIZ SR TMT
E	F10110	GC0	01.01.16	angles	linear	mm	scale 5:1	
F	04-0145	DLE	04.02.25	dr	D	LEGRAND	04.08.29	
G	F04-0347	DLE	04.09.28	engr	P	NIZZI	04.09.28	
H	F06-0204	DLE	06.06.21	th	D	LEGRAND	04.09.28	
J	F06-0330	DLE	06.12.04	appd	P	NZ	04.09.28	
sheet	revision	K	B					
index	sheet	1	2					



FCIconnect.com

Copyright FCI

mat'l. code SEE SHEET 1				surface ISO 1302 <input checked="" type="checkbox"/>		tolerance ISO 406 ISO 1101		projection 		product family DUBOX			
ltr	ecn no	dr	date	tolerances unless otherwise specified		angles		mm 		title BtB RECEPT. HORIZ SR TMT			
A	F04-0347	DLE	04.09.28	±0.3		linear		scale 5:1		dwg no		sheet 2 of 2	size
B	F06-0204	DLE	06.06.21	±2'						89882		A4	
				dr	D LEGRAND	04.09.28			type		CUSTOMER	Drawing	
				enr	P NIZZI	04.09.28							
				chr	D LE	04.09.28							
				appd	P NZ	04.09.28							
sheet index	revision sheet												