



Chipsmall Limited consists of a professional team with an average of over 10 year of expertise in the distribution of electronic components. Based in Hongkong, we have already established firm and mutual-benefit business relationships with customers from,Europe,America and south Asia,supplying obsolete and hard-to-find components to meet their specific needs.

With the principle of "Quality Parts,Customers Priority,Honest Operation,and Considerate Service",our business mainly focus on the distribution of electronic components. Line cards we deal with include Microchip,ALPS,ROHM,Xilinx,Pulse,ON,Everlight and Freescale. Main products comprise IC,Modules,Potentiometer,IC Socket,Relay,Connector.Our parts cover such applications as commercial,industrial, and automotives areas.

We are looking forward to setting up business relationship with you and hope to provide you with the best service and solution. Let us make a better world for our industry!



## Contact us

Tel: +86-755-8981 8866 Fax: +86-755-8427 6832

Email & Skype: info@chipsmall.com Web: www.chipsmall.com

Address: A1208, Overseas Decoration Building, #122 Zhenhua RD., Futian, Shenzhen, China





## Power Supply in Harsh Environments

Contacts designed to be used in severe environments. Resistant to fluids, high shock and vibration.

- A wide range** ■ All shell materials and platings: from composite to stainless steel.  
Hermetic version available.
- Contact performance** ■ High current: 20% more intensity compared to standard contacts.  
#4 contact: 80A typical, #8 contact: 45A typical.  
High vibration and temperature level.
- Large choice of layouts** ■ 7 layouts with only #4 or only #8 contacts.  
12 mixed layouts available with power contacts.
- User friendly** ■ Easy maintenance with removable contacts.  
Bus bar termination available.





## Description

- Quick screw coupling connector with removable crimp contact
- Shell available in aluminum, composite, Stainless steel, Titanium & Bronze
- Six layouts with different current rating
- Consult us for power hermetic version
- High Power offer available on demand
- Derating curves available for #4 and #8.

## Technical features

### Mechanical

- **Shell:** Aluminum alloy, Composite, Bronze, Stainless steel, Titanium
- **Plating:**
  - . Olive green cadmium (W/J)
  - . Nickel (F/M/TF/S)
  - . Without plating (X for composite, TT for titanium and JVS for Bronze)
  - . Passivated (K)
- **Grommet and seal:** Silicon elastomer
- **Insulator:** Thermoset
- **Contact body:** Copper Alloy
- **Contact retention:**
  - . #4 = 200N
  - . #8 = 111N
- **Shock:** 300g during 3ms
- **Endurance:** 500 mating / unmating operations
- **Vibration:** As per MIL DTL 38999

### Electrical

- **Dielectric withstanding:** Test voltage rating (Vrms)

Service	Sea level	at 21 000 m
M	1 300	800
I	1 800	1 000

- **Insulation Resistance:** 5000 MΩ under 500 Vdc
- **Max current rating per contact:**
  - . #4 = 80A
  - . #8 = 45A
- **Contact resistance:**
  - . #4 = 2mΩ
  - . #8 = 3mΩ
- **Shielding:** As per MIL DTL 38999
- **Shell continuity:**
  - . W = 2.5 mΩ
  - . F = 1mΩ
  - . J, M = 3 mΩ
  - . JVS = 5 mΩ

### Environmental

- **Temperature range:**
  - . W, J, X, JVS = - 65°C +175°C
  - . F, M, K, S, TT, TF = - 65°C +200°C
- **Sealing:** As per MIL DTL 38999
- **Damp Heat:** As per MIL DTL 38999
- **Salt Spray:**
  - . W, TT, TF, K, JVS = 500 hours
  - . F, S = 48 hours
  - . J, M, X = 2000 hours
- **Fire resistance:** As per EN 2591 - C 17 method A
- **Resistance to fluid:** As per MIL DTL 38999

## Connector part numbers

### Aluminum, Composite, Stainless steel & Titanium connector

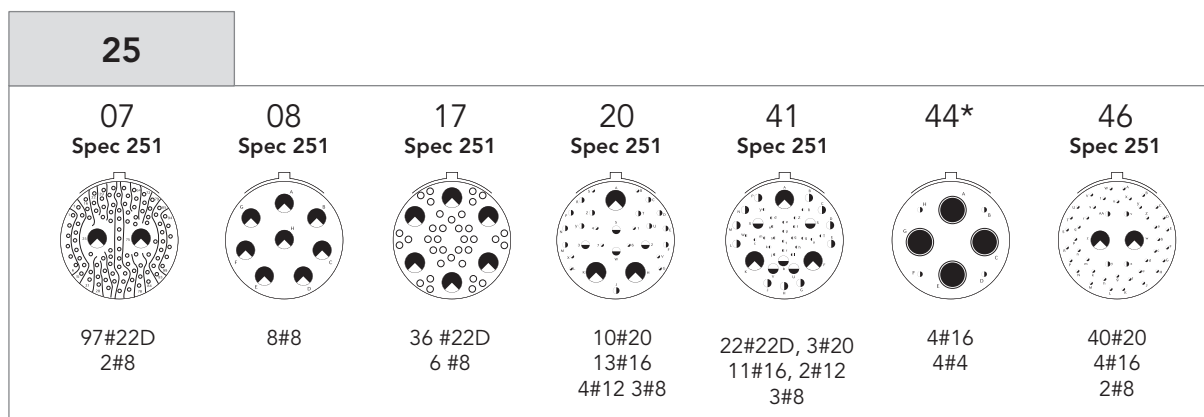
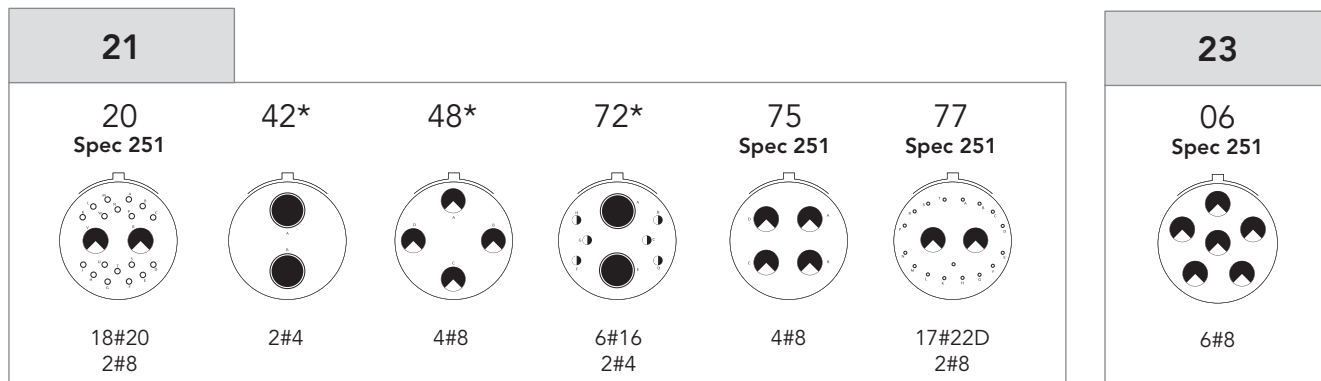
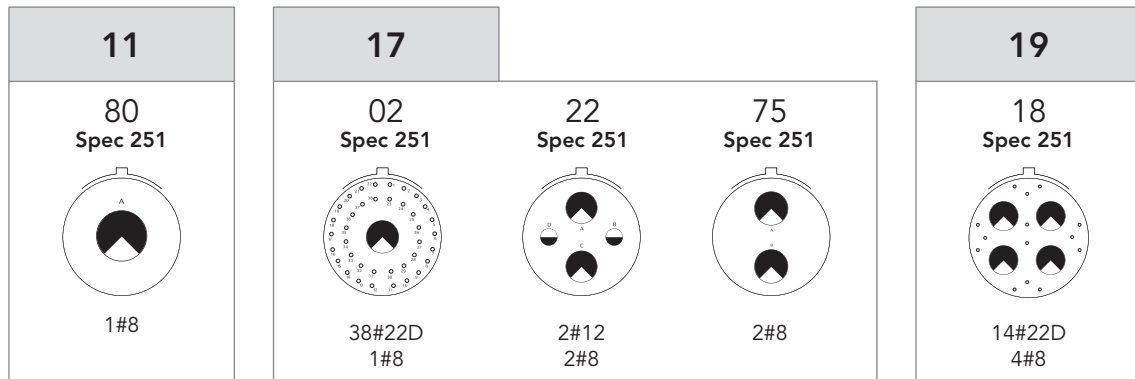
<b>Basic Series</b>	8D	0	-	11	W	80	P	N	251
<b>Style:</b>	<ul style="list-style-type: none"> <li>0: Square flange receptacle</li> <li>5: Plug with RFI shielding</li> <li>7: Jam nut receptacle</li> </ul>								
<b>Type:</b>	Crimp contact								
<b>Shell size:</b>	11 - 17 - 19 - 21 - 23 - 25								
<b>Plating:</b>	<p><b>Aluminum shell:</b></p> <ul style="list-style-type: none"> <li>W: Olive drab cadmium</li> <li>F: Nickel</li> <li>ZC: Green zinc cobalt</li> <li>Z: Black zinc nickel</li> </ul> <p><b>Composite shell:</b></p> <ul style="list-style-type: none"> <li>J: Olive green cadmium</li> <li>M: Nickel</li> <li>X: Without plating</li> </ul> <p><b>Stainless steel shell:</b></p> <ul style="list-style-type: none"> <li>K: Corrosion resistant</li> <li>S: Nickel</li> </ul> <p><b>Titanium shell:</b></p> <ul style="list-style-type: none"> <li>TT: Without plating</li> <li>TF: Nickel</li> </ul>								
<b>Contact layouts:</b>	See next page								
<b>Contact style:</b>	<ul style="list-style-type: none"> <li>P: Pin contact</li> <li>S: Socket contact</li> <li>A: Male connector supplied without contact</li> <li>B: Female connector supplied without contact</li> </ul>								
<b>Orientation:</b>	N - A - B - C - D - E								
<b>Specification:</b>	251: Mandatory for some layouts supplied with power contacts (see next page)								

### Bronze connector

<b>Basic Series</b>	JVS	16	A	11	80	P	N	251
<b>Style:</b>	<ul style="list-style-type: none"> <li>00: Square flange receptacle</li> <li>07: Jam nut receptacle</li> <li>16: Plug</li> </ul>							
<b>Material:</b>	A: Bronze shell material							
<b>Shell size:</b>	11 - 17 - 19 - 21 - 23 - 25							
<b>Contact layouts:</b>	See next page							
<b>Contact style:</b>	<ul style="list-style-type: none"> <li>P: Pin contact</li> <li>S: Socket contact</li> <li>A: Male connector supplied without contact</li> <li>B: Female connector supplied without contact</li> </ul>							
<b>Orientation:</b>	N - A - B - C - D - E							
<b>Specification:</b>	251: Mandatory for some layouts supplied with power contacts (see next page)							

## Contact layouts

-  Contact #22D
-  Contact #12
-  Contact #20
-  Contact #8 Power
-  Contact #16
-  Contact #4 Power



\* Power contacts on standard, no spec. 251 needed.

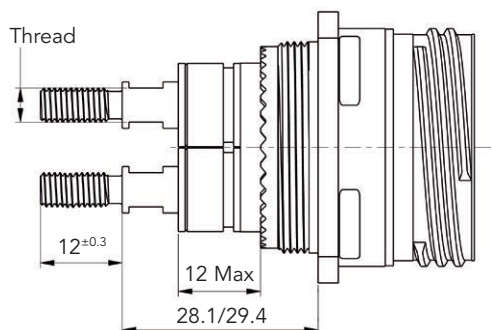
**Power contacts**

Contact size	Contact type	Part number	Reducer	Cable size max.		Boot
				AWG	mm <sup>2</sup>	
#4	Male	85997598900*	Without	N/A	25 mm <sup>2</sup>	N/A not sealed
	Female	85997599900*				
	Male	85997534		AWG 4	16 to 21 mm <sup>2</sup>	85994594 for cable 16mm <sup>2</sup>
	Female	85997535				
	Male	85997524		AWG8	9 mm <sup>2</sup>	N/A not sealed
	Female	85997525				
	Male	85997534	85932000A	AWG6	10 mm <sup>2</sup>	85994593
	Female	85997535	Without	AWG6	10 mm <sup>2</sup>	
	Male	85997528900				
	Female	85997529900				
#8	Male	85997580	Without	AWG8	9 mm <sup>2</sup>	85994542
	Female	85997581				
	Male	85997580	85997645	AWG10	6 mm <sup>2</sup>	85994547
	Female	85997581				
#8 according to EN 3155	Male	85996215900	Without	AWG8	9 mm <sup>2</sup>	85994542
	Female	85996217900				
	Male	85996216900		AWG10	6 mm <sup>2</sup>	85994547
	Female	85996218900				
#8 JVS only	Male	85997544	Without	AWG8	9 mm <sup>2</sup>	85994542
	Female	85997541				
	Male	85997544	85997645	AWG10	6 mm <sup>2</sup>	85994547
	Female	85997541				

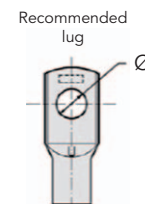
Cable section AWG	#22	#20	#16	#12	#10	#8	#4
mm <sup>2</sup> maxi	0.34	0.6	1.34	3.18	5.8	9	21
mm <sup>2</sup> mini	0.095	0.21	0.6	1.91	3.8	5.8	16

\* Not included in connector P/N. Must be ordered separately.

**Bus bar contact**



Contact size	Thread	Part number			Lug Ø
		Male	Female	Boots	
#4	M5x0.8	85930873A	85930875A	85994594	5.2
#8	M3x0.5	85930872A	85930874A	85994542	3.2



Contacts available separately only. Lug: tin over copper recommended. Dimensions for indication only.

Note: All dimensions are in millimeters (mm)

**Power tools**

Contact size	Contact type	Contact reference	Cable AWG	Crimping tool			Contact extraction tool (metallic)	Contact extraction tool (plastic)
				Automatic tool: M22520/23-01		Manual hand tool: M300 BT		
				Die set	Locator	Locator		
#4	Male	8599-7534	#4-5 or #10-16mm <sup>2</sup>	M22520/23-04	M22520/23-11	N/A	8533-8175	M81969/14-07
	Female	8599-7535						
#8 JVS only	Male	8599-7544	#8 or #10	M22520/23-02	8599-9601	SP 593	8660-197	M81969/14-12
	Female	8599-7541						
#8	Male	8599-7580						
	Female	8599-7581						

**Automatic tool for contacts #4 & #8**



Crimping tool M22520/23-01



Die set



Locator

**Manual hand tool for contacts #8**



Crimping tool M300 BT



Locator

**Extraction tool**



Metallic tool

For further information contact us at [contactmilaero@souriau.com](mailto:contactmilaero@souriau.com) or visit our web site [www.souriau.com](http://www.souriau.com)