



Chipsmall Limited consists of a professional team with an average of over 10 year of expertise in the distribution of electronic components. Based in Hongkong, we have already established firm and mutual-benefit business relationships with customers from,Europe,America and south Asia,supplying obsolete and hard-to-find components to meet their specific needs.

With the principle of “Quality Parts,Customers Priority,Honest Operation,and Considerate Service”,our business mainly focus on the distribution of electronic components. Line cards we deal with include Microchip,ALPS,ROHM,Xilinx,Pulse,ON,Everlight and Freescale. Main products comprise IC,Modules,Potentiometer,IC Socket,Relay,Connector.Our parts cover such applications as commercial,industrial, and automotives areas.

We are looking forward to setting up business relationship with you and hope to provide you with the best service and solution. Let us make a better world for our industry!



## Contact us

Tel: +86-755-8981 8866 Fax: +86-755-8427 6832

Email & Skype: info@chipsmall.com Web: www.chipsmall.com

Address: A1208, Overseas Decoration Building, #122 Zhenhua RD., Futian, Shenzhen, China



THIS DRAWING IS UNPUBLISHED. RELEASED FOR PUBLICATION

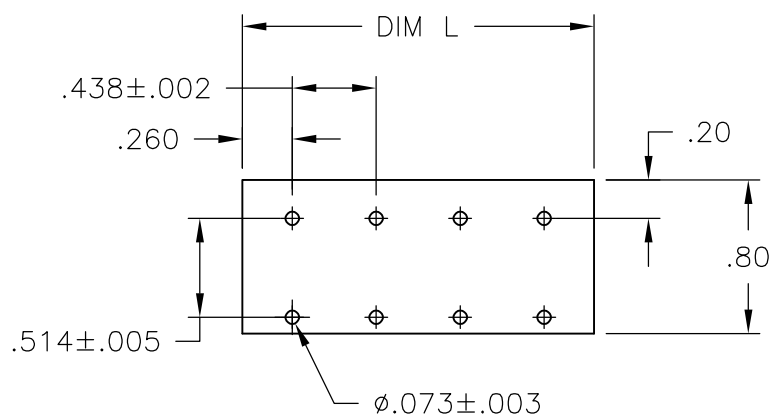
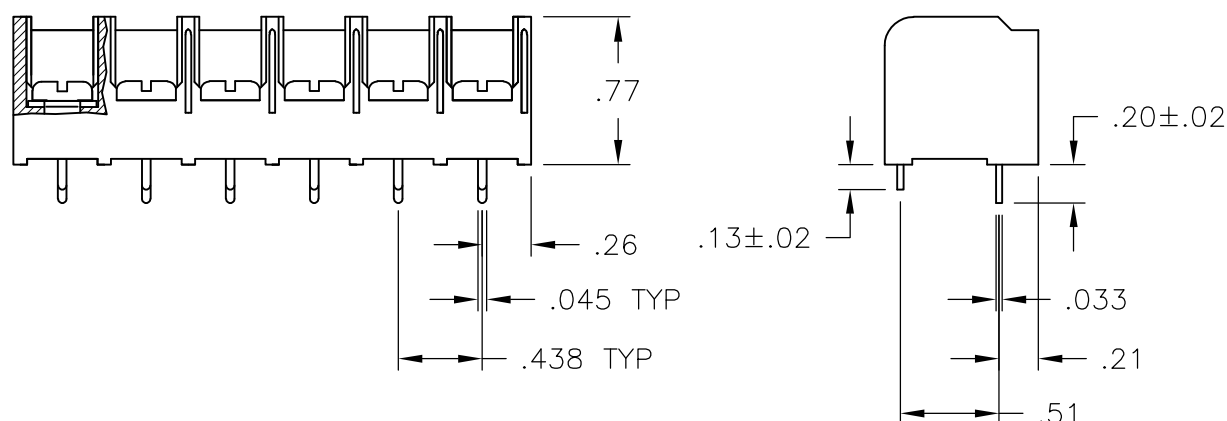
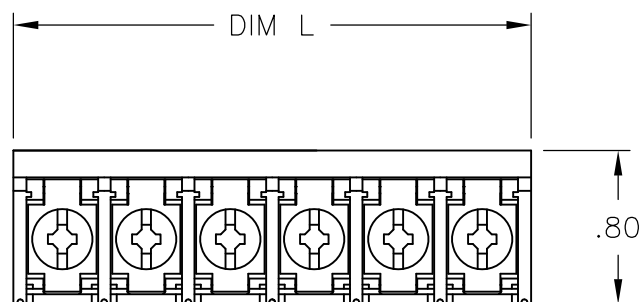
© COPYRIGHT BY TYCO ELECTRONICS CORPORATION. ALL RIGHTS RESERVED.

LOC FT	DIST 0	REVISIONS			
P	LTR	DESCRIPTION	DATE	DWN	APVD
	D	REVISED PER ECO-10-004812	04MAY10	HMR	CR

MATERIALS:  
 HOUSING: THERMOPLASTIC, UL94V-0, BLACK.  
 TERMINAL: BRIGHT TIN OVER COPPER ALLOY.  
 SCREWS: 8-32, ZINC PLATED STEEL.

ELECTRICAL:  
 CURRENT RATING: 30A  
 VOLTAGE RATING: 600V  
 WIRE RANGE: 10-18 AWG (UL)  
 10-22 AWG (CSA)

MECHANICAL:  
 RECOMMENDED TORQUE: 20 IN-LB.  
 OPERATING TEMP.: -40°C TO +120°C MAX.



RECOMMENDED PCB LAYOUT

8.823	20	8DBL-20-007	2-1546847-0
8.385	19	8DBL-19-007	1-1546847-9
7.948	18	8DBL-18-007	1-1546847-8
7.510	17	8DBL-17-007	1-1546847-7
7.073	16	8DBL-16-007	1-1546847-6
6.635	15	8DBL-15-007	1-1546847-5
6.198	14	8DBL-14-007	1-1546847-4
5.760	13	8DBL-13-007	1-1546847-3
5.323	12	8DBL-12-007	1-1546847-2
4.885	11	8DBL-11-007	1-1546847-1
4.448	10	8DBL-10-007	1-1546847-0
4.010	9	8DBL-09-007	1546847-9
3.573	8	8DBL-08-007	1546847-8
3.135	7	8DBL-07-007	1546847-7
2.698	6	8DBL-06-007	1-1437657-8
2.260	5	8DBL-05-007	796709-1
1.823	4	8DBL-04-007	1-1437657-4
1.385	3	8DBL-03-007	1546847-3
.948	2	8DBL-02-007	1437657-9
DIM L	NO OF POS	CATALOG NUMBER	TE NUMBER

THIS DRAWING IS A CONTROLLED DOCUMENT.		DWN S SCHLEGEL 10/25/06	Tyco Electronics Corporation Harrisburg, PA 17105-3608		
DIMENSIONS: INCHES		CHK S YODER 10/25/06	Tyco Electronics		
TOLERANCES UNLESS OTHERWISE SPECIFIED:		APVD S YODER 10/25/06	NAME		
0 PLC ± -		PRODUCT SPEC	8DBL-XX-007 ASSEMBLY		
1 PLC ± -		APPLICATION SPEC	SIZE	CAGE CODE	DRAWING NO
2 PLC ± .01		—	A3	00779	C-1-1437657-4
3 PLC ± .005		—	RESTRICTED TO		
4 PLC ± -		WEIGHT	—		
ANGLES ± 1°		CUSTOMER DRAWING			
MATERIAL		SCALE 1:1 SHEET 1 OF 1 REV D			
FINISH					