



Chipsmall Limited consists of a professional team with an average of over 10 year of expertise in the distribution of electronic components. Based in Hongkong, we have already established firm and mutual-benefit business relationships with customers from,Europe,America and south Asia,supplying obsolete and hard-to-find components to meet their specific needs.

With the principle of “Quality Parts,Customers Priority,Honest Operation,and Considerate Service”,our business mainly focus on the distribution of electronic components. Line cards we deal with include Microchip,ALPS,ROHM,Xilinx,Pulse,ON,Everlight and Freescale. Main products comprise IC,Modules,Potentiometer,IC Socket,Relay,Connector.Our parts cover such applications as commercial,industrial, and automotives areas.

We are looking forward to setting up business relationship with you and hope to provide you with the best service and solution. Let us make a better world for our industry!



## Contact us

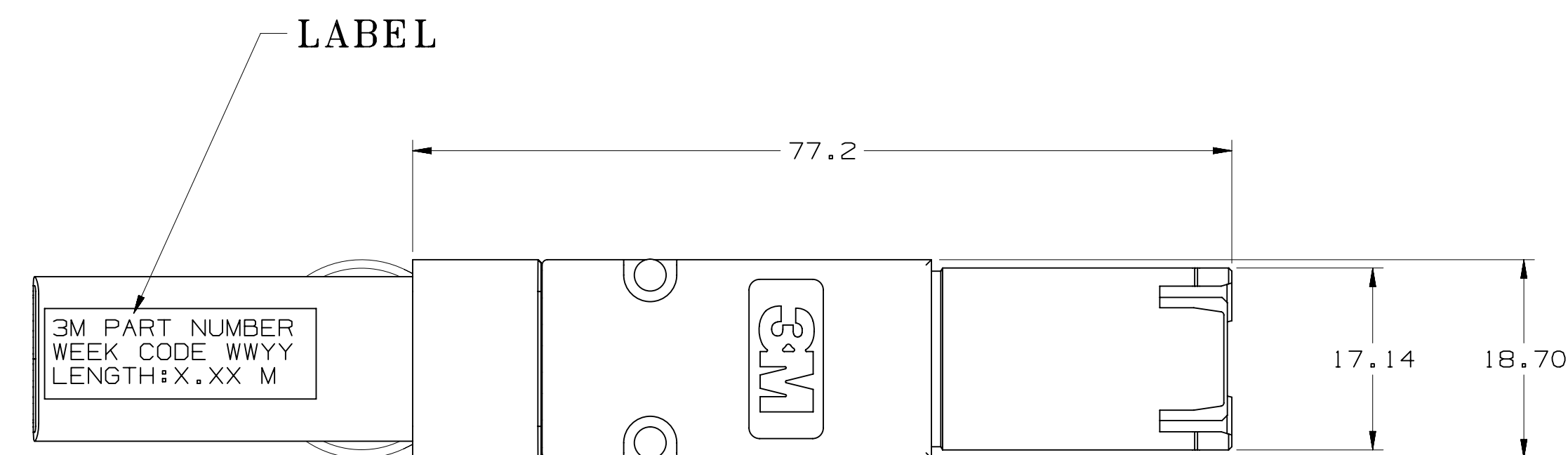
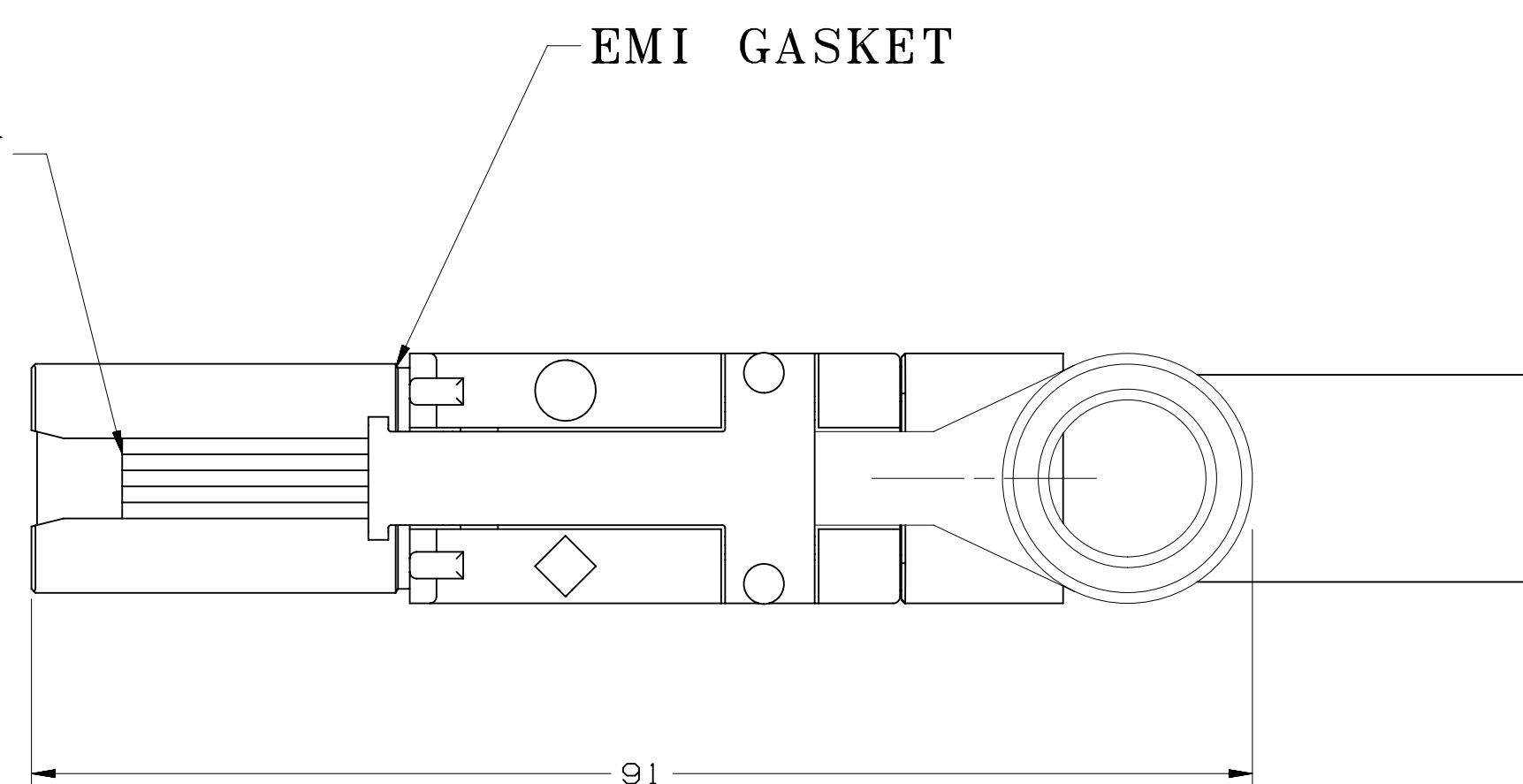
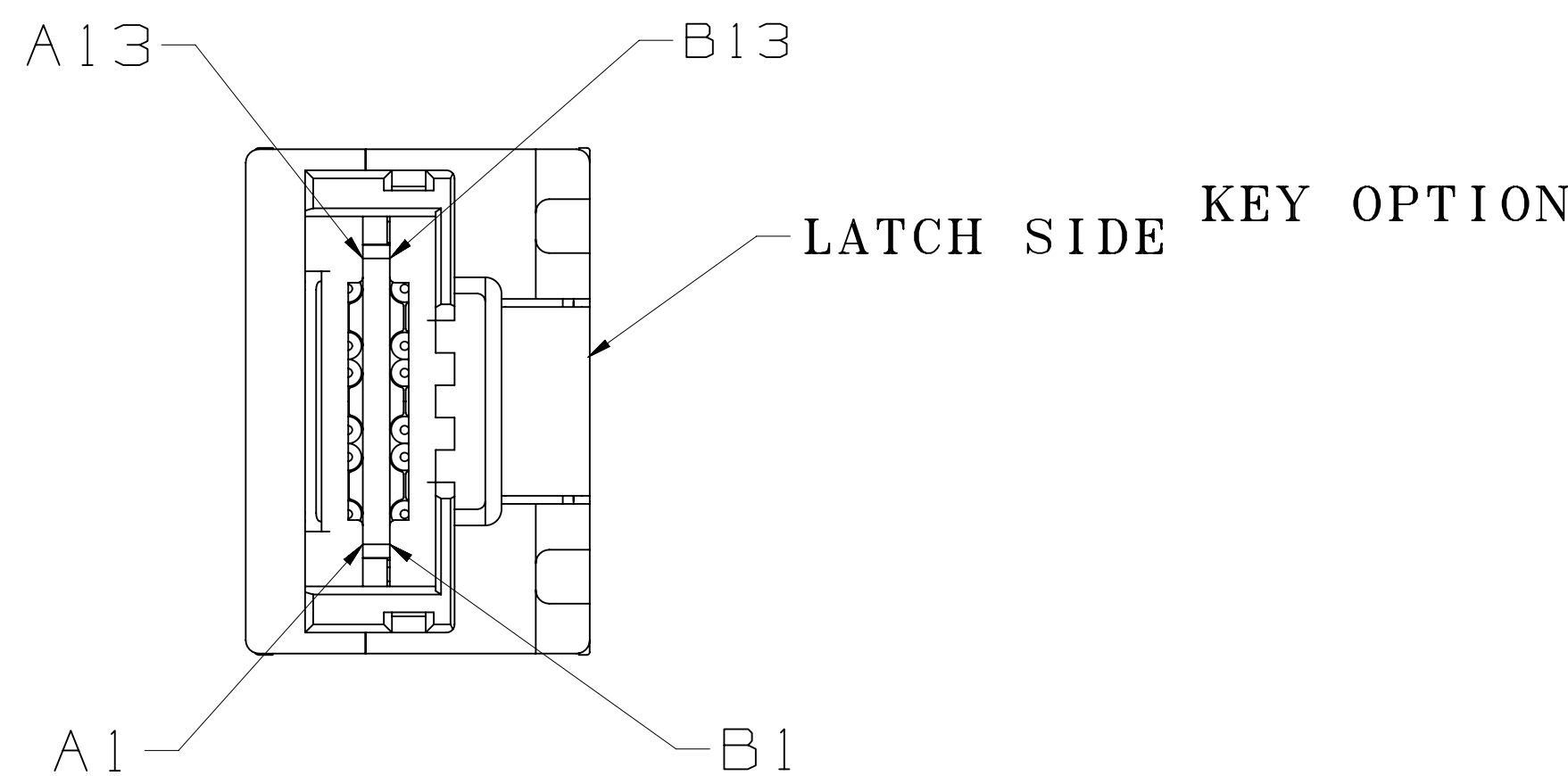
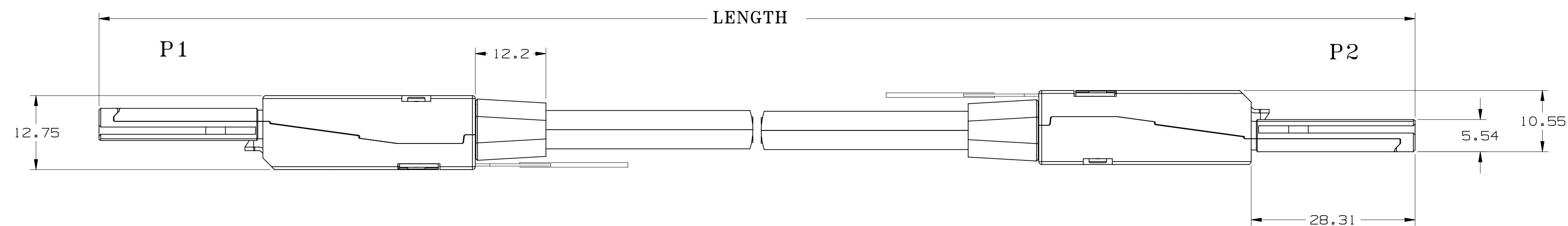
Tel: +86-755-8981 8866 Fax: +86-755-8427 6832

Email & Skype: info@chipsmall.com Web: www.chipsmall.com

Address: A1208, Overseas Decoration Building, #122 Zhenhua RD., Futian, Shenzhen, China

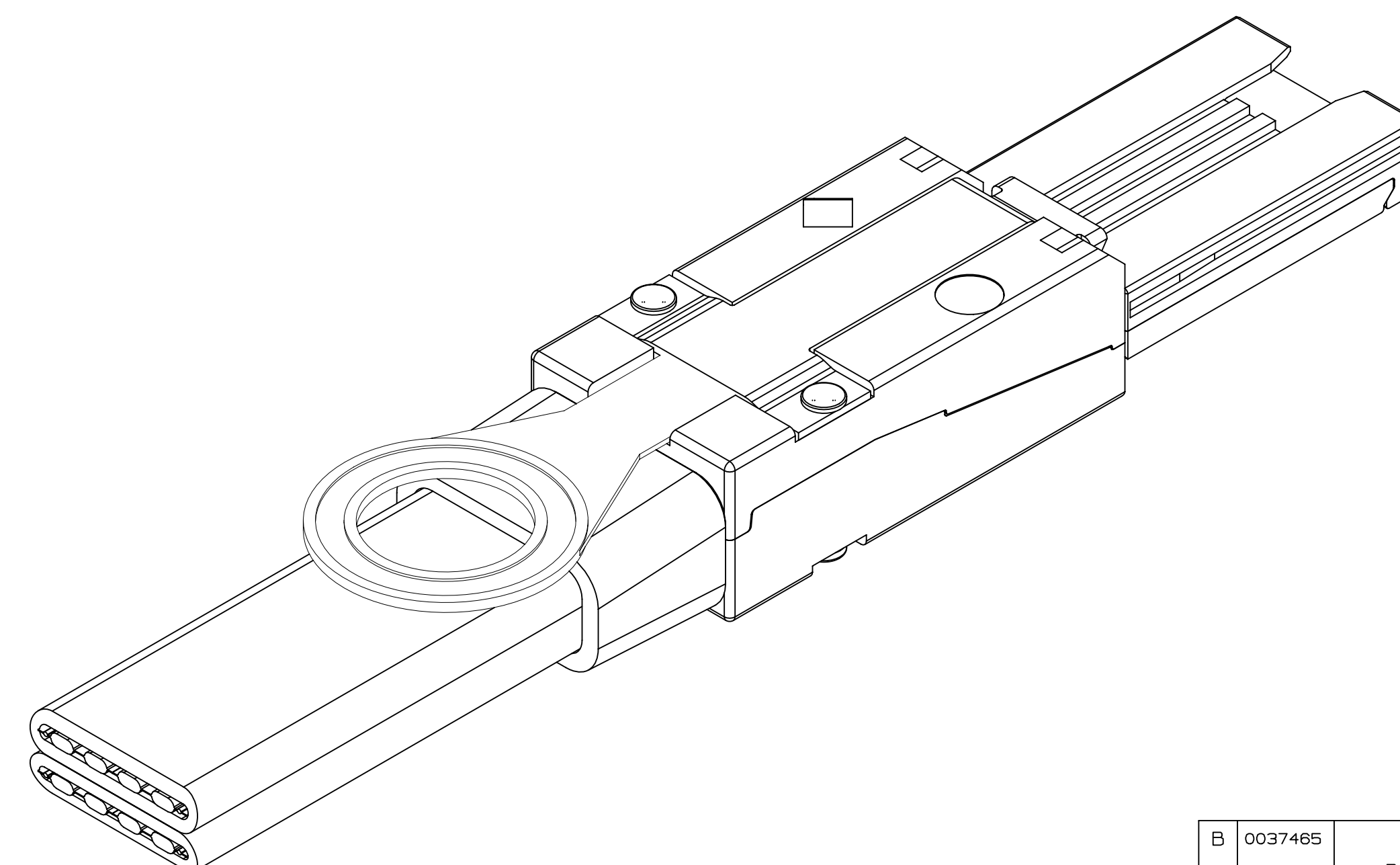


# 3M™ High Routability External MiniSAS Cable Assembly. 8G26 Series.



## NOTES:

- Material:
  - Backshells: Nickel Plated Zinc alloy.
  - Signal wire: Silver plated solid conductor  
AWG depends on length
  - Ground wire: Tin plated solid conductor
  - Jacket: PVC
  - Strain relief: PVC; Color: Black
  - Pull tab: Thermoplastic; Color: Blue
  - EMI Gasket: Conductive elastomer
- Product Specification : PS-0099.
- RoHS compliant: See regulatory information appendix in "RoHS compliance" section at [www.3Mconnectors.com](http://www.3Mconnectors.com) (E1 & C1 apply).
- Assembly meets SFF8086 and SFF8088
- Electrical performance per SAS 2.1
- Product mates to 3M 8A26 series receptacle and 8C26 series cage.
- For custom lengths contact 3M sales representative



3M PART NUMBER  
WEEK CODE WWYY  
LENGTH:X.XX M

LABEL ARTWORK

[WWW.3Mconnectors.com](http://WWW.3Mconnectors.com)

DESIGN REFERENCE	NEXT ASSEMBLY	REV	ECO	ISSUE DATE AND DESCRIPTION	DRFT	CHKD
		RAO VITTAPALLI		JUN 16, 2011		
		MARK LETTANG		SEP 07, 2011		
DIVISION		DIVISION CODE				
DO NOT SCALE DRAWING	SCALE 2/1	TOLERANCES EXCEPT AS NOTED				
THIRD ANGLE PROJECTION		INCHES				
INTERPRET PER ASME Y14.5 - 1994		MILLIMETERS				
MAX SURFACE ROUGHNESS 125		.00 ± .01				
☐ ALL SURFACES MARKED ONLY		.00 ± .025				
		.000 ± .050				
		ANGLES ±1°				
CAGE NUMBER		DRAWING NO.		REV.		
D 125		78-5100-4815-0		B		
MODEL		SHT		1 OF 2		

B	0037465	NOV 15, 2011	RAO MARK
A	0036190	SEP 07, 2011	RAO MARK
© 3M COPYR[IGHT] 2011 This document and the information it contains are 3M property and may not be reproduced or further distributed without 3M permission, or used or disclosed other than for 3M authorized purposes. All rights reserved.			
3M 3M Center St. Paul, MN 55144			
TITLE 3M EXTERNAL MINISAS TWINAX CABLE ASSY CUSTOMER DRAWING			

78-5100-4815-6



# 3M™ High Routability External MiniSAS Cable Assembly. 8G26 Series.

## PIN OUT

8G26-XA-XB1-00-X.XX

LENGTH IN Meters  
5.00(MAX)

### KEYING

U -2,4,6(P1-P2)  
C -2,4 AND 4,6

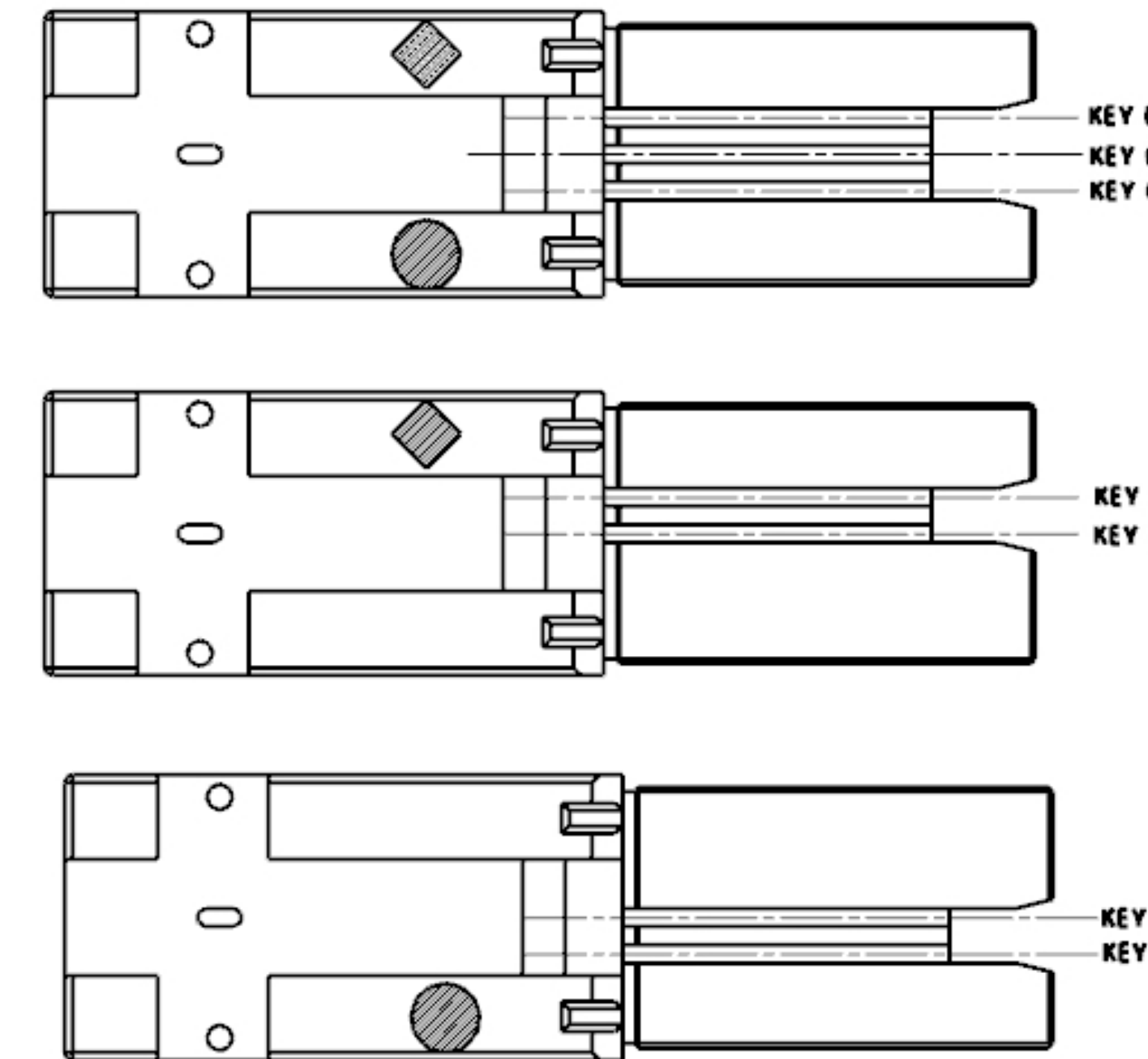
### AWG

0-30AWG  
8-28AWG

P1		P2	
A1	GND	B1	GND
A2	Rx 0+	B2	Tx 0+
A3	Rx 0-	B3	Tx 0-
A4	GND	B4	GND
A5	Rx 1+	B5	Tx 1+
A6	Rx1-	B6	Tx1-
A7	GND	B7	GND
A8	Rx 2+	B8	Tx 2+
A9	Rx2-	B9	Tx2-
A10	GND	B10	GND
A11	Rx 3+	B11	Tx 3+
A12	Rx 3-	B12	Tx 3-
A13	GND	B13	GND

P1		P2	
B1	GND	A1	GND
B2	Tx 0+	A2	Rx 0+
B3	Tx 0-	A3	Rx 0-
B4	GND	A4	GND
B5	Tx 1+	A5	Rx 1+
B6	Tx-	A6	Rx-
B7	GND	A7	GND
B8	Tx 2+	A8	Rx 2+
B9	Tx2-	A9	Rx2-
B10	GND	A10	GND
B11	Tx 3+	A11	Rx 3+
B12	Tx 3-	A12	Rx 3-
B13	GND	A13	GND

3M PART NUMBER	KEY SLOTS P1-P2	CABLE SIZE	LENGTH
8G26-0A-UB1-00-0.50	2,4,6 - 2,4,6	30 AWG	0.50 +/- 0.04 meters
8G26-0A-UB1-00-1.00	2,4,6 - 2,4,6	30 AWG	1.00 +/- 0.04 meters
8G26-0A-UB1-00-2.00	2,4,6 - 2,4,6	30 AWG	2.00 +/- 0.05 meters
8G26-0A-UB1-00-3.00	2,4,6 - 2,4,6	30 AWG	3.00 +/- 0.05 meters
8G26-8A-UB1-00-4.00	2,4,6 - 2,4,6	28 AWG	4.00 +/- 0.06 meters
8G26-8A-UB1-00-5.00	2,4,6 - 2,4,6	28 AWG	5.00 +/- 0.08 meters
8G26-0A-CB1-00-0.50	4,6 -2,4	30 AWG	0.50 +/- 0.04 meters
8G26-0A-CB1-00-1.00	4,6 -2,4	30 AWG	1.00 +/- 0.04 meters
8G26-0A-CB1-00-2.00	4,6 -2,4	30 AWG	2.00 +/- 0.05 meters
8G26-0A-CB1-00-3.00	4,6 -2,4	30 AWG	3.00 +/- 0.05 meters
8G26-8A-CB1-00-4.00	4,6 -2,4	28 AWG	4.00 +/- 0.06 meters
8G26-8A-CB1-00-5.00	4,6 -2,4	28 AWG	5.00 +/- 0.08 meters



MARK AND KEY COMBINATION

DESIGN REFERENCE	NEXT ASSEMBLY	REV	ECO	ISSUE DATE AND DESCRIPTION	DRFT	CHKD
		RAO VITTAPALLI		JUN 16, 2011		
		MARK LETTANG		SEP 07, 2011		
DO NOT SCALE DRAWING THIRD ANGLE PROJECTION INTERPRET PER ASME Y14.5 - 1994 MAX SURFACE ROUGHNESS 125 <input type="checkbox"/> ALL SURFACES <input checked="" type="checkbox"/> MARKED ONLY		SCALE 1/1 TOLERANCES EXCEPT AS NOTED INCHES .00 .000 ± .0000 ± MILLIMETERS 0 ±.1 .0 ±.25 .000 ±.050 ANGLES ±1°		DIVISION DIVISION CODE 3M Center St. Paul, MN 55144 © 3M COPYRIGHT 2011 This document and the information it contains are 3M property and may not be reproduced or further distributed without 3M permission, or used or disclosed other than for 3M authorized purposes. All rights reserved.		
TITLE 3M EXTERNAL MINISAS TWINAX CABLE ASSY CUSTOMER DRAWING		CAGE NUMBER D78-5100-4815-0		REV. B		

78-5100-4815-6  
DRAWING NUMBER  
REV B