



Chipsmall Limited consists of a professional team with an average of over 10 year of expertise in the distribution of electronic components. Based in Hongkong, we have already established firm and mutual-benefit business relationships with customers from,Europe,America and south Asia,supplying obsolete and hard-to-find components to meet their specific needs.

With the principle of "Quality Parts,Customers Priority,Honest Operation,and Considerate Service",our business mainly focus on the distribution of electronic components. Line cards we deal with include Microchip,ALPS,ROHM,Xilinx,Pulse,ON,Everlight and Freescale. Main products comprise IC,Modules,Potentiometer,IC Socket,Relay,Connector.Our parts cover such applications as commercial,industrial, and automotives areas.

We are looking forward to setting up business relationship with you and hope to provide you with the best service and solution. Let us make a better world for our industry!



## Contact us

Tel: +86-755-8981 8866 Fax: +86-755-8427 6832

Email & Skype: info@chipsmall.com Web: www.chipsmall.com

Address: A1208, Overseas Decoration Building, #122 Zhenhua RD., Futian, Shenzhen, China



3M™ Solder Cup D Sub Socket, 8000 Series

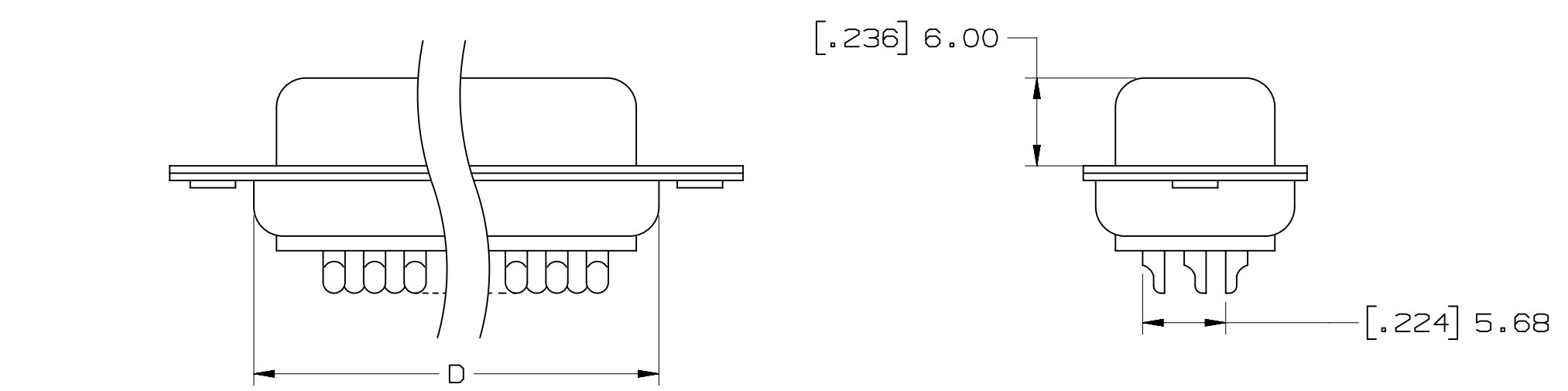
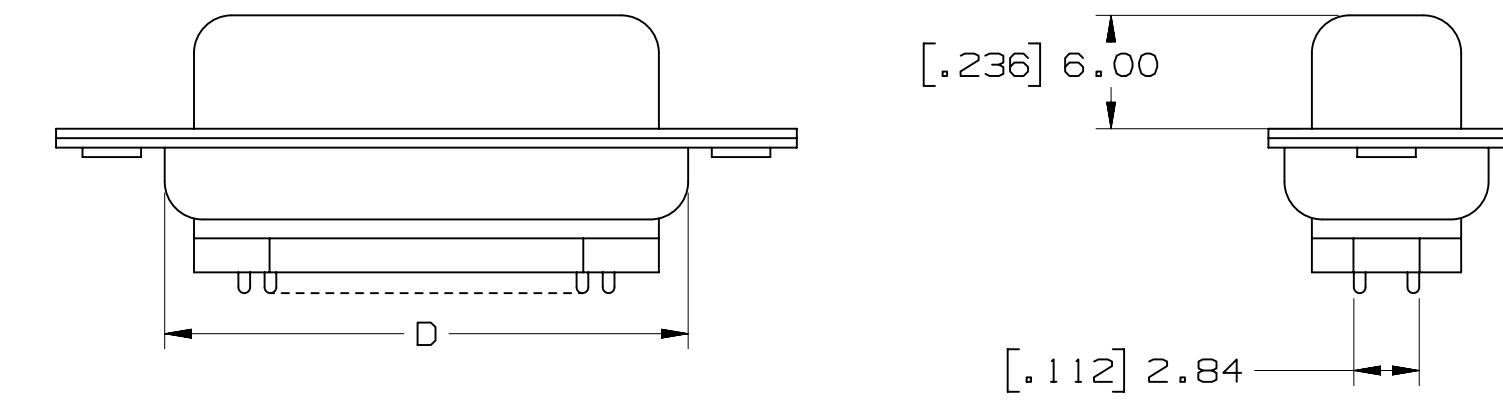
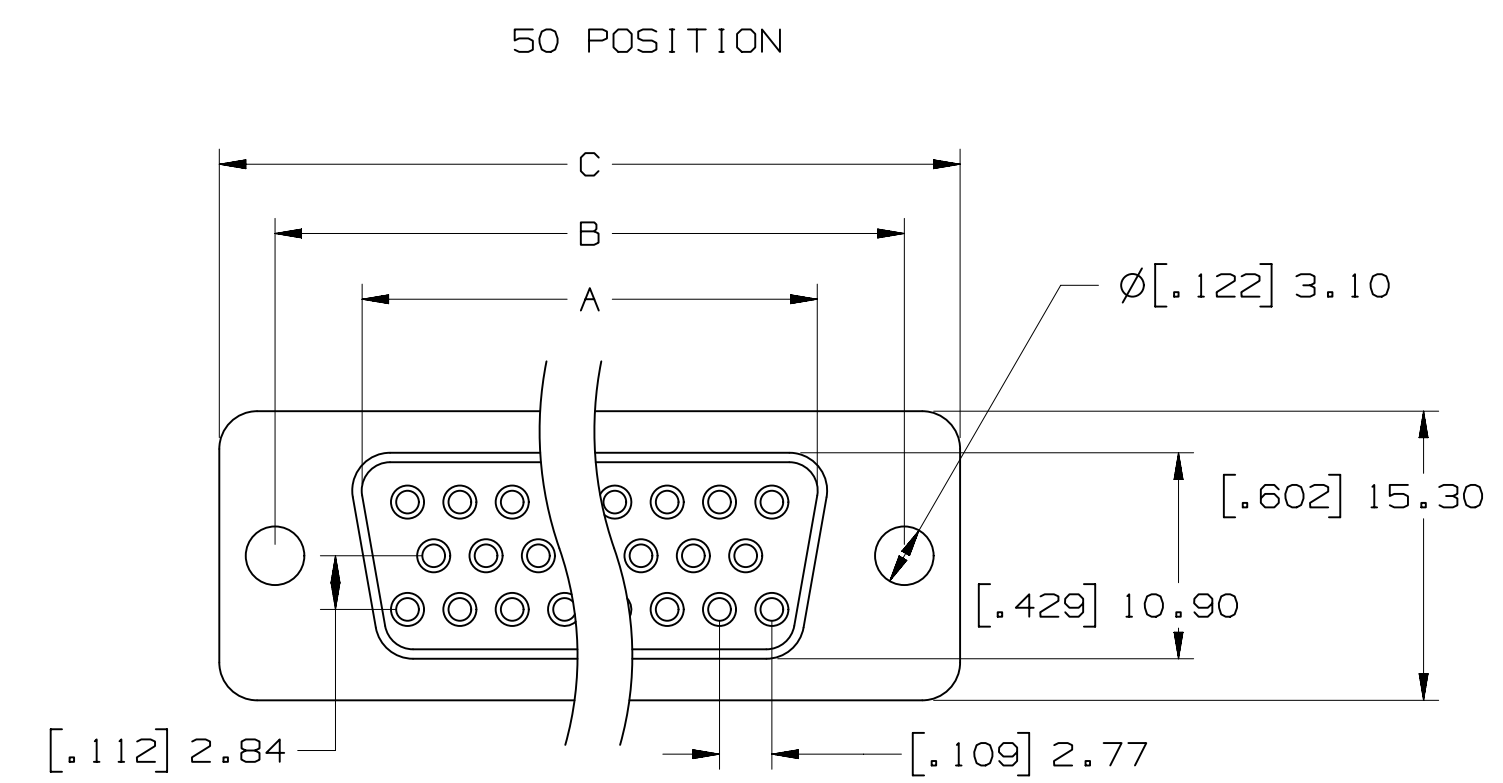
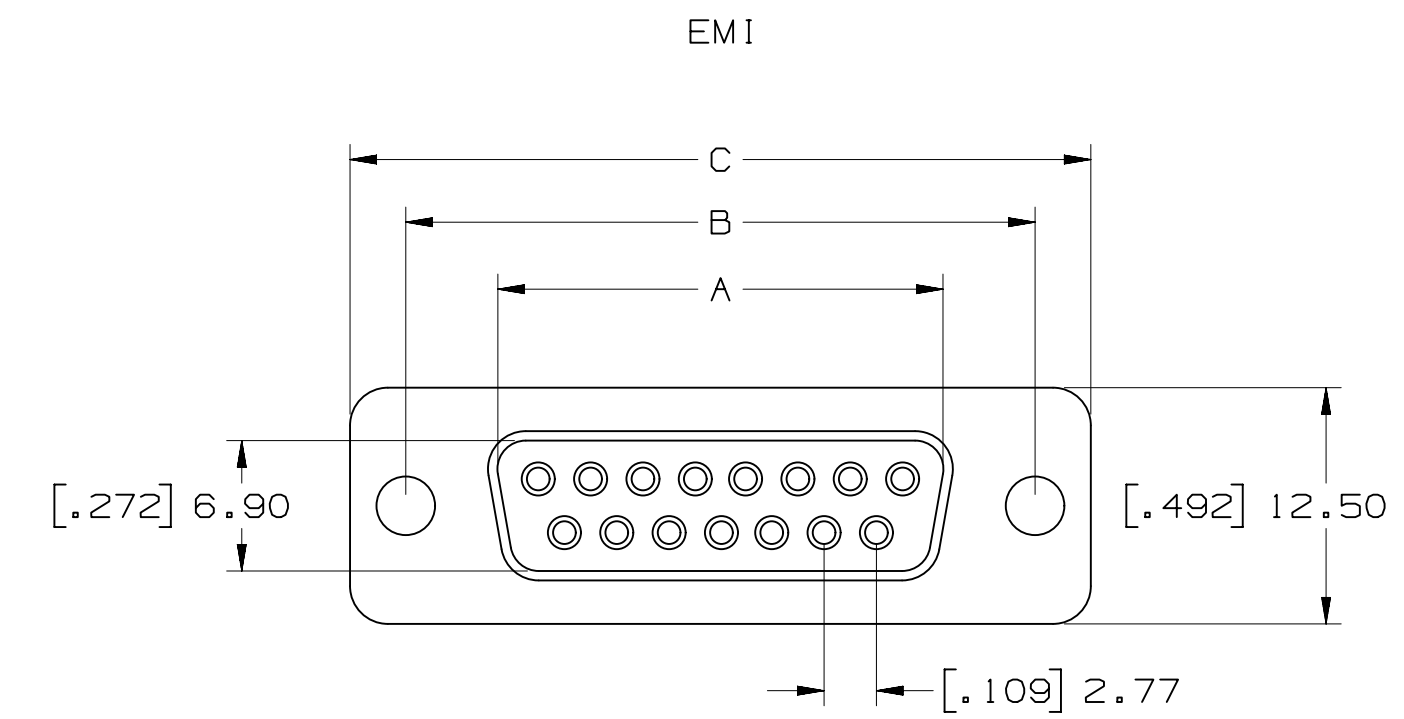
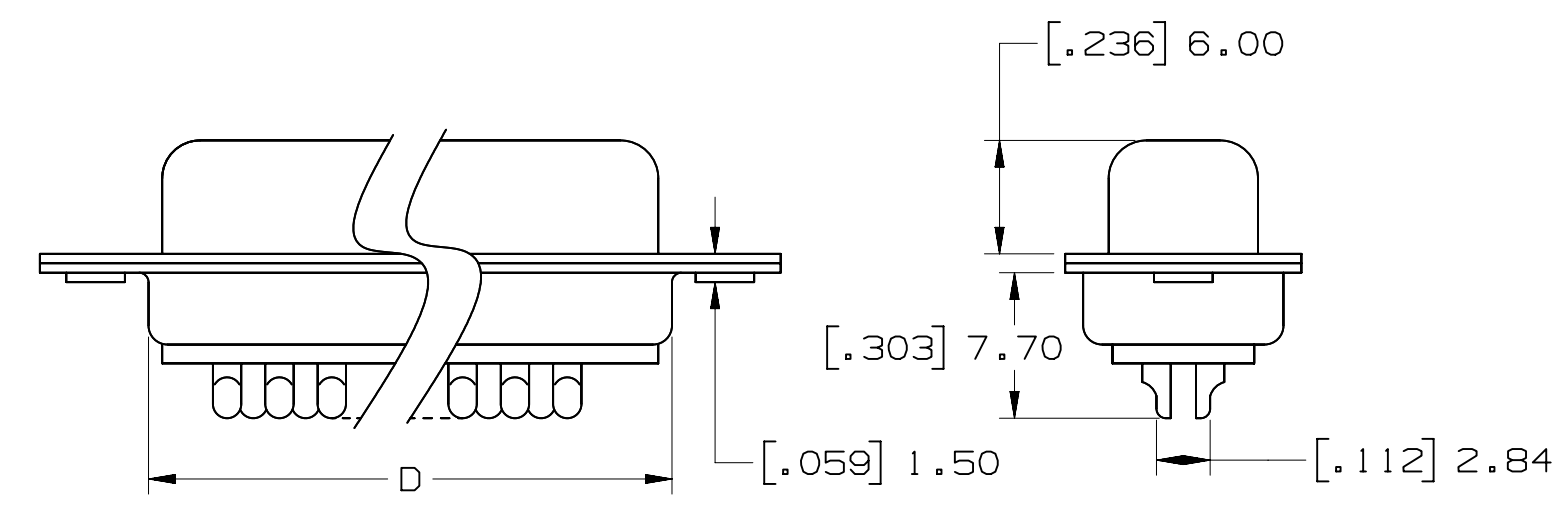
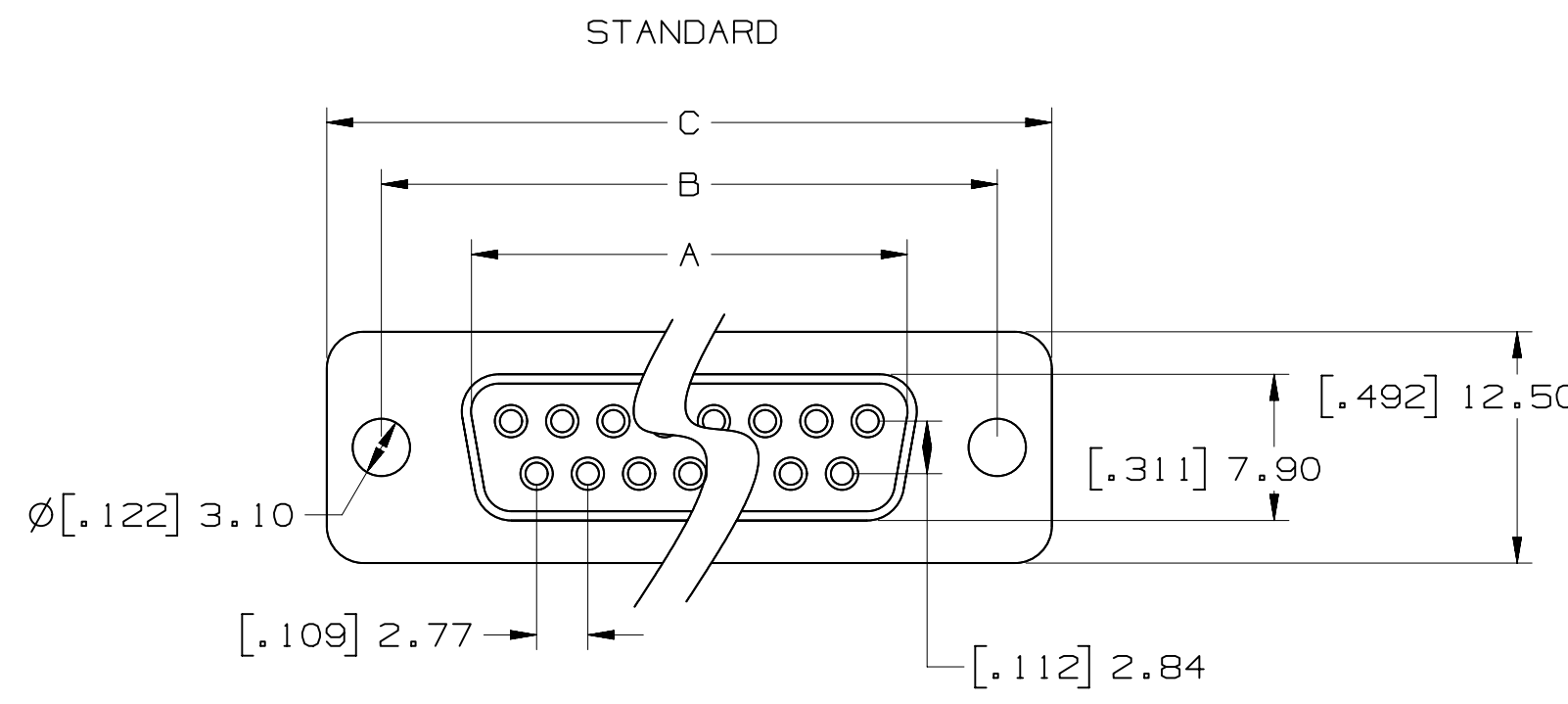
POSITION	A	B	C	D
9	[.642] 16.30	[.984] 25.00	[1.213] 30.80	[.756] 19.20
15	[.969] 24.60	[1.311] 33.30	[1.543] 39.20	[1.091] 27.70
25	[1.508] 38.30	[2.248] 57.10	[2.091] 53.10	[1.618] 41.10
37	[2.157] 54.80	[2.500] 63.50	[2.732] 69.40	[2.256] 57.30
50*	[2.055] 52.20	[2.402] 61.00	[2.638] 67.00	[2.169] 55.10

\*50 POSITION AVAILABLE IN STANDARD ONLY

PERFORMANCE	
OPERATION VOLTAGE:	250V MAX.
CURRENT:	3A MAX.
INSULATION RESISTANCE:	3000 MOhm MIN @ 500VDC
WITHSTANDING VOLTAGE:	1000 VAC / MIN.
TEMPERATURE RATING:	-55°C to 105°C
CONTACT RESISTANCE:	15 mOhms MAX.

NOTES

- MATERIAL:  
THERMAL PLASTIC UL94V-0  
CONTACTS:  
COPPER ALLOY  
SHELL:  
G3141 SPCC OR EQUIVALENT
- PLATING:  
50μ" NICKEL UNDERPLATE  
1μ" AU WIPING AREA OR  
30μ" AU WIPING AREA  
100-200μ" TIN (BRIGHT TIN) SOLDER TAIL
- MATES WITH:  
BPXX-X00X
- SEE THE REGULATORY INFORMATION APPENDIX (RIA) IN "ROHS" COMPLIANCE SECTION OF WWW.3MCONNECTOR.COM FOR COMPLIANCE INFORMATION (RIA E1 & C1 APPLY)



8RXX - X00X

NUMBER OF CONTACTS (SEE TABLE)  
EMI  
N - STANDARD  
E - EMI

PLATING  
1 - AU FLASH  
2 - 30μ" AU

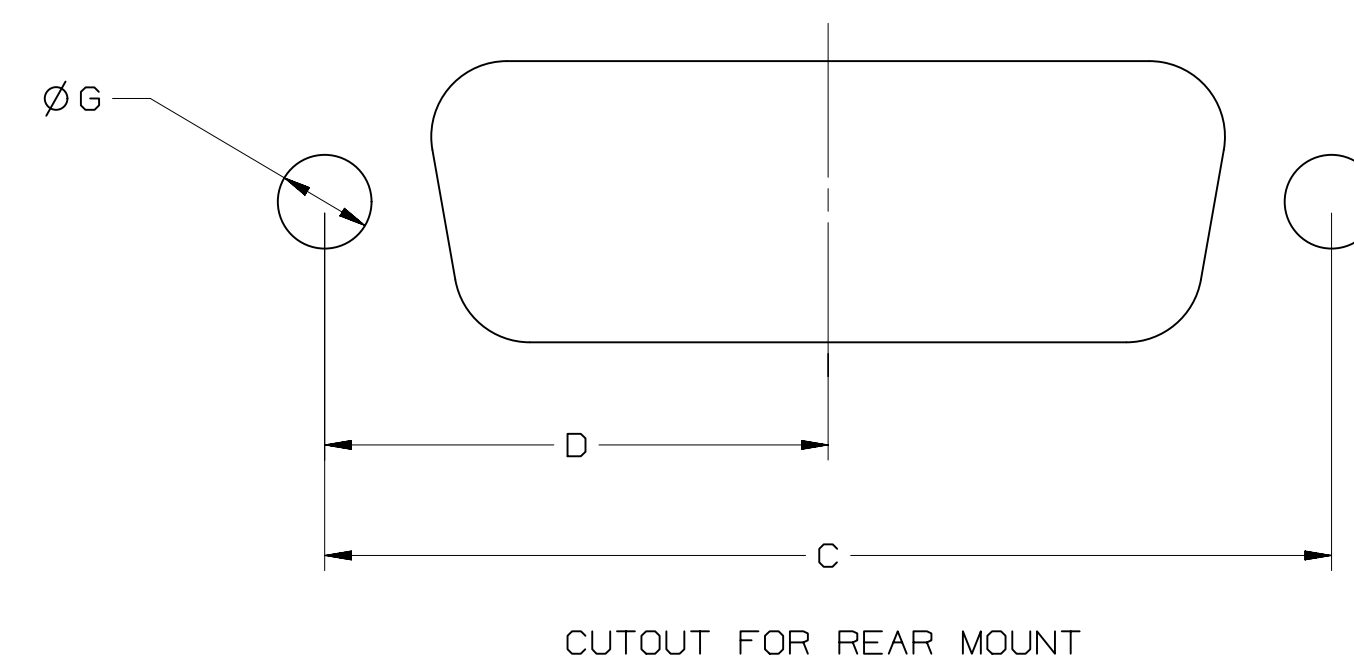
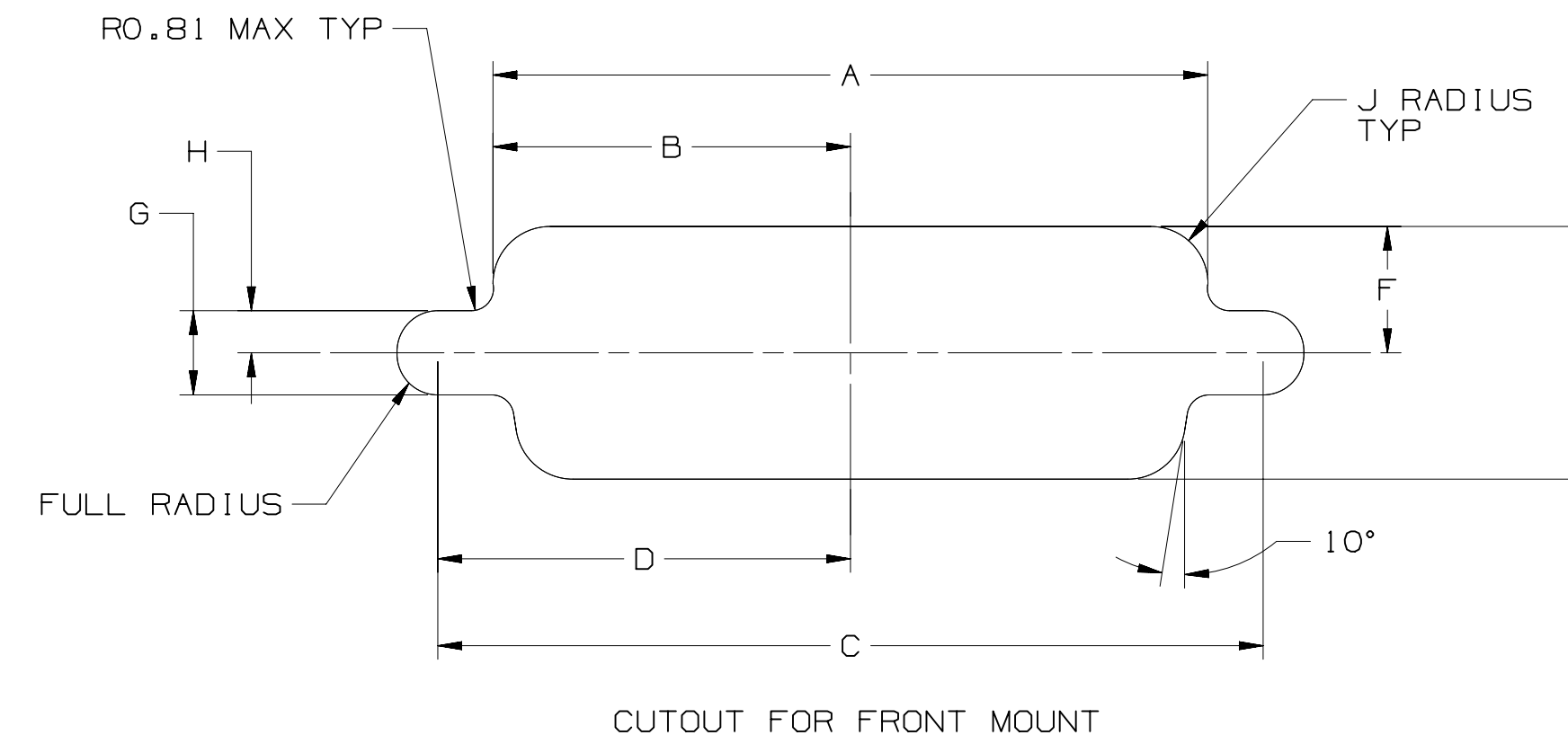
Unless otherwise noted, references to industry specifications are intended to indicate substantial compliance to the material elements of the specification. Such references should not be construed as a guarantee of compliance to all requirements in a given specification.

3M ELECTRONIC SOLUTIONS DIVISION  
INTERCONNECT SOLUTIONS  
<http://www.3mconnectors.com>  
3M IS A TRADEMARK OF 3M COMPANY.  
FOR TECHNICAL, SALES OR ORDERING INFORMATION, CALL 800-225-5373

DESIGN REFERENCE	NEXT ASSEMBLY	REV	ECO	ISSUE DATE AND DESCRIPTION	DRFT	CHKD
		SJS		MAY 18, 2011		
		ARM		MAY 18, 2011		
DIVISION	DIVISION CODE	© 3M COPYRIGHT 2013 This document and the information it contains are 3M property and may not be reproduced or further distributed without 3M permission, or used or disclosed other than for 3M authorized purposes. All rights reserved.				
DO NOT SCALE DRAWING	SCALE 1/1	<b>3M</b> 3M Center St. Paul, MN 55144				
THIRD ANGLE PROJECTION	TOLERANCES EXCEPT AS NOTED	TITLE 8RXX-X00X D-SUB SOLDER CUP SOCKET TS-2402				
INTERPRET PER ASME Y14.5 - 1994	INCHES 0 + .00 - .000 + .000 - .000	CAGE NUMBER D78-5100-2402-5				
MAX SURFACE ROUGHNESS 125 ALL SURFACES MARKED ONLY	MILLIMETERS 0 + .1 - .05 + .005 - .005	DRAWING NO. D78-5100-2402-5				
	ANGLES ±1°	REV. C SHT 1 OF 2				

78-5100-2402-5

POSITION	MOUNTING METHOD	A	B	C	D	E	F	G	H	J
9	FRONT	.874( 22.2 )	.437( 11.1 )	.984( 25.0 )	.492( 12.5 )	.513( 13.0 )	.257( 6.5 )	.120( 3.1 )	.060( 1.5 )	.083( 2.1 )
	REAR	.806( 20.5 )	.403( 10.2 )	.984( 25.0 )	.492( 12.5 )	.449( 11.4 )	.225( 5.7 )	.120( 3.1 )	.060( 1.5 )	.132( 3.4 )
15	FRONT	1.202( 30.5 )	.601( 15.3 )	1.312( 33.3 )	.656( 16.7 )	.513( 13.0 )	.257( 6.5 )	.120( 3.1 )	.060( 1.5 )	.083( 2.1 )
	REAR	1.134( 28.8 )	.567( 14.4 )	1.312( 33.3 )	.656( 16.7 )	.449( 11.4 )	.225( 5.7 )	.120( 3.1 )	.060( 1.5 )	.132( 3.4 )
25	FRONT	1.743( 44.3 )	.872( 22.2 )	1.852( 47.0 )	.926( 23.5 )	.513( 13.0 )	.257( 6.5 )	.120( 3.1 )	.060( 1.5 )	.083( 2.1 )
	REAR	1.674( 42.5 )	.837( 21.3 )	1.852( 47.0 )	.926( 23.5 )	.449( 11.4 )	.225( 5.7 )	.120( 3.1 )	.060( 1.5 )	.132( 3.4 )
37	FRONT	2.391( 60.7 )	1.196( 30.4 )	2.500( 63.5 )	1.250( 31.8 )	.513( 13.0 )	.257( 6.5 )	.120( 3.1 )	.060( 1.5 )	.083( 2.1 )
	REAR	2.326( 59.1 )	1.163( 29.5 )	2.500( 63.5 )	1.250( 31.8 )	.449( 11.4 )	.225( 5.7 )	.120( 3.1 )	.060( 1.5 )	.132( 3.4 )
50	FRONT	2.297( 58.3 )	1.149( 29.2 )	2.406( 61.1 )	1.203( 30.6 )	.623( 15.8 )	.312( 7.9 )	.120( 3.1 )	.060( 1.5 )	.083( 2.1 )
	REAR	2.218( 56.3 )	1.109( 28.2 )	2.406( 61.1 )	1.203( 30.6 )	.555( 14.1 )	.278( 7.1 )	.120( 3.1 )	.060( 1.5 )	.132( 3.4 )



REV	ECO	ISSUE DATE AND DESCRIPTION	DRFT	CHKD
C	46292	MAR 28, 2013 CORRECT SHELL MATL	SJS	ARM
B	34516	AUG 29, 2011 CHANGE MOHMS TO mOHMS, UPDATE ROHS	SJS	ARM
A	34511	MAY 18, 2011 MAY 18, 2011	SJS	ARM

DESIGN REFERENCE	NEXT ASSEMBLY	REV	ECO	ISSUE DATE AND DESCRIPTION	DRFT	CHKD
		SJS		MAY 18, 2011		
		ARM		MAY 18, 2011		
DIVISION	DIVISION CODE	© 3M COPYR[IGHT] 2013 This document and the information it contains are 3M property and may not be reproduced or further distributed without 3M permission, or used or disclosed other than for 3M authorized purposes. All rights reserved.				
DO NOT SCALE DRAWING	SCALE 1/1	TOLERANCES EXCEPT AS NOTED		<b>3M</b> Center St. Paul, MN 55144		
THIRD ANGLE PROJECTION		INCHES .00 ± .000 ± .0000 ±		TITLE <b>8RXX-X00X D-SUB          SOLDER CUP SOCKET          TS-2402</b>		
INTERPRET PER ASME Y14.5 - 1994		MILLIMETERS 0 ± 1 .0 ± .5 .00 ± .05 .000 ± .005		CAGE NUMBER <b>D78-5100-2402-5</b>		
MAX SURFACE ROUGHNESS 125	<input type="checkbox"/> ALL SURFACES <input checked="" type="checkbox"/> MARKED ONLY	ANGLES ± 1°		DRAWING NO. <b>D78-5100-2402-5</b>		
				MODEL <b>BR</b>		

78-5100-2402-5  
DRAWING NUMBER

A

SHT 2 OF 2