



Chipsmall Limited consists of a professional team with an average of over 10 year of expertise in the distribution of electronic components. Based in Hongkong, we have already established firm and mutual-benefit business relationships with customers from,Europe,America and south Asia,supplying obsolete and hard-to-find components to meet their specific needs.

With the principle of “Quality Parts,Customers Priority,Honest Operation,and Considerate Service”,our business mainly focus on the distribution of electronic components. Line cards we deal with include Microchip,ALPS,ROHM,Xilinx,Pulse,ON,Everlight and Freescale. Main products comprise IC,Modules,Potentiometer,IC Socket,Relay,Connector.Our parts cover such applications as commercial,industrial, and automotives areas.

We are looking forward to setting up business relationship with you and hope to provide you with the best service and solution. Let us make a better world for our industry!



Contact us

Tel: +86-755-8981 8866 Fax: +86-755-8427 6832

Email & Skype: info@chipsmall.com Web: www.chipsmall.com

Address: A1208, Overseas Decoration Building, #122 Zhenhua RD., Futian, Shenzhen, China



Description

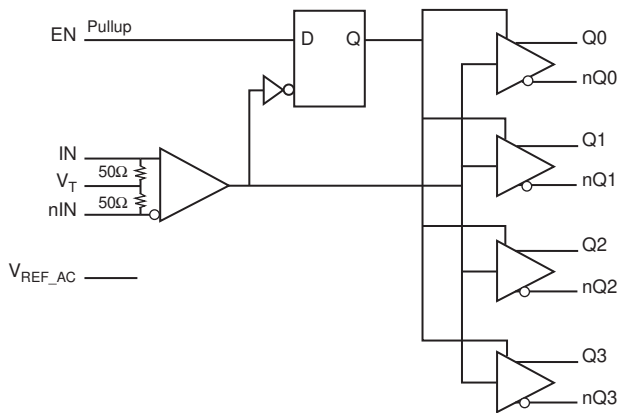
The 8S898311 is a high speed 1-to-4 Differential- to-LVPECL/ECL Fanout Buffer. The 8S898311 is optimized for high speed and very low output skew, making it suitable for use in demanding applications such as SONET, 1 Gigabit and 10 Gigabit Ethernet, and Fiber Channel. The internally terminated differential input and VREF_AC pin allow other differential signal families such as LVDS, LVHSTL and CML to be easily interfaced to the input with minimal use of external components.

The device also has an output enable pin which may be useful for system test and debug purposes. The 8S898311 is packaged in a small 3mm x 3mm 16-pin VFQFN package which makes it ideal for use in space-constrained applications.

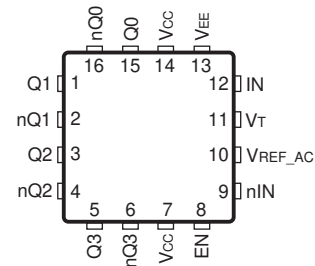
Features

- Four LVPECL/ECL outputs
- IN, nIN input can accept the following differential input levels: LVPECL, LVDS, CML, SSTL
- 50Ω internal input termination to V_T
- Output frequency: >2.1GHz
- Output skew: 30ps (maximum)
- Part-to-part skew: 185ps (maximum)
- Additive phase jitter, RMS: 0.31ps (typical)
- Propagation Delay: 570ps (maximum)
- LVPECL mode operating voltage supply range: V_{CC} = 2.5V±5%, 3.3V±5%, V_{EE} = 0V
- ECL mode operating voltage supply range: V_{CC} = 0V, V_{EE} = -3.3V±5%, -2.5V±5%
- -40°C to 85°C ambient operating temperature
- Available in lead-free (RoHS 6) package
- Supports ≤105°C board temperature operations

Block Diagram



Pin Assignment



8S898311

16-Lead VFQFN

3mm x 3mm x 0.925mm package body

K Package

Top View

Table 1. Pin Descriptions

Number	Name	Type		Description
1, 2	Q1, nQ1	Output		Differential output pair. LVPECL/ECL interface levels.
3, 4	Q2, nQ2	Output		Differential output pair. LVPECL/ECL interface levels.
5, 6	Q3, nQ3	Output		Differential output pair. LVPECL/ECL interface levels.
7, 14	V_{CC}	Power		Power supply pins.
8	EN	Input	Pullup	Synchronizing clock enable. When LOW, Qx outputs will go LOW and nQx outputs will go HIGH on the next LOW transition at IN input. Input threshold is $V_{CC}/2$. Includes a 37k Ω pull-up resistor. Default state is HIGH when left floating. The internal latch is clocked on the falling edge of the input signal IN. LVTTTL / LVCMOS interface levels.
9	nIN	Input		Inverting differential LVPECL clock input. RT = 50 Ω termination to V_T .
10	V_{REF_AC}	Output		Reference voltage for AC-coupled applications.
11	V_T	Input		Termination input. $I_{REF_AC} (max.) < \pm 2mA$.
12	IN	Input		Non-inverting LVPECL differential clock input. RT = 50 Ω termination to V_T .
13	V_{EE}	Power		Negative supply pin.
15, 16	Q0, nQ0	Output		Differential output pair. LVPECL/ECL interface levels.

NOTE: *Pullup* refers to internal input resistors. See Table 2, *Pin Characteristics*, for typical values.

Table 2. Pin Characteristics

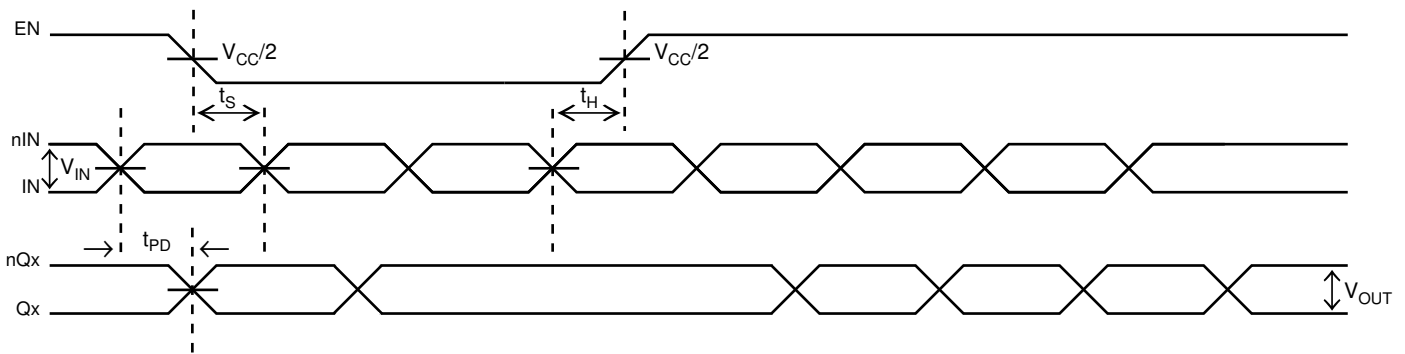
Symbol	Parameter	Test Conditions	Minimum	Typical	Maximum	Units
R_{PULLUP}	Input Pullup Resistor			37		k Ω

Function Tables

Table 3A. Control Input Function Table

Input	Outputs	
EN	Q0:Q3	nQ0:nQ3
0	Disabled; LOW	Disabled; HIGH
1	Enabled	Enabled

NOTE: After EN switches, the clock outputs are disabled or enabled following a falling input clock edge as shown in *Figure 1*.


Figure 1. EN Timing Diagram
Table 3B. Truth Table

Inputs			Outputs	
IN	nIN	EN	Q0:Q3	nQ0:nQ3
0	1	1	0	1
1	0	1	1	0
X	X	0	0 (NOTE 1)	1(NOTE 1)

NOTE 1: On the next negative transition of the input signal (IN).

Absolute Maximum Ratings

Stresses beyond those listed under *Absolute Maximum Ratings* may cause permanent damage to the device. These ratings are stress specifications only. Functional operation of product at these conditions or any conditions beyond those listed in the *DC Characteristics* or *AC Characteristics* is not implied. Exposure to absolute maximum rating conditions for extended periods may affect product reliability.

Item	Rating
Supply Voltage, V_{CC}	4.6V (LVPECL mode, $V_{EE} = 0V$)
Negative Supply Voltage, V_{EE}	-4.6V (ECL mode, $V_{CC} = 0V$)
Inputs, V_I (LVPECL mode)	-0.5V to $V_{CC} + 0.5V$
Inputs, V_I (ECL mode)	0.5V to $V_{EE} - 0.5V$
Outputs, I_O Continuous Current Surge Current	50mA 100mA
Input Current, I_N , nI_N	$\pm 50mA$
V_T Current, I_{VT}	$\pm 100mA$
V_{REF_AC} Input Sink/Source Current, I_{REF_AC}	$\pm 2mA$
Junction Temperature, T_j	125°C
Storage Temperature, T_{STG}	-65°C to 150°C

DC Electrical Characteristics

Table 4A. Power Supply DC Characteristics, $V_{CC} = 2.5V \pm 5\%$, $3.3V \pm 5\%$, $T_A = -40^\circ\text{C}$ to 85°C or $T_B = -40^\circ\text{C}$ to 105°C

Symbol	Parameter	Test Conditions	Minimum	Typical	Maximum	Units
V_{CC}	Positive Supply Voltage		2.375	3.3	3.465	V
I_{EE}	Power Supply Current				45	mA

Table 4B. LVCMOS/LVTTL DC Characteristics, $V_{CC} = 2.5V \pm 5\%$, $3.3V \pm 5\%$, $T_A = -40^\circ\text{C}$ to 85°C or $T_B = -40^\circ\text{C}$ to 105°C

Symbol	Parameter	Test Conditions	Minimum	Typical	Maximum	Units
V_{IH}	Input High Voltage		2.2		$V_{CC} + 0.3$	V
V_{IL}	Input Low Voltage		0		0.8	V
I_{IH}	Input High Current	$V_{CC} = V_{IN} = 3.465V$			10	μA
I_{IL}	Input Low Current	$V_{CC} = 3.465V, V_{IN} = 0V$	-150			μA

Table 4C. Differential DC Characteristics, $V_{CC} = 2.5V \pm 5\%$, $3.3V \pm 5\%$, $T_A = -40^\circ\text{C}$ to 85°C or $T_B = -40^\circ\text{C}$ to 105°C

Symbol	Parameter	Test Conditions	Minimum	Typical	Maximum	Units
R_{IN}	Differential Input Resistance	(IN, nIN) IN to VT, nIN to VT	40	50	60	Ω
V_{IH}	Input High Voltage	(IN, nIN)	1.2		V_{CC}	V
V_{IL}	Input Low Voltage	(IN, nIN)	0		$V_{IH} - 0.15$	V
V_{IN}	Input Voltage Swing		0.15		1.2	V
V_{DIFF_IN}	Differential Input Voltage Swing		0.3			V
I_{IN}	Input Current; NOTE 1	(IN, nIN)			35	mA
V_{REF_AC}	Bias Voltage		$V_{CC} - 1.45$	$V_{CC} - 1.37$	$V_{CC} - 1.32$	V

NOTE 1: Guaranteed by design.

Table 4D. LVPECL DC Characteristics, $V_{CC} = 2.5V \pm 5\%$, $3.3V \pm 5\%$, $T_A = -40^\circ\text{C}$ to 85°C or $T_B = -40^\circ\text{C}$ to 105°C

Symbol	Parameter	Test Conditions	Minimum	Typical	Maximum	Units
V_{OH}	Output High Voltage; NOTE 1		$V_{CC} - 1.175$		$V_{CC} - 0.85$	V
V_{OL}	Output Low Voltage; NOTE 1		$V_{CC} - 2.0$		$V_{CC} - 1.575$	V
V_{OUT}	Output Voltage Swing		0.6		1.0	V
V_{DIFF_OUT}	Differential Output Voltage Swing		1.2		2.0	V

NOTE 1: Outputs terminated with 50Ω to $V_{CC} - 2V$.

AC Electrical Characteristics

Table 5. AC Characteristics, $V_{CC} = 0V$; $V_{EE} = -3.3V \pm 5\%$, $-2.5V \pm 5\%$ or $V_{CC} = 2.5V \pm 5\%$, $3.3V \pm 5\%$, $V_{EE} = 0V$, $T_A = -40^\circ C$ to $85^\circ C$ or $T_B = -40^\circ C$ to $105^\circ C$

Symbol	Parameter		Test Conditions	Minimum	Typical	Maximum	Units
f_{MAX}	Output Frequency		Output Swing $\geq 450mV$	2.1			GHz
t_{PD}	Propagation Delay; (Differential); NOTE 1		Input Swing: 150mV	300		570	ps
			Input Swing: 800mV	255		510	ps
$t_{sk(o)}$	Output Skew; NOTE 2, 4					30	ps
$t_{sk(pp)}$	Part-to-Part Skew; NOTE 3, 4					185	ps
f_{jit}	Buffer Additive Jitter; RMS; refer to Additive Phase Jitter Section		155.52MHz, Integration Range: 12kHz – 20MHz		0.31		ps
t_S	Clock Enable Setup Time	EN to IN/nIN		300			ps
t_H	Clock Enable Hold Time	EN to IN/nIN		300			ps
t_R / t_F	Output Rise/Fall Time		20% to 80%	100		250	ps

NOTE: Electrical parameters are guaranteed over the specified ambient operating temperature range, which is established when the device is mounted in a test socket with maintained transverse airflow greater than 500 lfpm. The device will meet specifications after thermal equilibrium has been reached under these conditions.

NOTE: All parameters characterized at $\leq 1GHz$ unless otherwise noted.

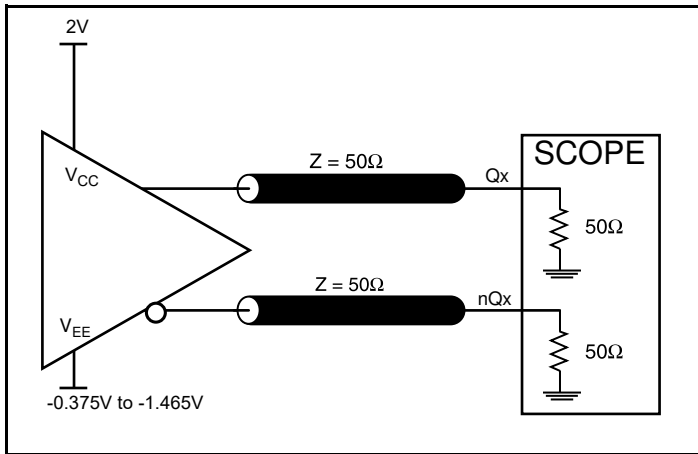
NOTE 1: Measured from the differential input crossing point to the differential output crossing point.

NOTE 2: Defined as skew between outputs at the same supply voltage and with equal load conditions. Measured at the output differential cross points.

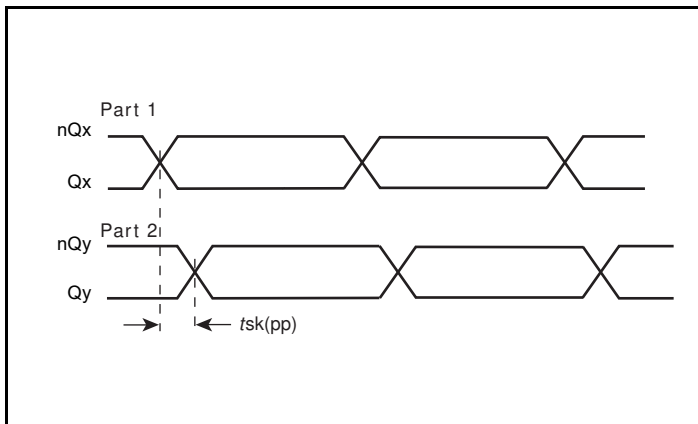
NOTE 3: Defined as skew between outputs on different devices operating at the same supply voltage and with equal load conditions. Using the same type of inputs on each device, the outputs are measured at the differential cross points.

NOTE 4: This parameter is defined in accordance with JEDEC Standard 65.

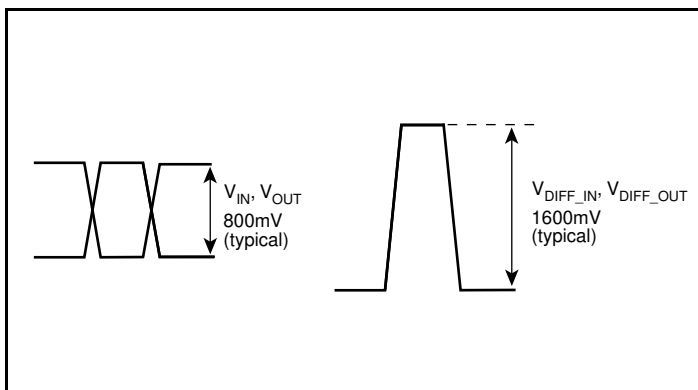
Parameter Measurement Information



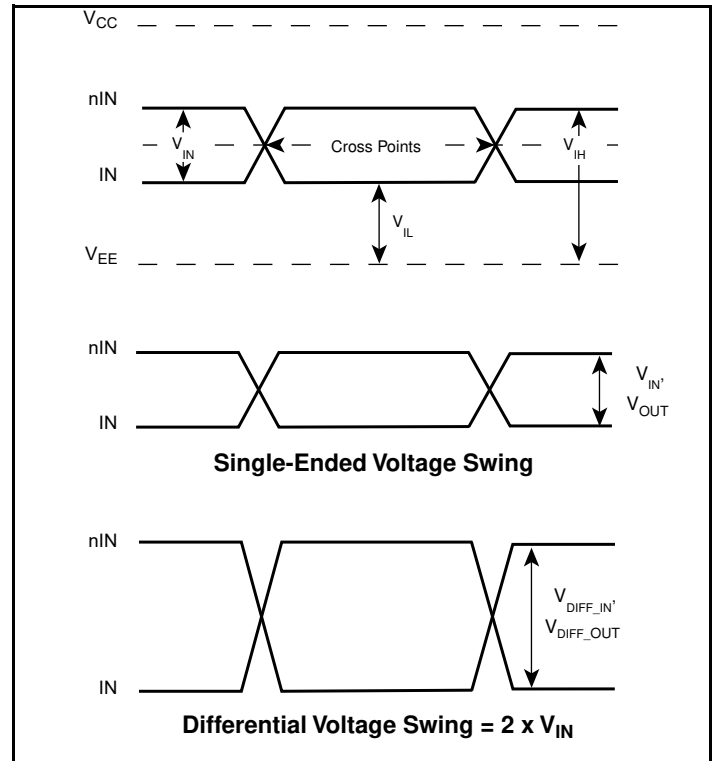
Output Load AC Test Circuit



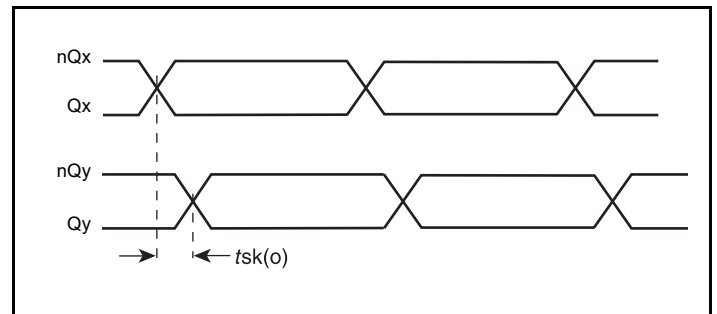
Part-to-Part Skew



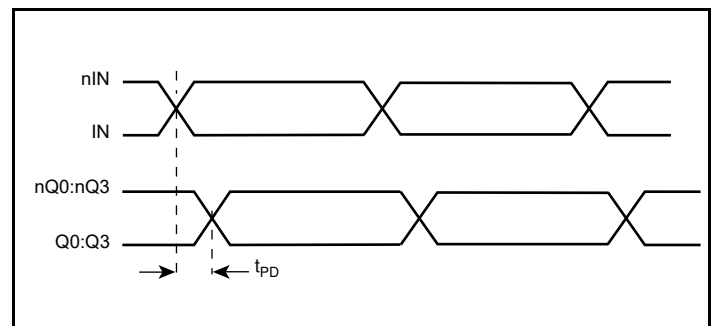
Single-ended & Differential Input Voltage Swing



Differential Input Level

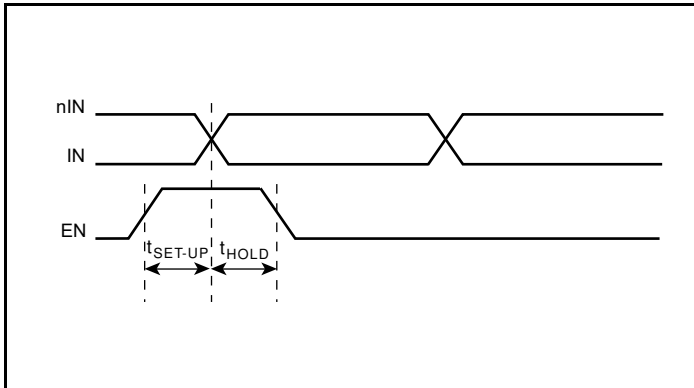


Output Skew

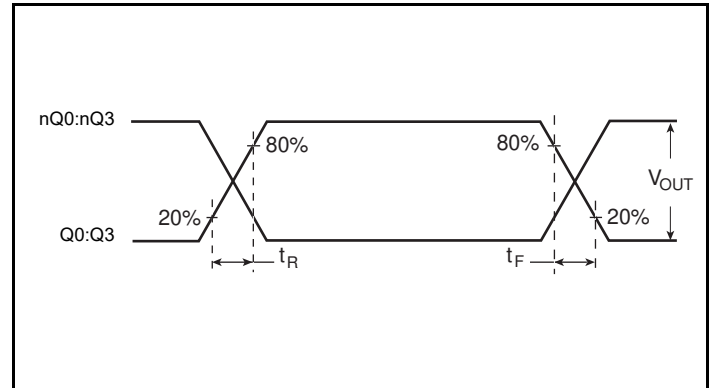


Propagation Delay

Parameter Measurement Information, continued



Setup & Hold Time



Output Rise/Fall Time

Application Information

Recommendations for Unused Output Pins

Outputs

LVPECL Outputs

All unused LVPECL outputs can be left floating. We recommend that there is no trace attached. Both sides of the differential output pair should either be left floating or terminated.

3.3V Differential Input with Built-In 50Ω Termination Interface

The IN/nIN with built-in 50Ω terminations accept LVDS, LVPECL, LVHSTL, CML, SSTL and other differential signals. Both signals must meet the V_{IN} and V_{IH} input requirements. *Figures 2A to 2D* show interface examples for the IN/nIN input with built-in 50Ω terminations driven by the most common driver types. The input interfaces

suggested here are examples only. If the driver is from another vendor, use their termination recommendation. Please consult with the vendor of the driver component to confirm the driver termination requirements.

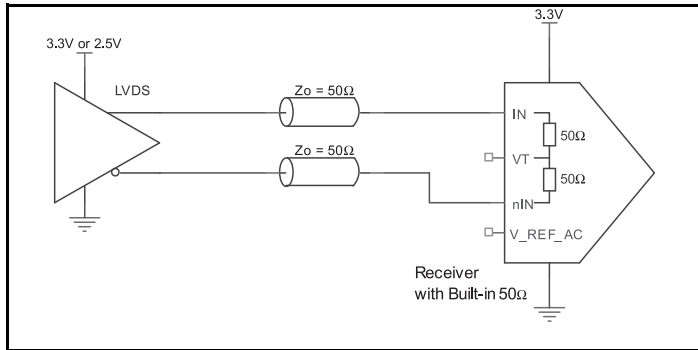


Figure 2A. IN/nIN Input with Built-In 50Ω Driven by an LVDS Driver

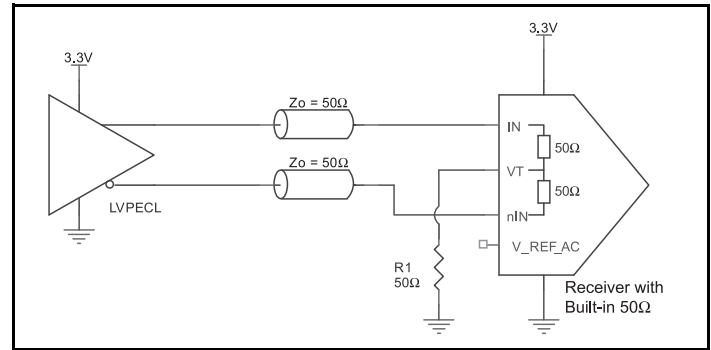


Figure 2B. IN/nIN Input with Built-In 50Ω Driven by an LVPECL Driver

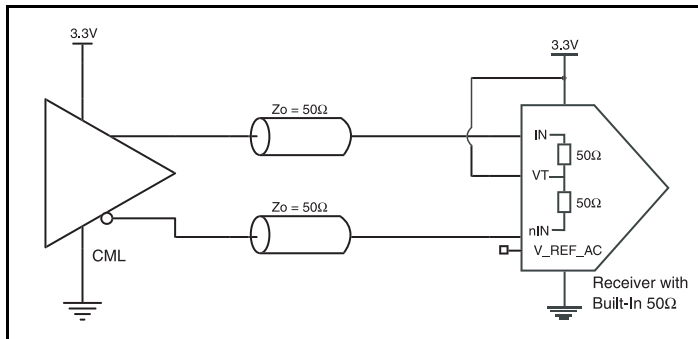


Figure 2C. IN/nIN Input with Built-In 50Ω Driven by a CML Driver with Open Collector

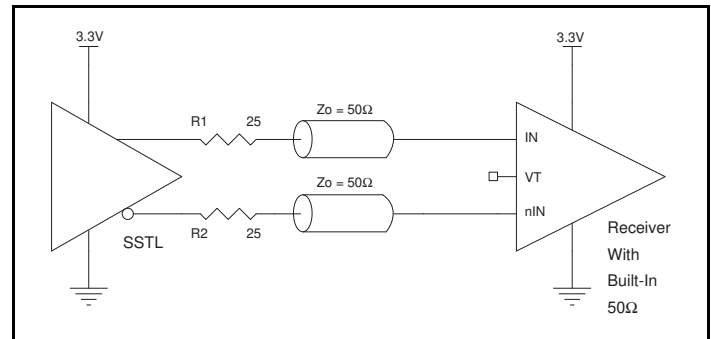


Figure 2D. IN/nIN Input with Built-In 50Ω Driven by an SSTL Driver

2.5V LVPECL Input with Built-In 50Ω Termination Interface

The IN/nIN with built-in 50Ω terminations accept LVDS, LVPECL, CML, SSTL and other differential signals. Both signals must meet the V_{IN} and V_{IH} input requirements. Figures 3A to 3D show interface examples for the IN/nIN with built-in 50Ω termination input driven by

the most common driver types. The input interfaces suggested here are examples only. If the driver is from another vendor, use their termination recommendation. Please consult with the vendor of the driver component to confirm the driver termination requirements.

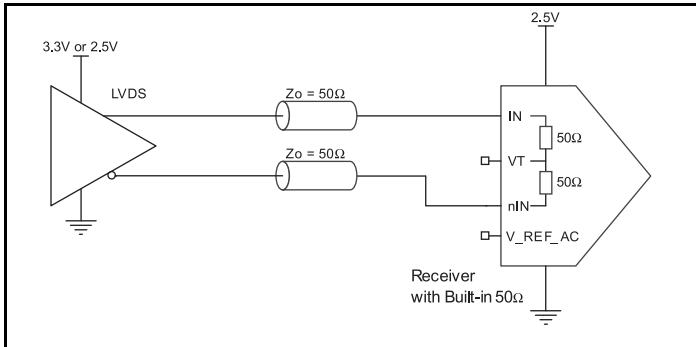


Figure 3A. IN/nIN Input with Built-In 50Ω Driven by an LVDS Driver

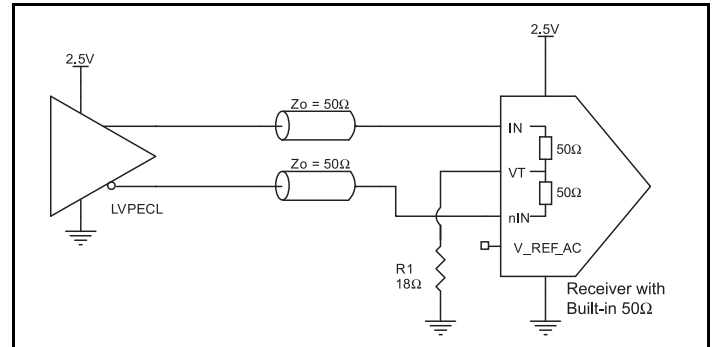


Figure 3B. IN/nIN Input with Built-In 50Ω Driven by an LVPECL Driver

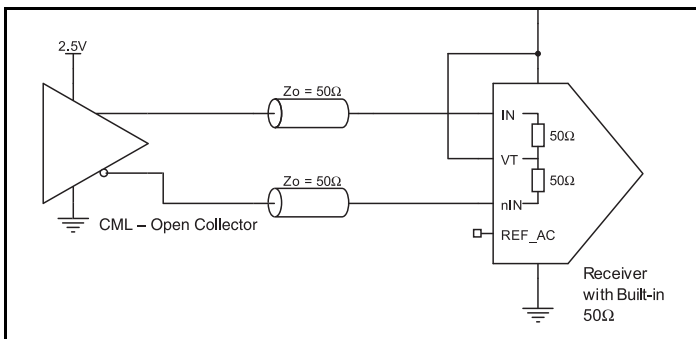


Figure 3C. IN/nIN Input with Built-In 50Ω Driven by a CML Driver with Open Collector

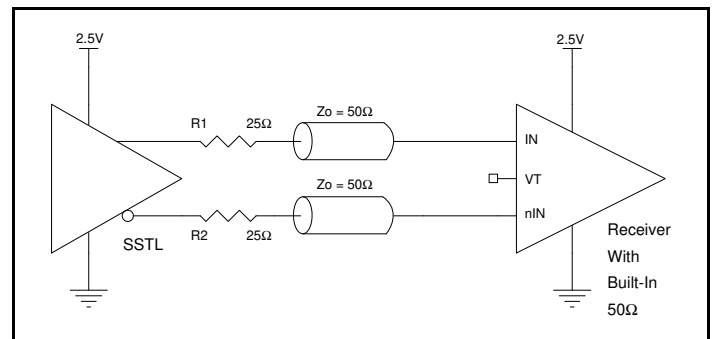


Figure 3D. IN/nIN Input with Built-In 50Ω Driven by an SSTL Driver

Termination for 3.3V LVPECL Outputs

The clock layout topology shown below is a typical termination for LVPECL outputs. The two different layouts mentioned are recommended only as guidelines.

The differential outputs are low impedance follower outputs that generate ECL/LVPECL compatible outputs. Therefore, terminating resistors (DC current path to ground) or current sources must be used for functionality. These outputs are designed to drive 50Ω

transmission lines. Matched impedance techniques should be used to maximize operating frequency and minimize signal distortion.

Figures 4A and 4B show two different layouts which are recommended only as guidelines. Other suitable clock layouts may exist and it would be recommended that the board designers simulate to guarantee compatibility across all printed circuit and clock component process variations.

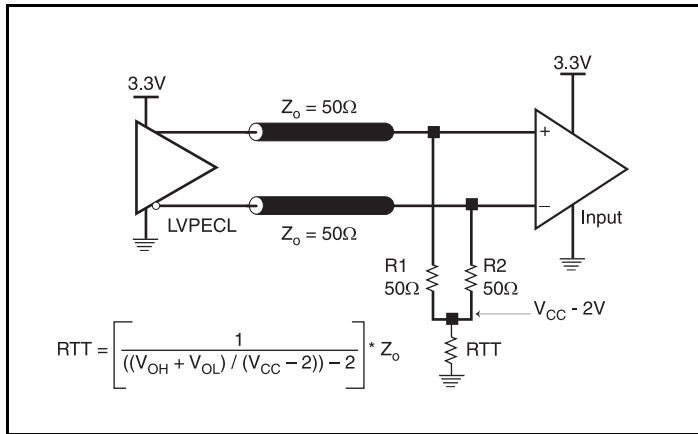


Figure 4A. 3.3V LVPECL Output Termination

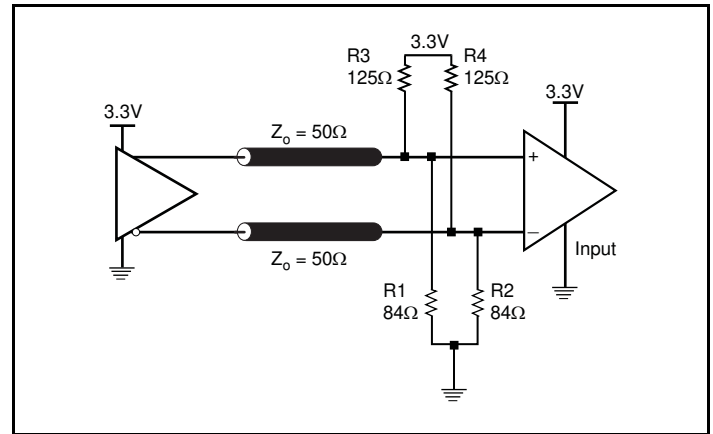


Figure 4B. 3.3V LVPECL Output Termination

Termination for 2.5V LVPECL Outputs

Figure 5A and Figure 5B show examples of termination for 2.5V LVPECL driver. These terminations are equivalent to terminating 50Ω to $V_{CC} - 2V$. For $V_{CC} = 2.5V$, the $V_{CC} - 2V$ is very close to ground

level. The R3 in Figure 5B can be eliminated and the termination is shown in Figure 5C.

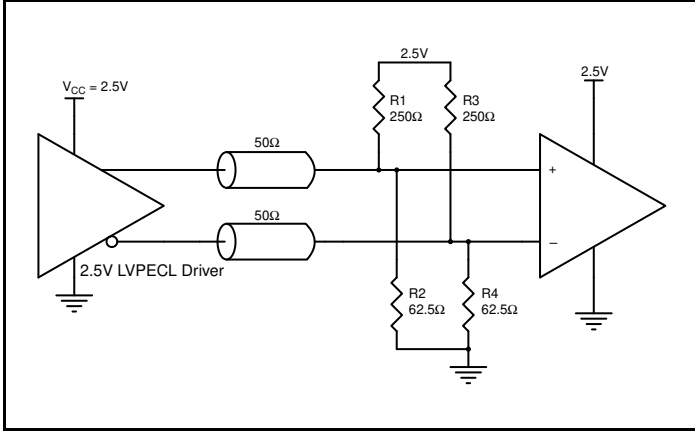


Figure 5A. 2.5V LVPECL Driver Termination Example

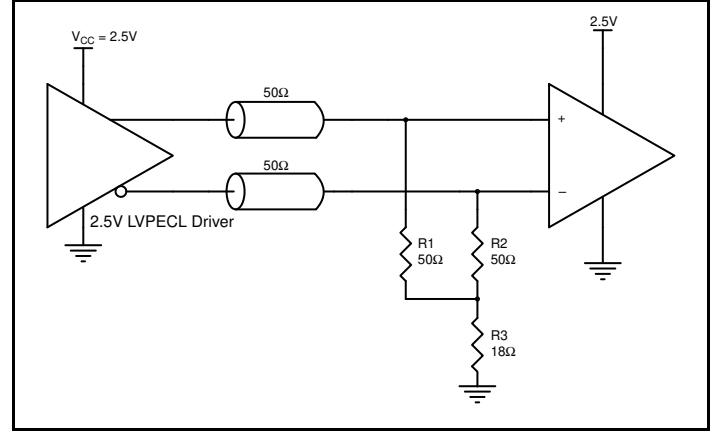


Figure 5B. 2.5V LVPECL Driver Termination Example

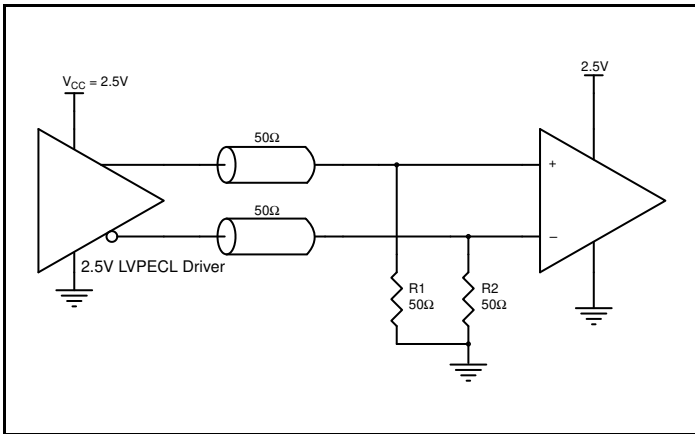


Figure 5C. 2.5V LVPECL Driver Termination Example

VFQFN EPAD Thermal Release Path

In order to maximize both the removal of heat from the package and the electrical performance, a land pattern must be incorporated on the Printed Circuit Board (PCB) within the footprint of the package corresponding to the exposed metal pad or exposed heat slug on the package, as shown in *Figure 6*. The solderable area on the PCB, as defined by the solder mask, should be at least the same size/shape as the exposed pad/slug area on the package to maximize the thermal/electrical performance. Sufficient clearance should be designed on the PCB between the outer edges of the land pattern and the inner edges of pad pattern for the leads to avoid any shorts.

While the land pattern on the PCB provides a means of heat transfer and electrical grounding from the package to the board through a solder joint, thermal vias are necessary to effectively conduct from the surface of the PCB to the ground plane(s). The land pattern must be connected to ground through these vias. The vias act as “heat pipes”. The number of vias (i.e. “heat pipes”) are application specific

and dependent upon the package power dissipation as well as electrical conductivity requirements. Thus, thermal and electrical analysis and/or testing are recommended to determine the minimum number needed. Maximum thermal and electrical performance is achieved when an array of vias is incorporated in the land pattern. It is recommended to use as many vias connected to ground as possible. It is also recommended that the via diameter should be 12 to 13mils (0.30 to 0.33mm) with 1oz copper via barrel plating. This is desirable to avoid any solder wicking inside the via during the soldering process which may result in voids in solder between the exposed pad/slug and the thermal land. Precautions should be taken to eliminate any solder voids between the exposed heat slug and the land pattern. Note: These recommendations are to be used as a guideline only. For further information, please refer to the Application Note on the Surface Mount Assembly of Amkor’s Thermally/Electrically Enhance Leadframe Base Package, Amkor Technology.

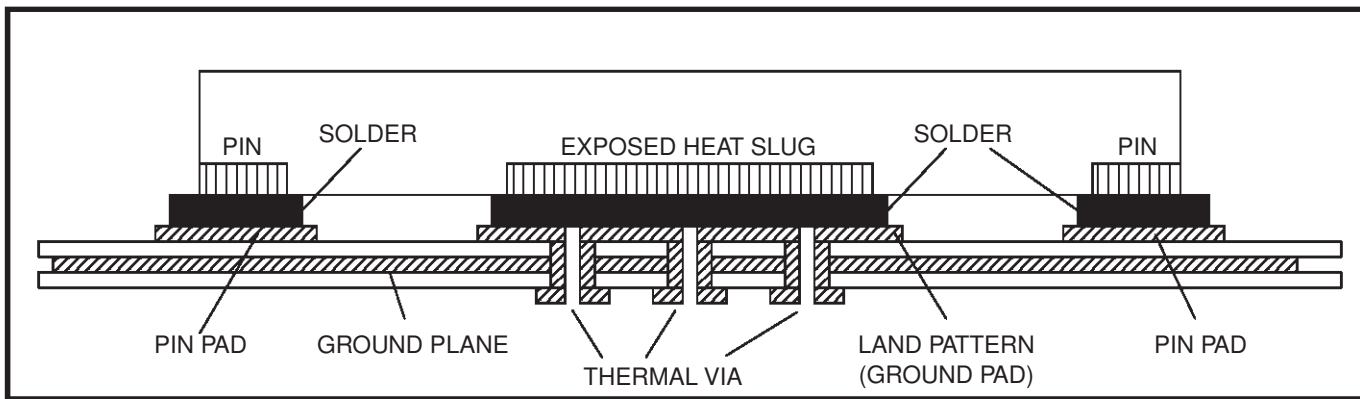


Figure 6. P.C. Assembly for Exposed Pad Thermal Release Path – Side View (drawing not to scale)

Schematic Example

Figure 7 shows a schematic example of the 8S89831I. This schematic provides examples of input and output handling. The 8S89831I input has built-in 50Ω termination resistors. The input can directly accept various types of differential signal without AC couple. For AC couple termination, the 8S89831I also provides the VREF_AC pin for proper offset level after the AC couple. This example shows the 8S89831I input driven by a 2.5V LVPECL driver

with AC couple. The 8S89831I outputs are LVPECL driver. In this example, we assume the traces are long transmission line and the receiver is high input impedance without built-in matched load. An example of 3.3V LVPECL termination is shown in this schematic. Additional termination approaches are shown in the LVPECL Termination Application Note.

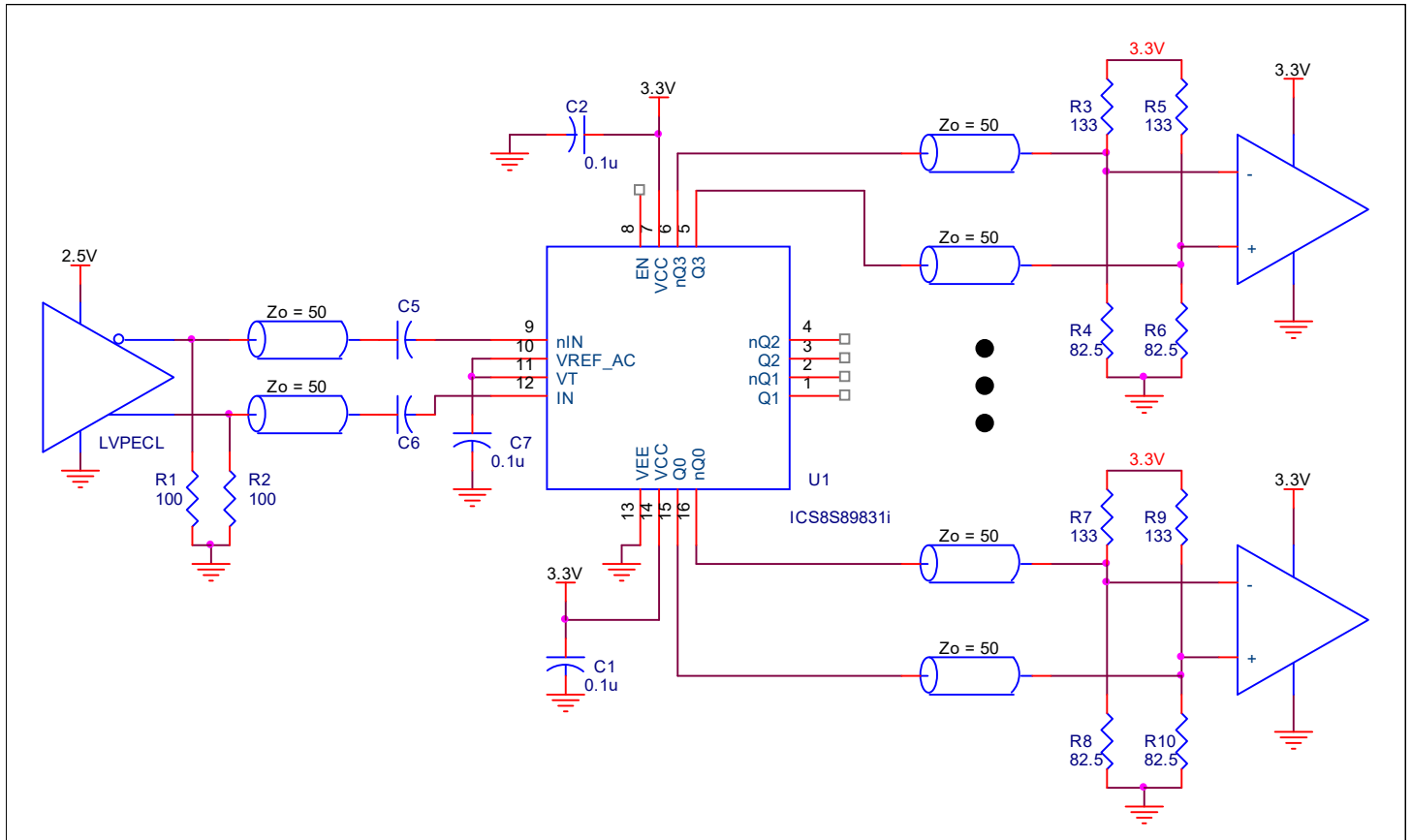


Figure 7. 8S89831I Application Schematic Example

Power Considerations

This section provides information on power dissipation and junction temperature for the 8S89831I. Equations and example calculations are also provided.

1. Power Dissipation.

The total power dissipation for the 8S89831I is the sum of the core power plus the power dissipation in the load(s). The following is the power dissipation for $V_{CC} = 3.3V + 5\% = 3.465V$, which gives worst case results.

Note: Please refer to Section 3 for details on calculating power dissipation in the load.

- Power (core)_{MAX} = $V_{CC_MAX} * I_{EE_MAX} = 3.465V * 45mA = \mathbf{155.925mW}$
- Power (outputs)_{MAX} = **32.94mW/Loaded Output pair**
If all outputs are loaded, the total power is $4 * 32.94mW = \mathbf{131.76mW}$
- Power Dissipation for internal termination R_T
Power $(R_T)_{MAX} = (V_{IN_MAX})^2 / R_{T_MIN} = (1.2V)^2 / 80\Omega = \mathbf{18mW}$

Total Power_{MAX} (3.3V, with all outputs switching) = $155.925mW + 131.76mW + 18mW = \mathbf{305.685mW}$

2. Junction Temperature.

Junction temperature, T_j , is the temperature at the junction of the bond wire and bond pad, and directly affects the reliability of the device. The maximum recommended junction temperature is 125°C. Limiting the internal transistor junction temperature, T_j , to 125°C ensures that the bond wire and bond pad temperature remains below 125°C.

The equation for T_j is as follows: $T_j = \theta_{JA} * Pd_{total} + T_A$

T_j = Junction Temperature

θ_{JA} = Junction-to-Ambient Thermal Resistance

Pd_{total} = Total Device Power Dissipation (example calculation is in section 1 above)

T_A = Ambient Temperature

In order to calculate junction temperature, the appropriate junction-to-ambient thermal resistance θ_{JA} must be used. Assuming no air flow and a multi-layer board, the appropriate value is 74.7°C/W per Table 6 below.

Therefore, T_j for an ambient temperature of 85°C with all outputs switching is:

$$85^\circ\text{C} + 0.306\text{W} * 74.7^\circ\text{C/W} = 107.9^\circ\text{C}. \text{ This is well below the limit of } 125^\circ\text{C}.$$

This calculation is only an example. T_j will obviously vary depending on the number of loaded outputs, supply voltage, air flow and the type of board (multi-layer).

Table 6. Thermal Resistance θ_{JA} for 16 Lead VFQFN, Forced Convection

Thermal Parameters by Velocity			
Meters per Second	0	1	2.5
θ_{JA}	74.7°C/W	65.3°C/W	58.5°C/W
θ_{JB}	5.7°C/W	-	-
θ_{JC}	59.7°C/W	-	-

3. Calculations and Equations.

The purpose of this section is to calculate the power dissipation for the LVPECL output pairs.

The LVPECL output driver circuit and termination are shown in *Figure 8*.

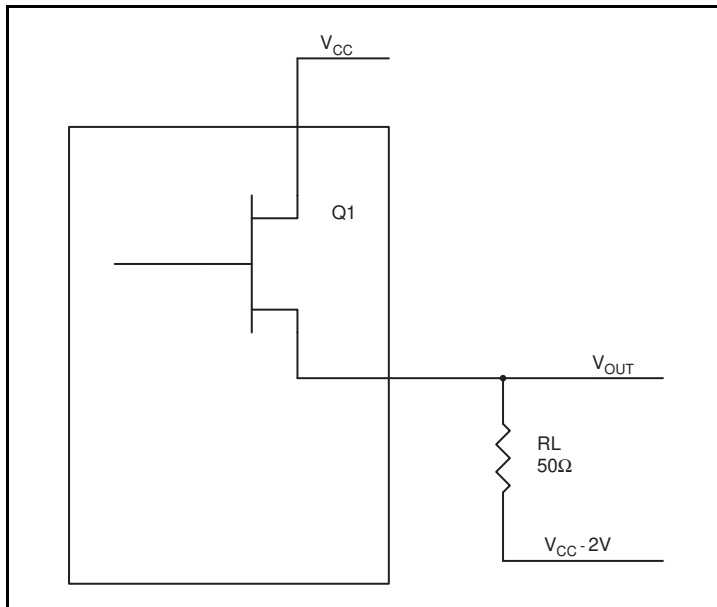


Figure 8. LVPECL Driver Circuit and Termination

To calculate worst case power dissipation into the load, use the following equations which assume a 50Ω load, and a termination voltage of $V_{CC} - 2V$.

- For logic high, $V_{OUT} = V_{OH_MAX} = V_{CC_MAX} - 0.85V$
 $(V_{CC_MAX} - V_{OH_MAX}) = 0.85V$
- For logic low, $V_{OUT} = V_{OL_MAX} = V_{CC_MAX} - 1.575V$
 $(V_{CC_MAX} - V_{OL_MAX}) = 1.575V$

Pd_H is power dissipation when the output drives high.

Pd_L is the power dissipation when the output drives low.

$$Pd_H = [(V_{OH_MAX} - (V_{CC_MAX} - 2V))/R_L] * (V_{CC_MAX} - V_{OH_MAX}) = [(2V - (V_{CC_MAX} - V_{OH_MAX}))/R_L] * (V_{CC_MAX} - V_{OH_MAX}) = [(2V - 0.85V)/50\Omega] * 0.85V = \mathbf{19.55mW}$$

$$Pd_L = [(V_{OL_MAX} - (V_{CC_MAX} - 2V))/R_L] * (V_{CC_MAX} - V_{OL_MAX}) = [(2V - (V_{CC_MAX} - V_{OL_MAX}))/R_L] * (V_{CC_MAX} - V_{OL_MAX}) = [(2V - 1.575V)/50\Omega] * 1.575V = \mathbf{13.39mW}$$

$$\text{Total Power Dissipation per output pair} = Pd_H + Pd_L = \mathbf{32.94mW}$$

Transistor Count

The transistor count for 8S89831I is: 328

This device is pin and function compatible and a suggested replacement for 889831.

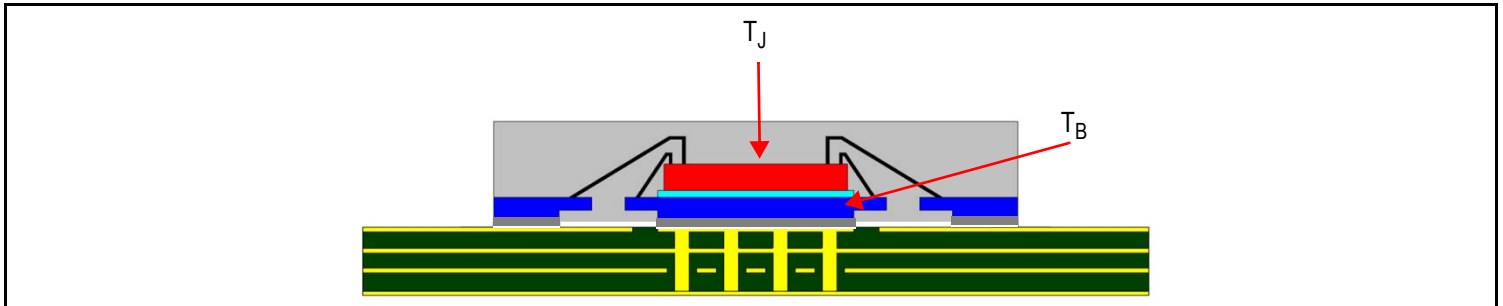
Case Temperature Considerations

This device supports applications in a natural convection environment that does not have any thermal conductivity through ambient air. The printed circuit board (PCB) is typically in a sealed enclosure without any natural or forced air flow and is kept at or below a specific temperature. The device package design incorporates an exposed pad (ePad) with enhanced thermal parameters, which is soldered to the PCB where most of the heat escapes from the bottom exposed pad. For this type of application, IDT recommends using the junction-to-board thermal characterization parameter Ψ_{JB} (Psi-JB) to calculate the junction temperature (T_J) and ensure it does not exceed the maximum allowed operating junction temperature in the [Absolute Maximum Ratings](#).

The junction-to-board thermal characterization parameter, Ψ_{JB} , is calculated using the following equation:

$T_J = T_B + \Psi_{JB} \times P_D$, where:

- T_J = Junction temperature at steady state condition in ($^{\circ}\text{C}$)
- T_B = Board or case temperature (Bottom) at steady state condition in ($^{\circ}\text{C}$)
- Ψ_{JB} = Thermal characterization parameter to report the difference between junction temperature and the temperature of the board measured at the top surface of the board
- P_D = Power dissipation (W) in desired operating configuration



The ePad provides a low thermal resistance path for heat transfer to the PCB and represents the key pathway to transfer heat away from the IC to the PCB. It is critical that the connection of the exposed pad to the PCB is properly constructed to maintain the desired IC bottom case temperature (T_{CB}). A good connection ensures that temperature at the exposed pad (T_{CB}) and the board temperature (T_B) are relatively the same. An improper connection can lead to increased junction temperature, increased power consumption, and decreased electrical performance. In addition, there could be long-term reliability issues and increased failure rate.

Example Calculation for Junction Temperature (T_J): $T_J = T_B + \Psi_{JB} \times P_D$

Package type	16L-QFN
Body size (mm)	3.0 × 3.0 × 1.0 mm
ePad size (mm)	1.7 × 1.7 mm
Thermal Via	2 × 2 Matrix
Ψ_{JB}	5.7 $^{\circ}\text{C}/\text{W}$
T_B	105 $^{\circ}\text{C}$
P_D	0.305W

For the variables above, the junction temperature is equal to 106.2 $^{\circ}\text{C}$. Since this operating junction temperature is below the maximum operating junction temperature of 125 $^{\circ}\text{C}$, there are no long term reliability concerns. In addition, since the junction temperature at which the device was characterized using forced convection is 107.9 $^{\circ}\text{C}$, this device can function without the degradation of the specified AC or DC parameters.

Package Outline Drawings

The package outline drawings are located at the end of this document. The package information is the most current data available and is subject to change without notice or revision of this document.

Ordering Information

Table 9. Ordering Information

Part/Order Number	Marking	Package	Shipping Packaging	Temperature
8S89831AKILF	831A	"Lead-Free" 16 Lead VFQFN	Tube	-40°C to 85°C
8S89831AKILFT	831A	"Lead-Free" 16 Lead VFQFN	Tape & Reel	-40°C to 85°C

Revision History

Revision Date	Description of Change
November 9, 2017	Replaced operating temperature with junction temperature in Absolute Maximum Ratings ; also removed the package thermal information Changed the T _A and T _B temperature ranges to indicate "or" in all electrical table titles
October 3, 2017	Added a new bullet to Features about board temperature Added "TB = -40°C to 105°C" to Tables 4A, 4B, 4C, 4D, and 5 Added Case Temperature Considerations
September 22, 2017	Updated the package outline drawings; however, no mechanical changes Completed other minor improvements
June 22, 2017	Updated the thermal characteristics in Table 6 Updated the package drawings - no technical changes
January 27, 2016	Removed ICS from part numbers where needed. General Description - Deleted ICS chip. Ordering Information - Deleted quantity in tape in reel. Deleted LF note below table. Updated header and footer.
April 22, 2010	Deleted <i>Differential Input with Built-in 50Ω Termination Unused Input Handling</i> application section. This section does not apply when there is only one input. Power Considerations - in Power Dissipation section, corrected Power (RT) calculation. Calculation = 18mW from 98mW. Total Power and Junction Temperature calculations have also been updated.



Corporate Headquarters
6024 Silver Creek Valley Road
San Jose, CA 95138 USA
www.IDT.com

Sales
1-800-345-7015 or 408-284-8200
Fax: 408-284-2775
www.IDT.com/go/sales

Tech Support
www.idt.com/go/support

DISCLAIMER Integrated Device Technology, Inc. (IDT) and its affiliated companies (herein referred to as "IDT") reserve the right to modify the products and/or specifications described herein at any time, without notice, at IDT's sole discretion. Performance specifications and operating parameters of the described products are determined in an independent state and are not guaranteed to perform the same way when installed in customer products. The information contained herein is provided without representation or warranty of any kind, whether express or implied, including, but not limited to, the suitability of IDT's products for any particular purpose, an implied warranty of merchantability, or non-infringement of the intellectual property rights of others. This document is presented only as a guide and does not convey any license under intellectual property rights of IDT or any third parties.

IDT's products are not intended for use in applications involving extreme environmental conditions or in life support systems or similar devices where the failure or malfunction of an IDT product can be reasonably expected to significantly affect the health or safety of users. Anyone using an IDT product in such a manner does so at their own risk, absent an express, written agreement by IDT.

Integrated Device Technology, IDT and the IDT logo are trademarks or registered trademarks of IDT and its subsidiaries in the United States and other countries. Other trademarks used herein are the property of IDT or their respective third party owners. For datasheet type definitions and a glossary of common terms, visit www.idt.com/go/glossary. Integrated Device Technology, Inc.. All rights reserved.