



Chipsmall Limited consists of a professional team with an average of over 10 year of expertise in the distribution of electronic components. Based in Hongkong, we have already established firm and mutual-benefit business relationships with customers from,Europe,America and south Asia,supplying obsolete and hard-to-find components to meet their specific needs.

With the principle of “Quality Parts,Customers Priority,Honest Operation,and Considerate Service”,our business mainly focus on the distribution of electronic components. Line cards we deal with include Microchip,ALPS,ROHM,Xilinx,Pulse,ON,Everlight and Freescale. Main products comprise IC,Modules,Potentiometer,IC Socket,Relay,Connector.Our parts cover such applications as commercial,industrial, and automotives areas.

We are looking forward to setting up business relationship with you and hope to provide you with the best service and solution. Let us make a better world for our industry!



## Contact us

Tel: +86-755-8981 8866 Fax: +86-755-8427 6832

Email & Skype: info@chipsmall.com Web: www.chipsmall.com

Address: A1208, Overseas Decoration Building, #122 Zhenhua RD., Futian, Shenzhen, China



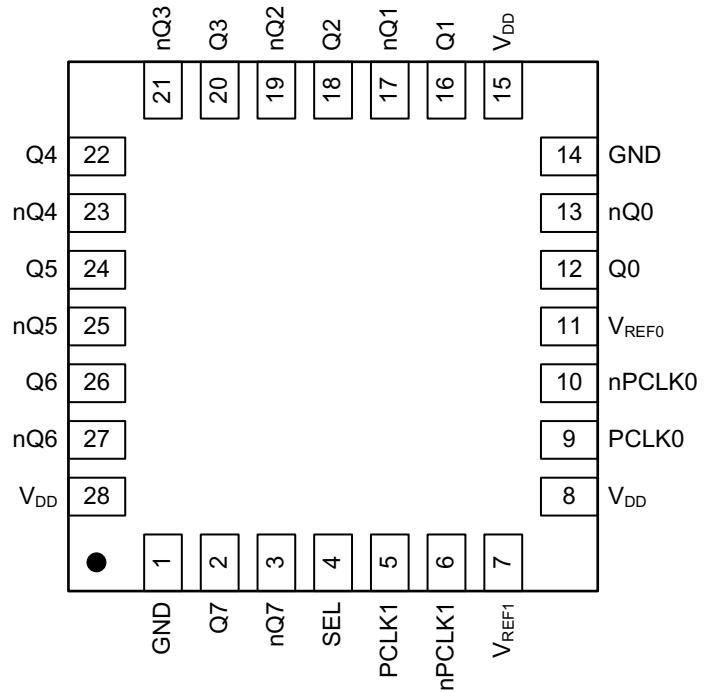
### General Description

The IDT8SLVD1208I is a high-performance differential LVDS fanout buffer. The device is designed for the fanout of high-frequency, very low additive phase-noise clock and data signals. The IDT8SLVD1208I is characterized to operate from a 2.5V power supply. Guaranteed output-to-output and part-to-part skew characteristics make the IDT8SLVD1208I ideal for those clock distribution applications demanding well-defined performance and repeatability. Two selectable differential inputs and eight low skew outputs are available. The integrated bias voltage reference enables easy interfacing of single-ended signals to the device inputs. The device is optimized for low power consumption and low additive phase noise.

### Features

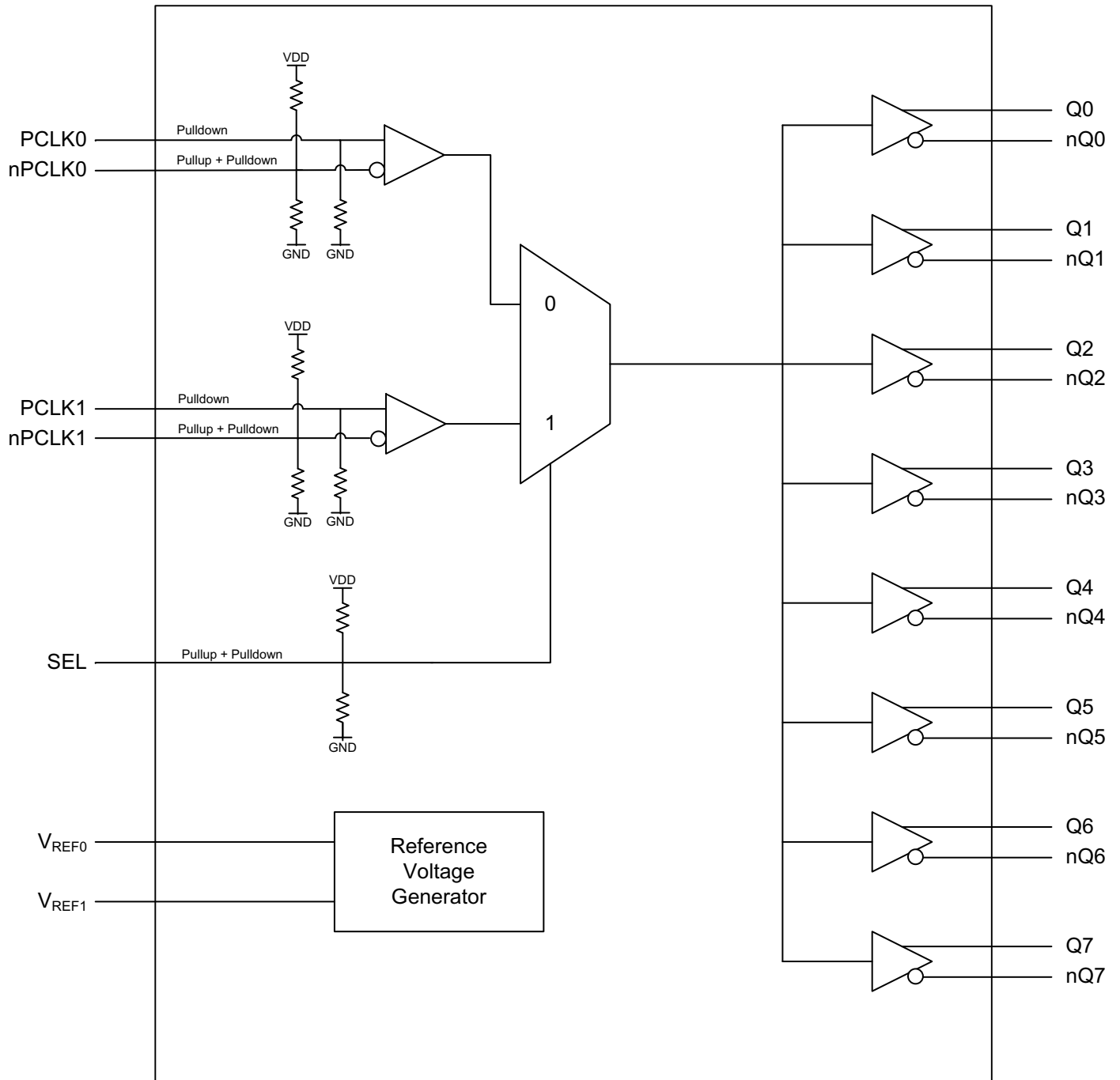
- Eight low skew, low additive jitter LVDS output pairs
- Two selectable, differential clock input pairs
- Differential PCLK, nPCLK pairs can accept the following differential input levels: LVDS, LVPECL
- Maximum input clock frequency: 2GHz (maximum)
- LVC MOS/LVTTL interface levels for the control input (input select)
- Output skew: 8ps (typical)
- Propagation delay: 255ps (typical)
- Low additive phase jitter, RMS;  $f_{REF} = 156.25\text{MHz}$ ,  $V_{PP} = 1\text{V}$ , 10kHz - 20MHz: 65fs (typical)
- Maximum device current consumption ( $I_{DD}$ ): 170mA
- 2.5V supply voltage
- Lead-free (RoHS 6), 28-Lead VFQFN packaging
- -40°C to 85°C ambient operating temperature

### Pin Assignment



**IDT8SLVD1208I**  
**28 lead VFQFN**  
**5.0mm x 5.0mm x 0.925mm package body**  
**Pad size 3.25mm x 3.25 mm**  
**NB Package**  
**Top View**

### Block Diagram



## Pin Descriptions and Characteristics

**Table 1. Pin Descriptions**

| Number    | Name       | Type   |                     | Description  |
|-----------|------------|--------|---------------------|--|
| 1, 14     | GND        | Power  |                     | Ground supply pin.   |
| 4         | SEL        | Input  | Pullup/<br>Pulldown | Reference select control pin. See Table 3 for function. LVCMOS/LVTTL interface levels. |
| 5         | PCLK1      | Input  | Pulldown            | Non-inverting differential clock/data input.   |
| 6         | nPCLK1     | Input  | Pullup/<br>Pulldown | Inverting differential clock/data input. $V_{DD}/2$ default when left floating.        |
| 8, 15, 28 | $V_{DD}$   | Power  |                     | Power supply pin.  |
| 9         | PCLK0      | Input  | Pulldown            | Non-inverting differential clock/data input.   |
| 10        | nPCLK0     | Input  | Pullup/<br>Pulldown | Inverting differential clock/data input. $V_{DD}/2$ default when left floating.        |
| 11        | $V_{REF0}$ | Output |                     | Bias voltage reference for the PCLK0, nPCLK0 inputs.                                   |
| 7         | $V_{REF1}$ | Output |                     | Bias voltage reference for the PCLK1, nPCLK1 inputs.                                   |
| 12, 13    | Q0, nQ0    | Output |                     | Differential output pair 0. LVDS interface levels.                                     |
| 16, 17    | Q1, nQ1    | Output |                     | Differential output pair 1. LVDS interface levels.                                     |
| 18, 19    | Q2, nQ2    | Output |                     | Differential output pair 2. LVDS interface levels.                                     |
| 20, 21    | Q3, nQ3    | Output |                     | Differential output pair 3. LVDS interface levels.                                     |
| 22, 23    | Q4, nQ4    | Output |                     | Differential output pair 4. LVDS interface levels.                                     |
| 24, 25    | Q5, nQ5    | Output |                     | Differential output pair 5. LVDS interface levels.                                     |
| 26, 27    | Q6, nQ6    | Output |                     | Differential output pair 6. LVDS interface levels.                                     |
| 2, 3      | Q7, nQ7    | Output |                     | Differential output pair 7. LVDS interface levels.                                     |

NOTE: *Pulldown* and *Pullup* refers to an internal input resistors. See Table 2, *Pin Characteristics*, for typical values.

**Table 2. Pin Characteristics**

| Symbol         | Parameter               | Test Conditions | Minimum | Typical | Maximum | Units     |
|----------------|-------------------------|-----------------|---------|---------|---------|-----------|
| $C_{IN}$       | Input Capacitance       |                 |         | 2       |         | pF        |
| $R_{PULLDOWN}$ | Input Pulldown Resistor |                 |         | 51      |         | $k\Omega$ |
| $R_{PULLUP}$   | Input Pullup Resistor   |                 |         | 51      |         | $k\Omega$ |

## Function Table

**Table 3. SEL Input Selection Function Table**

| Input | Operation   |
|-------|---|
| 0     | PCLK0, nPCLK0 is the selected differential clock input. |
| 1     | PCLK1, nPCLK1 is the selected differential clock input. |
| Open  | Input buffers are disabled and outputs are static.      |

NOTE: SEL is an asynchronous control.



## Absolute Maximum Ratings

NOTE: Stresses beyond those listed under *Absolute Maximum Ratings* may cause permanent damage to the device. These ratings are stress specifications only. Functional operation of product at these conditions or any conditions beyond those listed in the *DC Characteristics* or *AC Characteristics* is not implied. Exposure to absolute maximum rating conditions for extended periods may affect product reliability.

| Item  | Rating                   |
|---|--------------------------|
| Supply Voltage, $V_{DD}$                              | 4.6V                     |
| Inputs, $V_I$   | -0.5V to $V_{DD} + 0.5V$ |
| Outputs, $I_O$<br>Continuous Current<br>Surge Current | 10mA<br>15mA             |
| Input Sink/Source, $I_{REF}$                          | $\pm 2mA$                |
| Maximum Junction Temperature, $T_{J,MAX}$             | 125°C                    |
| Storage Temperature, $T_{STG}$                        | -65°C to 150°C           |
| ESD - Human Body Model, NOTE 1                        | 2000V                    |
| ESD - Charged Device Model, NOTE 1                    | 500V                     |

NOTE 1: According to JEDEC/JS-001-2012/ 22-C101E.

## DC Electrical Characteristics

**Table 4A. Power Supply DC Characteristics,  $V_{DD} = 2.5V \pm 5\%$ ,  $T_A = -40^\circ C$  to  $85^\circ C$**

| Symbol   | Parameter            | Test Conditions                                     | Minimum | Typical | Maximum | Units |
|----------|----------------------|---|---------|---------|---------|-------|
| $V_{DD}$ | Power Supply Voltage |   | 2.375   | 2.5V    | 2.625   | V     |
| $I_{DD}$ | Power Supply Current | Q0 to Q7 terminated 100 $\Omega$<br>between nQx, Qx |         | 150     | 170     | mA    |

**Table 4B. LVCMOS/LVTTL DC Characteristics,  $V_{DD} = 2.5V \pm 5\%$ ,  $T_A = -40^\circ C$  to  $85^\circ C$**

| Symbol    | Parameter                | Test Conditions                       | Minimum        | Typical      | Maximum        | Units   |
|-----------|--------------------------|---------------------------------------|----------------|--------------|----------------|---------|
| $V_{MID}$ | Input voltage - open pin | Open                                  |                | $V_{DD} / 2$ |                | V       |
| $V_{IH}$  | Input High Voltage       |                                       | $0.7 * V_{DD}$ |              | $V_{DD} + 0.3$ | V       |
| $V_{IL}$  | Input Low Voltage        |                                       | -0.3           |              | $0.2 * V_{DD}$ | V       |
| $I_{IH}$  | Input High Current       | SEL<br>$V_{DD} = V_{IN} = 2.625V$     |                |              | 150            | $\mu A$ |
| $I_{IL}$  | Input Low Current        | SEL<br>$V_{DD} = 2.625V, V_{IN} = 0V$ | -150           |              |                | $\mu A$ |

**Table 4C. Differential Inputs Characteristics,  $V_{DD} = 2.5V \pm 5\%$ ,  $T_A = -40^\circ\text{C}$  to  $85^\circ\text{C}$** 

| Symbol                    | Parameter                               | Test Conditions  | Minimum        | Typical         | Maximum         | Units         |
|---------------------------|---|--|----------------|-----------------|-----------------|---------------|
| $I_{IH}$                  | Input High Current                      | PCLK0,<br>nPCLK0<br>PCLK1,<br>nPCLK1<br>$V_{IN} = V_{DD} = 2.625V$ |                |                 | 150             | $\mu\text{A}$ |
| $I_{IL}$                  | Input Low Current                       | PCLK0,<br>PCLK1<br>$V_{IN} = 0V, V_{DD} = 2.625V$                  | -10            |                 |                 | $\mu\text{A}$ |
|                           |   | nPCLK0,<br>nPCLK1<br>$V_{IN} = 0V, V_{DD} = 2.625V$                | -150           |                 |                 | $\mu\text{A}$ |
| $V_{REF0},$<br>$V_{REF1}$ | Reference Voltage for Input Bias        | $I_{REFx} = \pm 1\text{mA}$  | $V_{DD} - 1.5$ | $V_{DD} - 1.25$ | $V_{DD} - 1.15$ | V             |
| $V_{PP}$                  | Peak-to-Peak Voltage; NOTE 1            | $f_{REF} < 1.5\text{GHz}$  | 0.1            |                 | 1.5             | V             |
|                           |   | $f_{REF} > 1.5\text{GHz}$  | 0.2            |                 | 1.5             | V             |
| $V_{CMR}$                 | Common Mode Input Voltage;<br>NOTE 1, 2 |  | 1.0            |                 | $V_{DD} - 0.6$  | V             |

NOTE 1:  $V_{IL}$  should not be less than  $-0.3V$ .

NOTE 2: Common mode input voltage is defined at the crosspoint.

**Table 4D. LVDS DC Characteristics,  $V_{DD} = 2.5V \pm 5\%$ ,  $T_A = -40^\circ\text{C}$  to  $85^\circ\text{C}$** 

| Symbol          | Parameter                   | Test Conditions                 | Minimum | Typical | Maximum | Units |
|-----------------|-----------------------------|---------------------------------|---------|---------|---------|-------|
| $V_{OD}$        | Differential Output Voltage | outputs loaded with $100\Omega$ | 247     |         | 454     | mV    |
| $\Delta V_{OD}$ | $V_{OD}$ Magnitude Change   |                                 |         |         | 50      | mV    |
| $V_{OS}$        | Offset Voltage              |                                 | 1.125   |         | 1.55    | V     |
| $\Delta V_{OS}$ | $V_{OS}$ Magnitude Change   |                                 |         |         | 50      | mV    |

## AC Electrical Characteristics

**Table 5. AC Electrical Characteristics,  $V_{DD} = 2.5V \pm 5\%$ ,  $T_A = -40^\circ C$  to  $85^\circ C$**

| Symbol              | Parameter   | Test Conditions   | Minimum | Typical | Maximum | Units |
|---------------------|---|---|---------|---------|---------|-------|
| $f_{REF}$           | Input Frequency   | PCLK[0:1],<br>nPCLK[0:1]  |         |         | 2       | GHz   |
| $\Delta V/\Delta t$ | Input Edge Rate   | PCLK[0:1],<br>nPCLK[0:1]  | 1.5     |         |         | V/ns  |
| $t_{PD}$            | Propagation Delay;<br>NOTE 1  | PCKx, nPCKx to any Qx, nQx<br>for $V_{PP} = 0.1V$ or $0.3V$                                 | 150     | 255     | 380     | ps    |
| $t_{sk(o)}$         | Output Skew; NOTE 2, 3  |   |         |         | 40      | ps    |
| $t_{sk(i)}$         | Input Skew; NOTE 3  |   |         |         | 60      | ps    |
| $t_{sk(p)}$         | Pulse Skew  | $f_{REF} = 100MHz$  |         |         | 25      | ps    |
| $t_{sk(pp)}$        | Part-to-Part Skew;<br>NOTE 3, 4   |   |         |         | 230     | ps    |
| $t_{JIT}$           | Buffer Additive Phase Jitter, RMS; refer to Additive Phase Jitter Section | $f_{REF} = 122.88MHz$ Square Wave, $V_{PP} = 1V$ ,<br>Integration Range: 1kHz – 40MHz       |         | 140     | 180     | fs    |
|                     |   | $f_{REF} = 122.88MHz$ Square Wave, $V_{PP} = 1V$ ,<br>Integration Range: 10kHz – 20MHz      |         | 100     | 130     | fs    |
|                     |   | $f_{REF} = 122.88MHz$ Square Wave, $V_{PP} = 1V$ ,<br>Integration Range: 12kHz – 20MHz      |         | 100     | 130     | fs    |
|                     |   | $f_{REF} = 156.25MHz$ Square Wave, $V_{PP} = 1V$ ,<br>Integration Range: 1kHz – 40MHz       |         | 95      | 140     | fs    |
|                     |   | $f_{REF} = 156.25MHz$ Square Wave, $V_{PP} = 1V$ ,<br>Integration Range: 10kHz – 20MHz      |         | 65      | 95      | fs    |
|                     |   | $f_{REF} = 156.25MHz$ Square Wave, $V_{PP} = 1V$ ,<br>Integration Range: 12kHz – 20MHz      |         | 65      | 95      | fs    |
|                     |   | $f_{REF} = 156.25MHz$ Square Wave,<br>$V_{PP} = 0.5V$ ,<br>Integration Range: 1kHz – 40MHz  |         | 85      | 125     | fs    |
|                     |   | $f_{REF} = 156.25MHz$ Square Wave,<br>$V_{PP} = 0.5V$ ,<br>Integration Range: 10kHz – 20MHz |         | 61      | 100     | fs    |
|                     |   | $f_{REF} = 156.25MHz$ Square Wave,<br>$V_{PP} = 0.5V$ ,<br>Integration Range: 12kHz – 20MHz |         | 61      | 100     | fs    |
| $t_R / t_F$         | Output Rise/ Fall Time  | 20% to 80%<br>outputs loaded with $100 \Omega$  | 30      | 100     | 300     | ps    |
| $MUX_{ISOLATION}$   | Mux Isolation; NOTE 5   | $f_{REF} = 100MHz$  |         | -82     |         | dB    |

NOTE: Electrical parameters are guaranteed over the specified ambient operating temperature range, which is established when the device is mounted in a test socket with maintained transverse airflow greater than 500 lpm. The device will meet specifications after thermal equilibrium has been reached under these conditions.

NOTE 1: Measured from the differential input crosspoint to the differential output crosspoint.

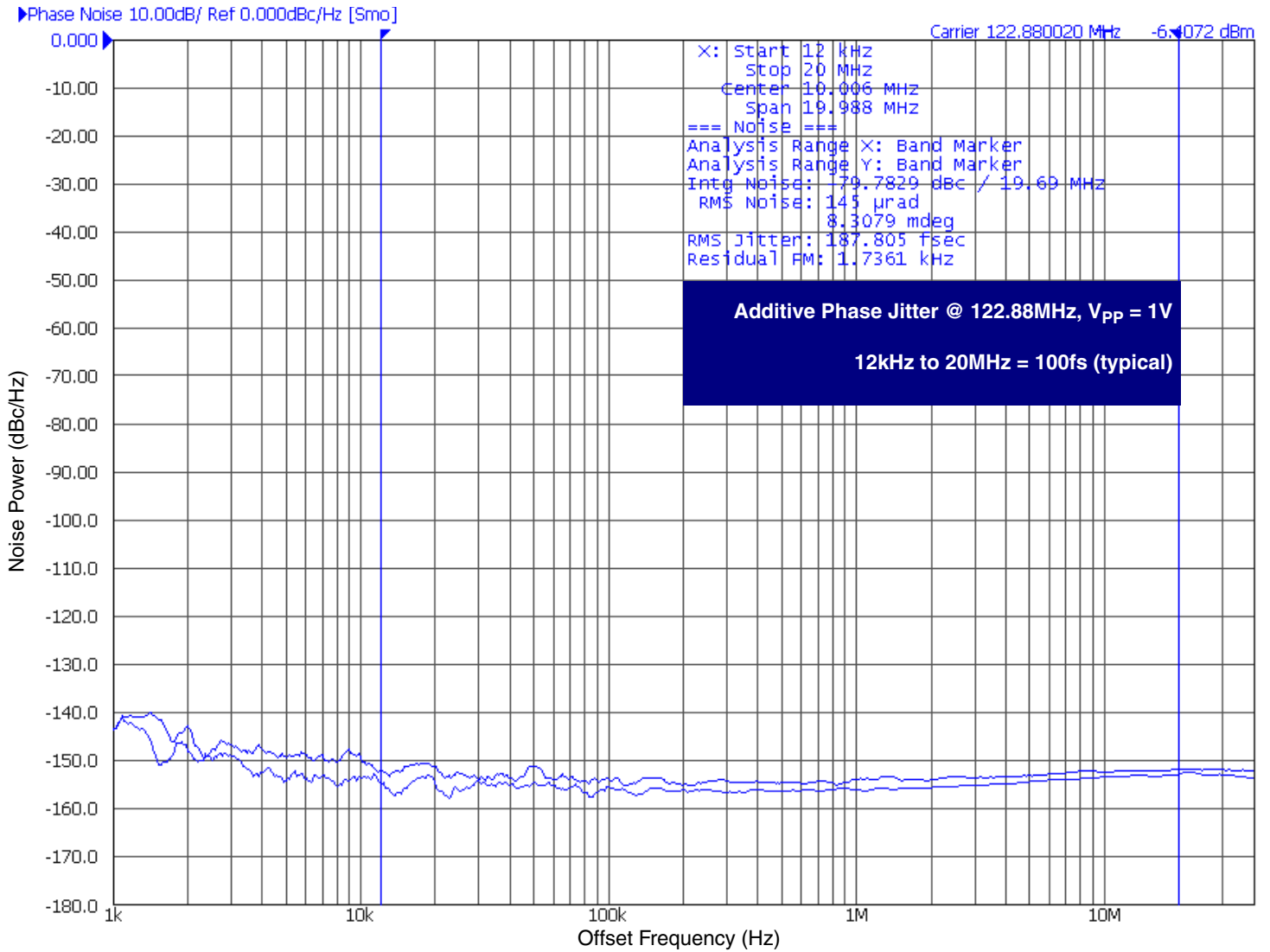
NOTE 2: Defined as skew between outputs at the same supply voltage and with equal load conditions. Measured at the differential crosspoints.

NOTE 3: This parameter is defined in accordance with JEDEC Standard 65.

NOTE 4: Defined as skew between outputs on different devices operating at the same supply voltage, same frequency, same temperature and with equal load conditions. Using the same type of inputs on each device, the outputs are measured at the differential crosspoints.

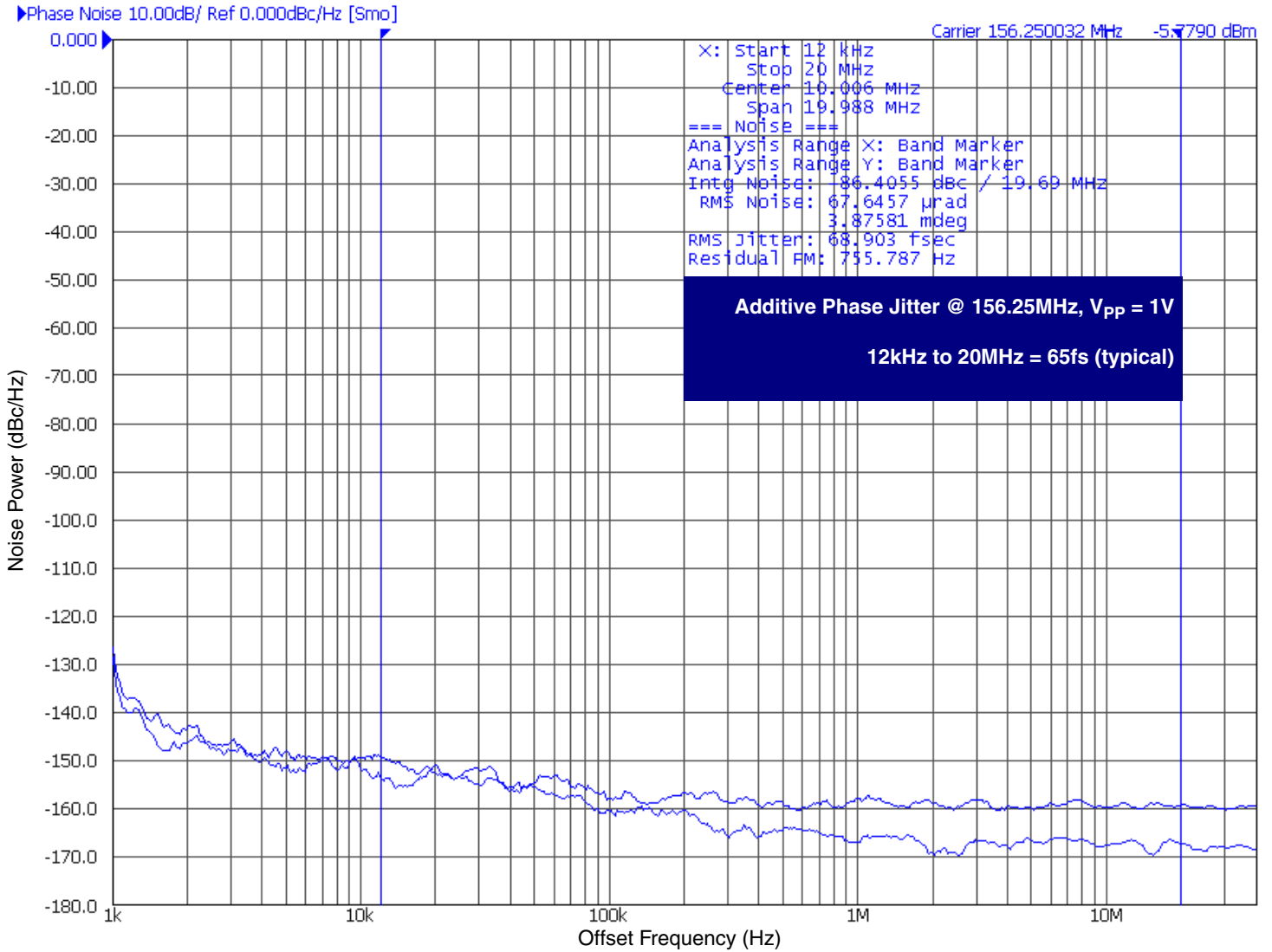
NOTE 5: Qx, nQx outputs measured differentially. See *MUX Isolation diagram* in the *Parameter Measurement Information section*.

### Typical Phase Noise at 122.88MHz

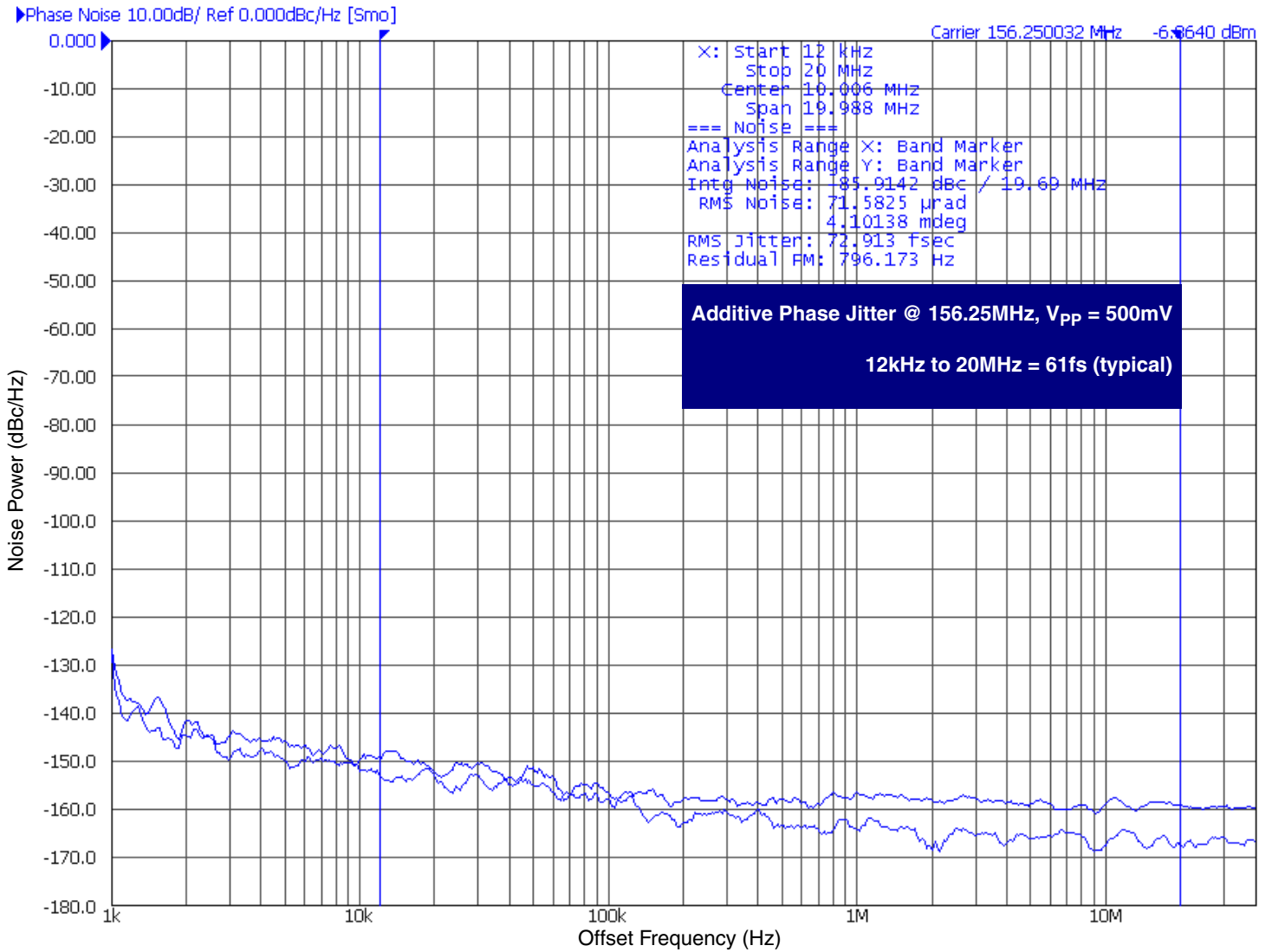




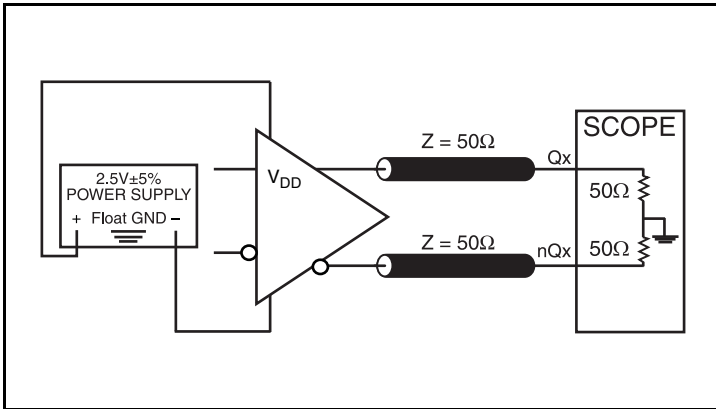
# Typical Phase Noise at 156.25MHz



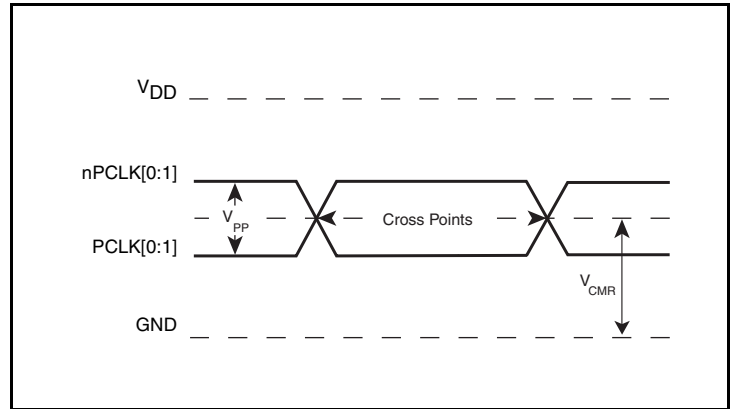
# Typical Phase Noise at 156.25MHz



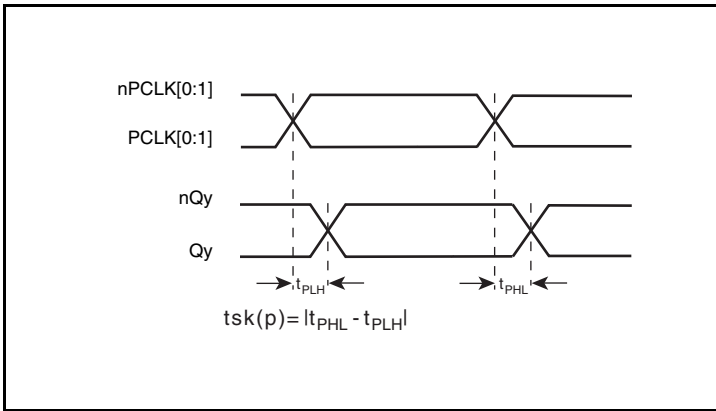
## Parameter Measurement Information



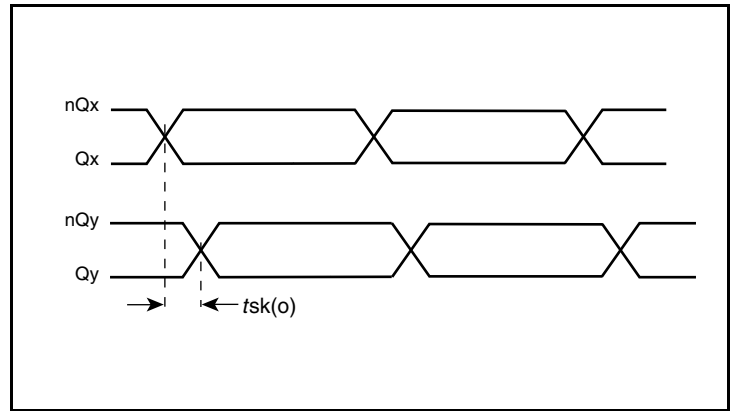
2.5V LVDS Output Load AC Test Circuit



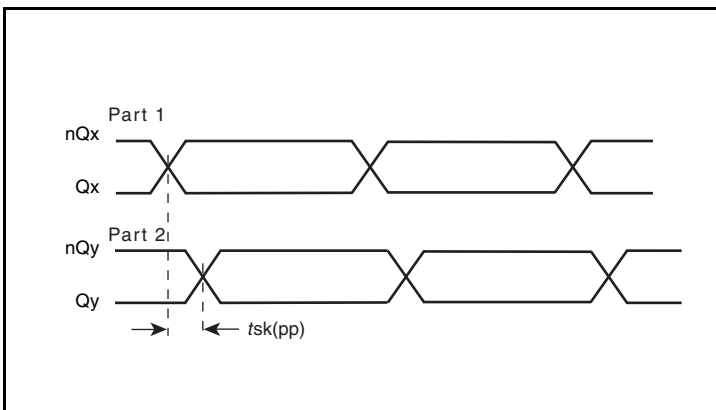
Differential Input Level



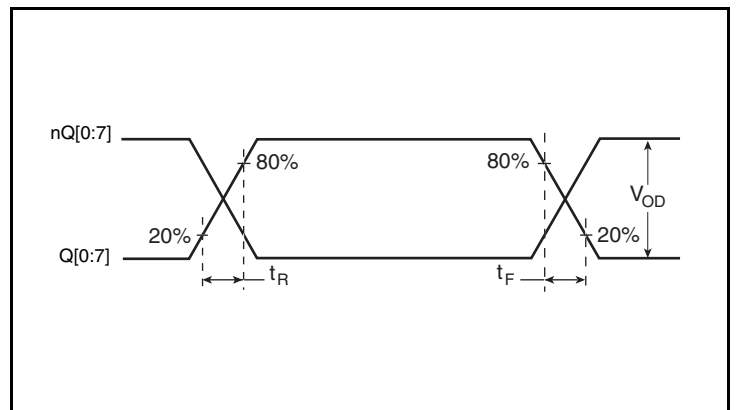
Pulse Skew



Output Skew

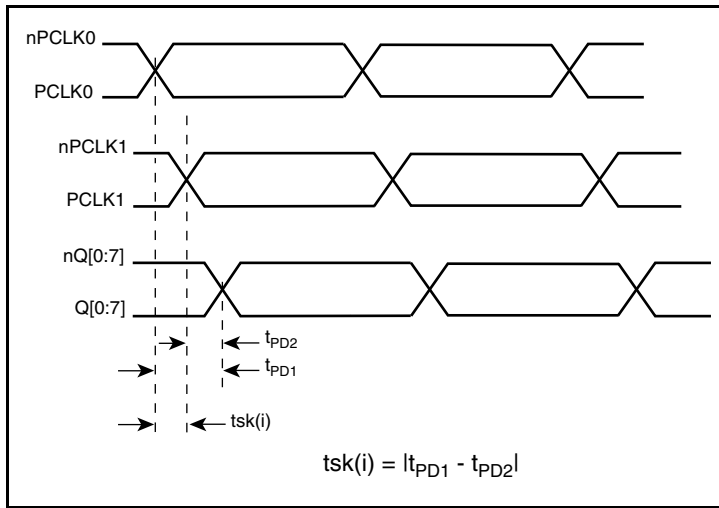


Part-to-Part Skew

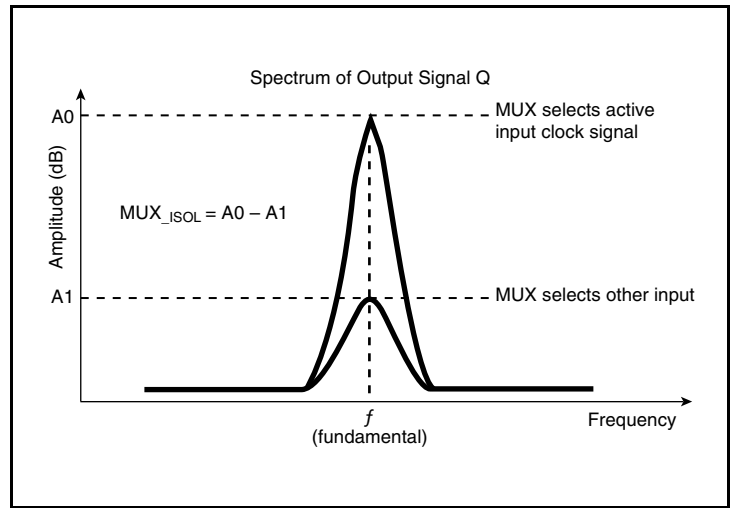


Output Rise/Fall Time

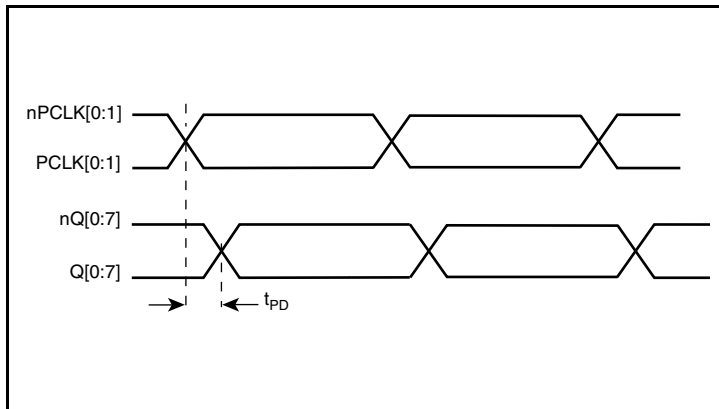
## Parameter Measurement Information, continued



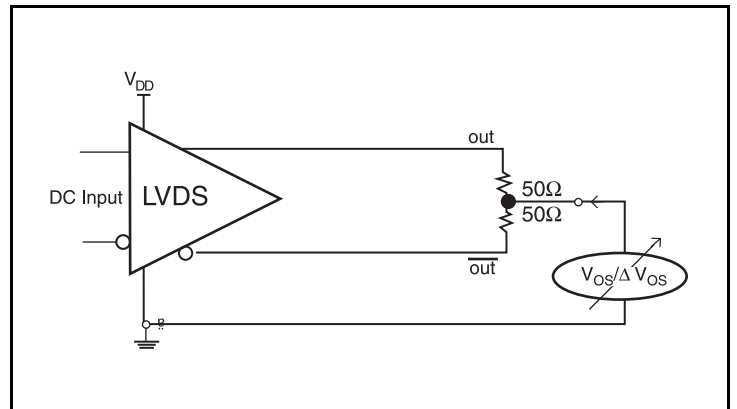
**Input Skew**



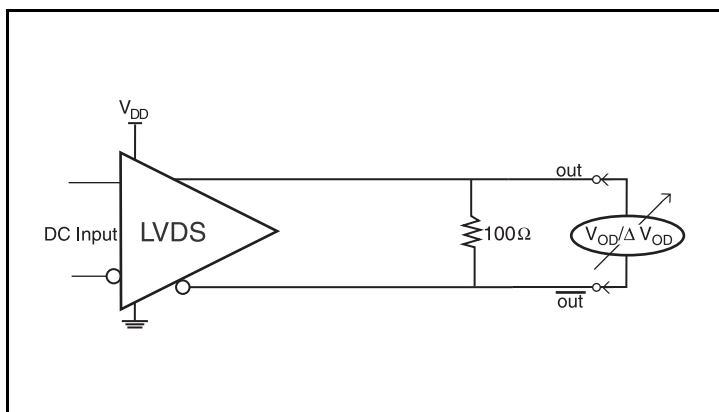
**MUX Isolation**



**Propagation Delay**



**Offset Voltage Setup**



**Differential Output Voltage Setup**

## Applications Information

### Recommendations for Unused Input and Output Pins

#### Inputs:

##### PCLK/nPCLK Inputs

For applications not requiring the use of a differential input, both the PCLK and nPCLK pins can be left floating. Though not required, but for additional protection, a 1k $\Omega$  resistor can be tied from PCLK to ground.

#### Outputs:

##### LVDS Outputs

All unused LVDS output pairs can be either left floating or terminated with 100 $\Omega$  across. If they are left floating, there should be no trace attached.

### Wiring the Differential Input to Accept Single-Ended Levels

Figure 1 shows how a differential input can be wired to accept single ended levels. The reference voltage  $V1 = V_{DD}/2$  is generated by the bias resistors R1 and R2. The bypass capacitor (C1) is used to help filter noise on the DC bias. This bias circuit should be located as close to the input pin as possible. The ratio of R1 and R2 might need to be adjusted to position the V1 in the center of the input voltage swing. For example, if the input clock swing is 2.5V and  $V_{DD} = 2.5V$ , R1 and R2 value should be adjusted to set V1 at 1.25V. The values below are for when both the single ended swing and  $V_{DD}$  are at the same voltage. This configuration requires that the sum of the output impedance of the driver ( $R_o$ ) and the series resistance ( $R_s$ ) equals the transmission line impedance. In addition, matched termination at the input will attenuate the signal in half. This can be done in one of two ways. First, R3 and R4 in parallel should equal the transmission

line impedance. For most 50 $\Omega$  applications, R3 and R4 can be 100 $\Omega$ . The values of the resistors can be increased to reduce the loading for slower and weaker LVCMOS driver. When using single-ended signaling, the noise rejection benefits of differential signaling are reduced. Even though the differential input can handle full rail LVCMOS signaling, it is recommended that the amplitude be reduced. The datasheet specifies a lower differential amplitude, however this only applies to differential signals. For single-ended applications, the swing can be larger, however  $V_{IL}$  cannot be less than -0.3V and  $V_{IH}$  cannot be more than  $V_{DD} + 0.3V$ . Though some of the recommended components might not be used, the pads should be placed in the layout. They can be utilized for debugging purposes. The datasheet specifications are characterized and guaranteed by using a differential signal.

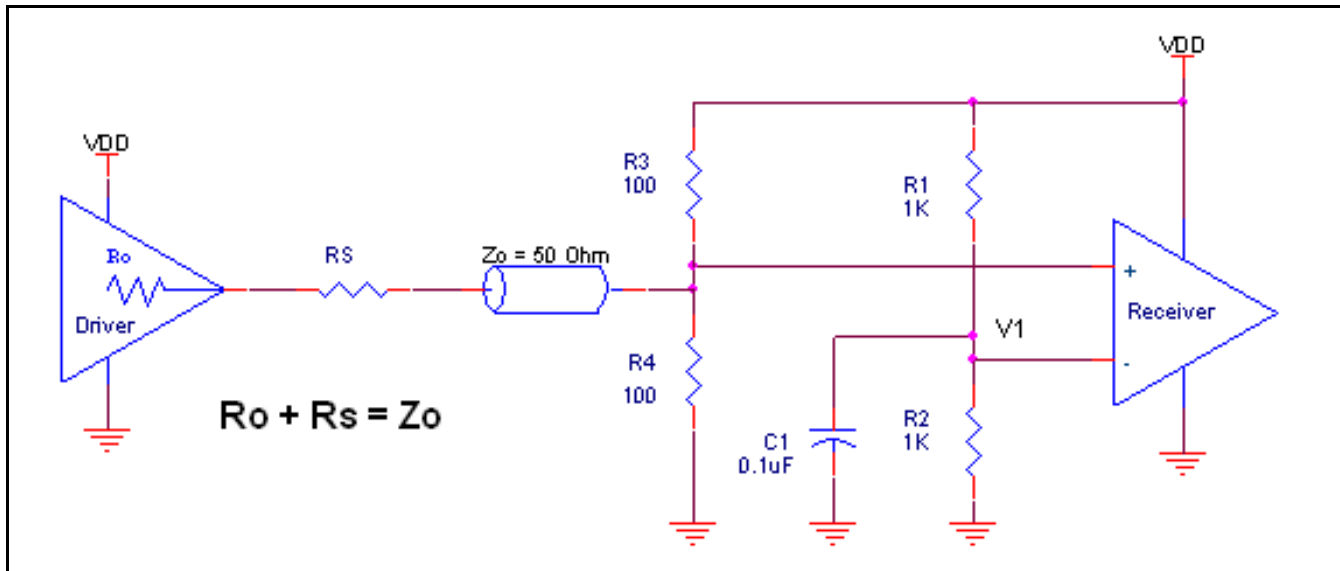
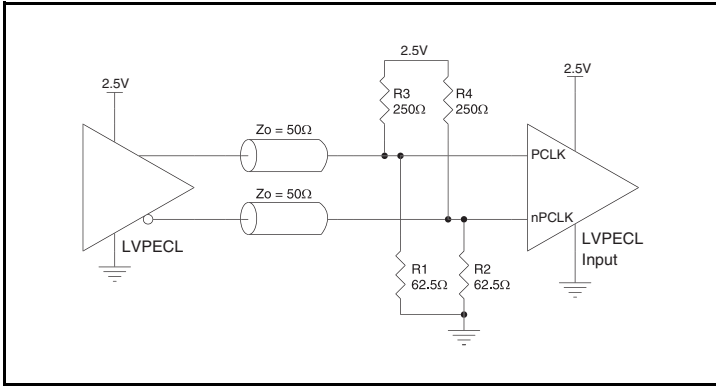


Figure 1. Recommended Schematic for Wiring a Differential Input to Accept Single-ended Levels

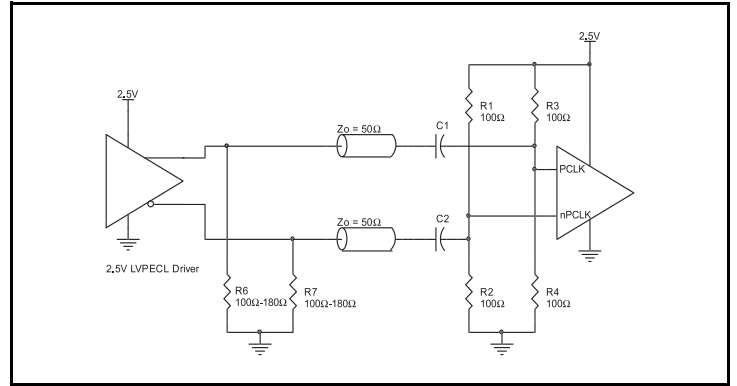
### 2.5V LVPECL Clock Input Interface

The PCLK /nPCLK accepts LVPECL, LVDS and other differential signals. Both signals must meet the  $V_{PP}$  and  $V_{CMR}$  input requirements. *Figures 2A to 2C* show interface examples for the PCLK/ nPCLK input driven by the most common driver types. The

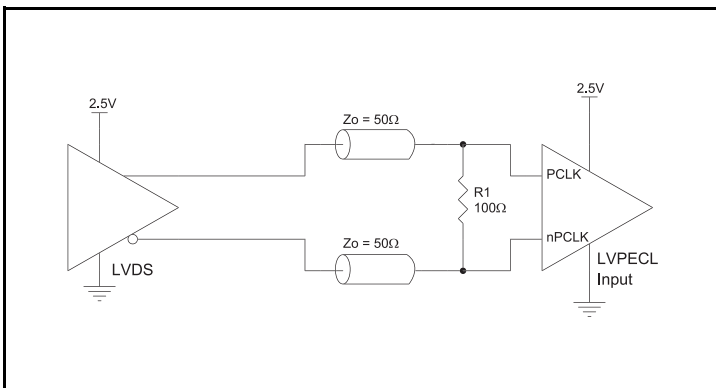
input interfaces suggested here are examples only. If the driver is from another vendor, use their termination recommendation. Please consult with the vendor of the driver component to confirm the driver termination requirements.



**Figure 2A. PCLK/nPCLK Input Driven by a 2.5V LVPECL Driver**



**Figure 2B. PCLK/nPCLK Input Driven by a 2.5V LVPECL Driver with AC Couple**



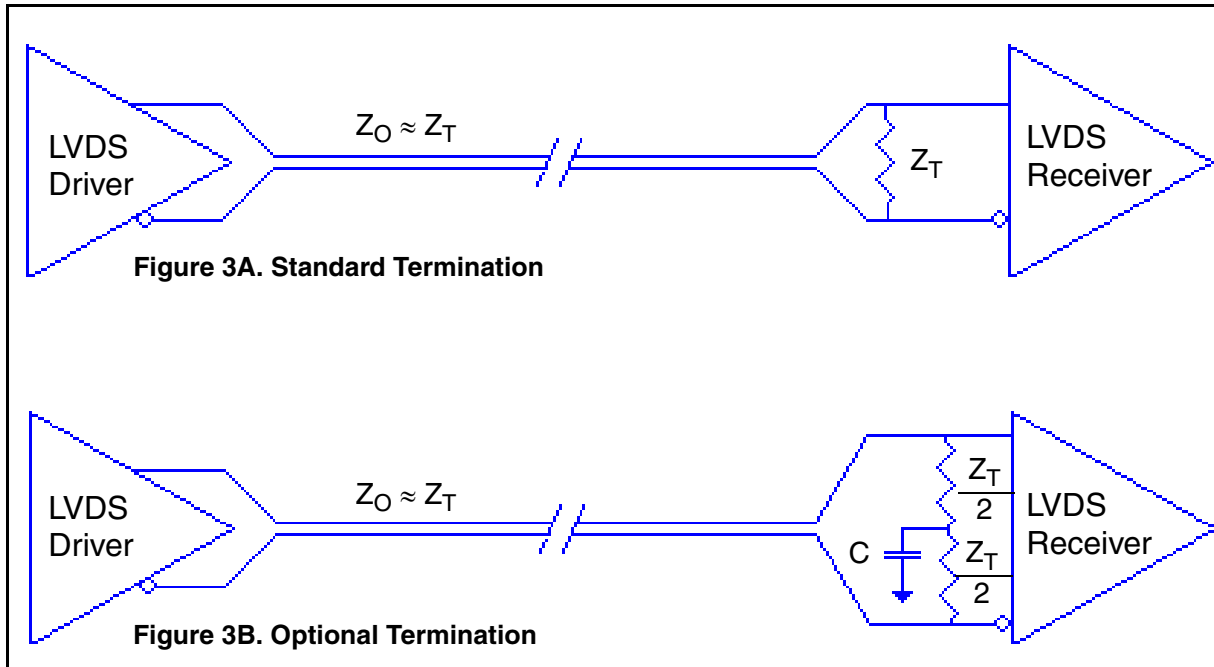
**Figure 2C. PCLK/nPCLK Input Driven by a 2.5V LVDS Driver**



## LVDS Driver Termination

For a general LVDS interface, the recommended value for the termination impedance ( $Z_T$ ) is between  $90\Omega$  and  $132\Omega$ . The actual value should be selected to match the differential impedance ( $Z_0$ ) of your transmission line. A typical point-to-point LVDS design uses a  $100\Omega$  parallel resistor at the receiver and a  $100\Omega$  differential transmission-line environment. In order to avoid any transmission-line reflection issues, the components should be surface mounted and must be placed as close to the receiver as possible. IDT offers a full line of LVDS compliant devices with two types of output structures: current source and voltage source. The

standard termination schematic as shown in *Figure 3A* can be used with either type of output structure. *Figure 3B*, which can also be used with both output types, is an optional termination with center tap capacitance to help filter common mode noise. The capacitor value should be approximately  $50\text{pF}$ . If using a non-standard termination, it is recommended to contact IDT and confirm if the output structure is current source or voltage source type. In addition, since these outputs are LVDS compatible, the input receiver's amplitude and common-mode input range should be verified for compatibility with the output.



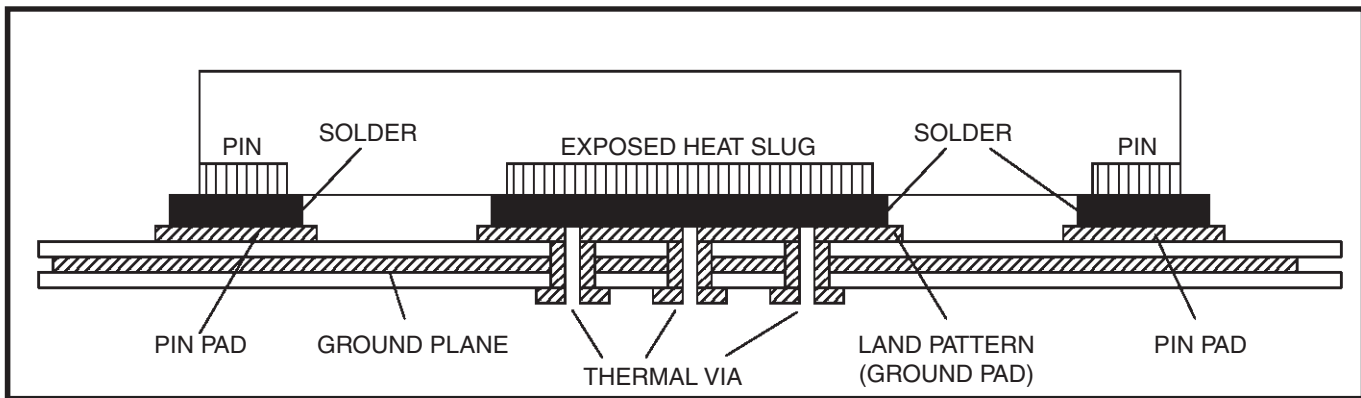
### LVDS Termination

## VFQFN EPAD Thermal Release Path

In order to maximize both the removal of heat from the package and the electrical performance, a land pattern must be incorporated on the Printed Circuit Board (PCB) within the footprint of the package corresponding to the exposed metal pad or exposed heat slug on the package, as shown in *Figure 5*. The solderable area on the PCB, as defined by the solder mask, should be at least the same size/shape as the exposed pad/slug area on the package to maximize the thermal/electrical performance. Sufficient clearance should be designed on the PCB between the outer edges of the land pattern and the inner edges of pad pattern for the leads to avoid any shorts.

While the land pattern on the PCB provides a means of heat transfer and electrical grounding from the package to the board through a solder joint, thermal vias are necessary to effectively conduct from the surface of the PCB to the ground plane(s). The land pattern must be connected to ground through these vias. The vias act as “heat pipes”. The number of vias (i.e. “heat pipes”) are application specific

and dependent upon the package power dissipation as well as electrical conductivity requirements. Thus, thermal and electrical analysis and/or testing are recommended to determine the minimum number needed. Maximum thermal and electrical performance is achieved when an array of vias is incorporated in the land pattern. It is recommended to use as many vias connected to ground as possible. It is also recommended that the via diameter should be 12 to 13mils (0.30 to 0.33mm) with 1oz copper via barrel plating. This is desirable to avoid any solder wicking inside the via during the soldering process which may result in voids in solder between the exposed pad/slug and the thermal land. Precautions should be taken to eliminate any solder voids between the exposed heat slug and the land pattern. Note: These recommendations are to be used as a guideline only. For further information, please refer to the Application Note on the Surface Mount Assembly of Amkor’s Thermally/Electrically Enhance Leadframe Base Package, Amkor Technology.



**Figure 5. P.C. Assembly for Exposed Pad Thermal Release Path – Side View (drawing not to scale)**

## Power Considerations

This section provides information on power dissipation and junction temperature for the IDT8SLVD1208I. Equations and example calculations are also provided.

### 1. Power Dissipation.

The total power dissipation for the IDT8SLVD1208I is the sum of the core power plus the output power dissipation due to the load. The following is the power dissipation for  $V_{DD} = 2.5V + 5\% = 2.625V$ , which gives worst case results.

The maximum current at 85°C is as follows:

$$I_{DD\_MAX} = 170mA$$

- $Power_{(core)MAX} = V_{DD\_MAX} * I_{DD\_MAX} = 2.625V * 170mA = 446.25mW$

$$Total\ Power\_MAX = 446.25mW$$

### 2. Junction Temperature.

Junction temperature,  $T_j$ , is the temperature at the junction of the bond wire and bond pad directly affects the reliability of the device. The maximum recommended junction temperature is 125°C. Limiting the internal transistor junction temperature,  $T_j$ , to 125°C ensures that the bond wire and bond pad temperature remains below 125°C.

The equation for  $T_j$  is as follows:  $T_j = \theta_{JA} * Pd\_total + T_A$

$T_j$  = Junction Temperature

$\theta_{JA}$  = Junction-to-Ambient Thermal Resistance

$Pd\_total$  = Total Device Power Dissipation (example calculation is in section 1 above)

$T_A$  = Ambient Temperature

In order to calculate junction temperature, the appropriate junction-to-ambient thermal resistance  $\theta_{JA}$  must be used. Assuming no air flow and a multi-layer board, the appropriate value is 46.2°C/W per Table 6 below.

Therefore,  $T_j$  for an ambient temperature of 85°C with all outputs switching is:

$$85^\circ C + 0.446W * 46.2^\circ C/W = 105.6^\circ C. \text{ This is below the limit of } 125^\circ C.$$

This calculation is only an example.  $T_j$  will obviously vary depending on the number of loaded outputs, supply voltage, air flow and the type of board (multi-layer).

**Table 6. Thermal Resistance  $\theta_{JA}$  for 28 Lead VFQFN, Forced Convection**

| $\theta_{JA}$ at 0 Air Flow                 |          |         |          |
|---|----------|---------|----------|
| Meters per Second                           | 0        | 1       | 2        |
| Multi-Layer PCB, JEDEC Standard Test Boards | 46.2°C/W | 39.4C/W | 37.1°C/W |

## Reliability Information

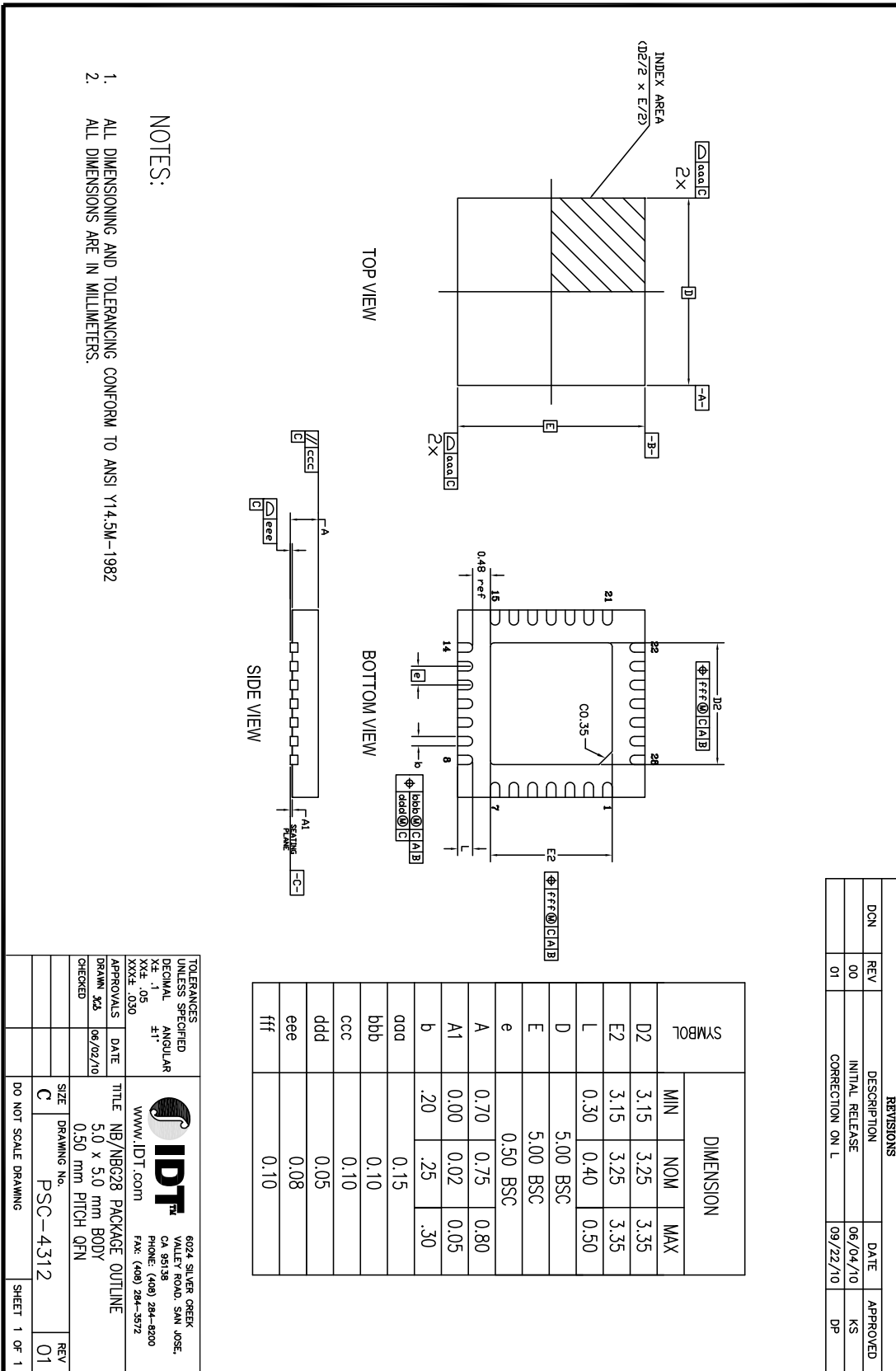
Table 7.  $\theta_{JA}$  vs. Air Flow Table for a 28 Lead VFQFN

| $\theta_{JA}$ at 0 Air Flow                 |          |         |          |
|---|----------|---------|----------|
| Meters per Second                           | 0        | 1       | 2        |
| Multi-Layer PCB, JEDEC Standard Test Boards | 46.2°C/W | 39.4C/W | 37.1°C/W |

## Transistor Count

The transistor count for the IDT8SLVD1208I is: 489

# 28 Lead VFQFN Package Outline and Package Dimensions



## Ordering Information

**Table 6. Ordering Information**

| Part/Order Number | Marking      | Package                   | Shipping Packaging                           | Temperature   |
|-------------------|--------------|---------------------------|--|---------------|
| 8SLVD1208NBGI     | SLVD1208NBGI | “Lead-Free” 28 Lead VFQFN | Tray   | -40°C to 85°C |
| 8SLVD1208NBGI8    | SLVD1208NBGI | “Lead-Free” 28 Lead VFQFN | Tape & Reel,<br>pin 1 orientation: EIA-481-C | -40°C to 85°C |
| 8SLVD1208NBGI/W   | SLVD1208NBGI | “Lead-Free” 28 Lead VFQFN | Tape & Reel,<br>pin 1 orientation: EIA-481-D | -40°C to 85°C |

**Table 9. Pin 1 Orientation in Tape and Reel Packaging**

| Part Number Suffix | Pin 1 Orientation      | Illustration |
|--------------------|------------------------|--------------|
| 8                  | Quadrant 1 (EIA-481-C) |              |
| /W                 | Quadrant 2 (EIA-481-D) |              |



## We've Got Your Timing Solution



6024 Silver Creek Valley Road  
San Jose, California 95138

**Sales**  
800-345-7015 (inside USA)  
+408-284-8200 (outside USA)  
Fax: 408-284-2775  
[www.IDT.com/go/contactIDT](http://www.IDT.com/go/contactIDT)

**Technical Support Sales**  
[netcom@idt.com](mailto:netcom@idt.com)  
+480-763-2056

DISCLAIMER Integrated Device Technology, Inc. (IDT) and its subsidiaries reserve the right to modify the products and/or specifications described herein at any time and at IDT's sole discretion. All information in this document, including descriptions of product features and performance, is subject to change without notice. Performance specifications and the operating parameters of the described products are determined in the independent state and are not guaranteed to perform the same way when installed in customer products. The information contained herein is provided without representation or warranty of any kind, whether express or implied, including, but not limited to, the suitability of IDT's products for any particular purpose, an implied warranty of merchantability, or non-infringement of the intellectual property rights of others. This document is presented only as a guide and does not convey any license under intellectual property rights of IDT or any third parties.

IDT's products are not intended for use in applications involving extreme environmental conditions or in life support systems or similar devices where the failure or malfunction of an IDT product can be reasonably expected to significantly affect the health or safety of users. Anyone using an IDT product in such a manner does so at their own risk, absent an express, written agreement by IDT.

Integrated Device Technology, IDT and the IDT logo are registered trademarks of IDT. Other trademarks and service marks used herein, including protected names, logos and designs, are the property of IDT or their respective third party owners.

Copyright 2013. All rights reserved.