



Chipsmall Limited consists of a professional team with an average of over 10 year of expertise in the distribution of electronic components. Based in Hongkong, we have already established firm and mutual-benefit business relationships with customers from,Europe,America and south Asia,supplying obsolete and hard-to-find components to meet their specific needs.

With the principle of “Quality Parts,Customers Priority,Honest Operation,and Considerate Service”,our business mainly focus on the distribution of electronic components. Line cards we deal with include Microchip,ALPS,ROHM,Xilinx,Pulse,ON,Everlight and Freescale. Main products comprise IC,Modules,Potentiometer,IC Socket,Relay,Connector.Our parts cover such applications as commercial,industrial, and automotives areas.

We are looking forward to setting up business relationship with you and hope to provide you with the best service and solution. Let us make a better world for our industry!



Contact us

Tel: +86-755-8981 8866 Fax: +86-755-8427 6832

Email & Skype: info@chipsmall.com Web: www.chipsmall.com

Address: A1208, Overseas Decoration Building, #122 Zhenhua RD., Futian, Shenzhen, China



8SS



RoHS Compliant

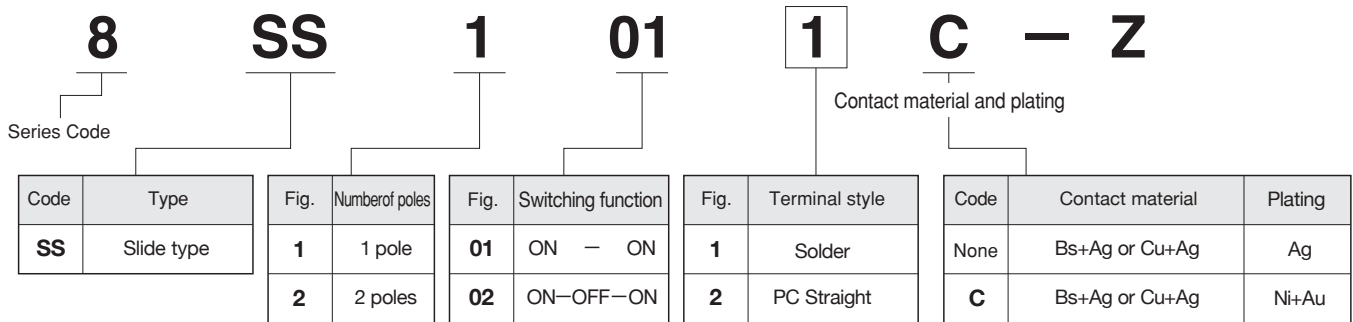


Sub-miniature Slide Switch

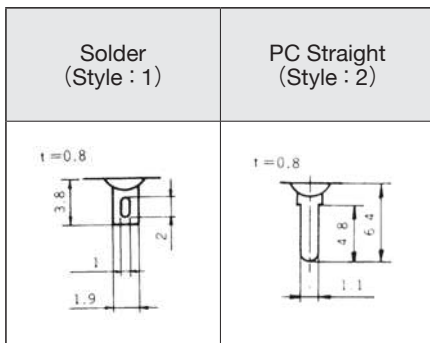
Specifications

Contact specs.		Silver	Gold	
Rating	Max.	AC125V 6A DC30V 4A	DC20V 25mA AC125V 6A	
	Min.	AC/DC5V 100mA	AC/DC20mV 1μA	
Initial contact resistance		10mΩ max. (DC2~4V1A)	20mΩ max. (AC200μV 1,5mA)	
Initial dielectric strength				1,000VAC 1 minute
Initial insulation resistance				1,000MΩ min. (DC500V)
Electrical life	ON — ON	30,000 cycles		
	ON — OFF — ON	20,000 cycles		
Mechanical life				100,000 cycles
Switch timing				-30~+85°C
Operating temperature range				-40~+85°C

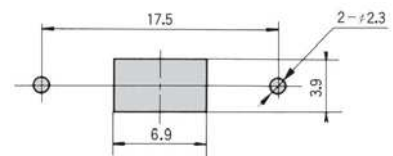
Part Numbering



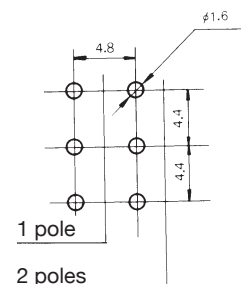
Terminal Styles



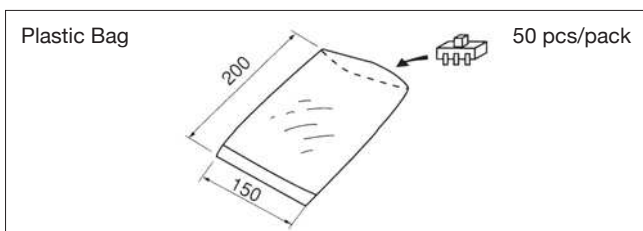
Panel Cut-Out Dimensions



PC Hole Layouts



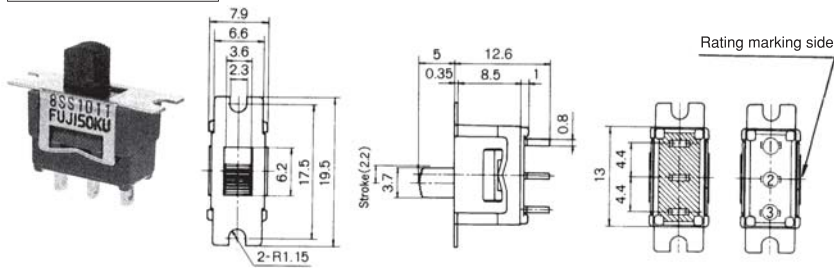
Packaging Specifications



8SS

SPDT

Solder terminal



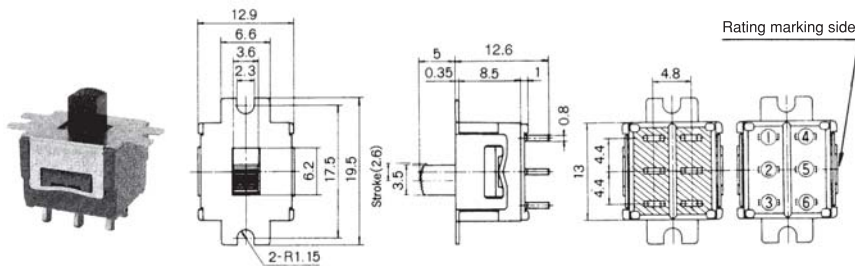
S/D

The terminal numbers are not shown on the switch.

Switching function	Viewed from rating marking side		
Part No.			
8SS1011-Z	ON	—	ON
★8SS1011C-Z	ON	—	ON
★8SS1021-Z	ON	OFF	ON
★8SS1021C-Z	ON	OFF	ON
Connecting terminals	2-1	—	2-3

DPDT

Solder terminal



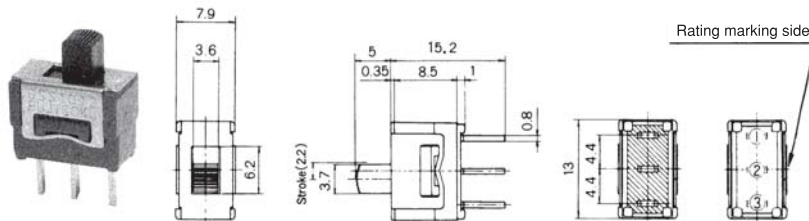
S/D

The terminal numbers are not shown on the switch.

Switching function	Viewed from rating marking side		
Part No.			
8SS2011-Z	ON	—	ON
★8SS2011C-Z	ON	—	ON
★8SS2021-Z	ON	OFF	ON
★8SS2021C-Z	ON	OFF	ON
Connecting terminals	2-1 5-4	—	2-3 5-6

SPDT

PC Straight



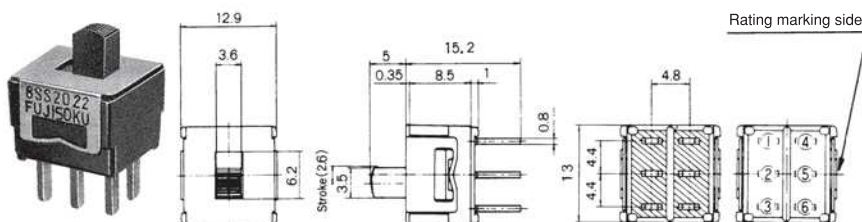
P/C

The terminal numbers are not shown on the switch.

Switching function	Viewed from rating marking side		
Part No.			
8SS1012-Z	ON	—	ON
▲8SS1012C-Z	ON	—	ON
★8SS1022-Z	ON	OFF	ON
★8SS1022C-Z	ON	OFF	ON
Connecting terminals	2-1	—	2-3

DPDT

PC Straight



P/C

The terminal numbers are not shown on the switch.

Switching function	Viewed from rating marking side		
Part No.			
8SS2012-Z	ON	—	ON
★8SS2012C-Z	ON	—	ON
★8SS2022-Z	ON	OFF	ON
★8SS2022C-Z	ON	OFF	ON
Connecting terminals	2-1 5-4	—	2-3 5-6