



Chipsmall Limited consists of a professional team with an average of over 10 year of expertise in the distribution of electronic components. Based in Hongkong, we have already established firm and mutual-benefit business relationships with customers from,Europe,America and south Asia,supplying obsolete and hard-to-find components to meet their specific needs.

With the principle of "Quality Parts,Customers Priority,Honest Operation,and Considerate Service",our business mainly focus on the distribution of electronic components. Line cards we deal with include Microchip,ALPS,ROHM,Xilinx,Pulse,ON,Everlight and Freescale. Main products comprise IC,Modules,Potentiometer,IC Socket,Relay,Connector.Our parts cover such applications as commercial,industrial, and automotives areas.

We are looking forward to setting up business relationship with you and hope to provide you with the best service and solution. Let us make a better world for our industry!



Contact us

Tel: +86-755-8981 8866 Fax: +86-755-8427 6832

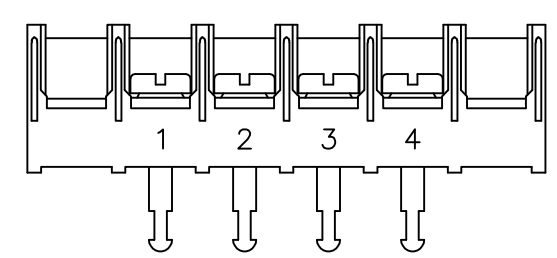
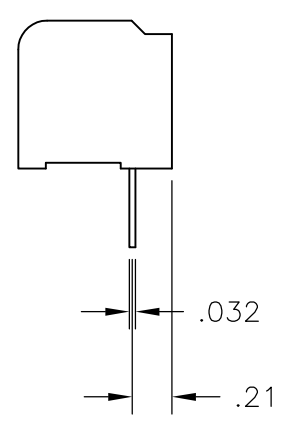
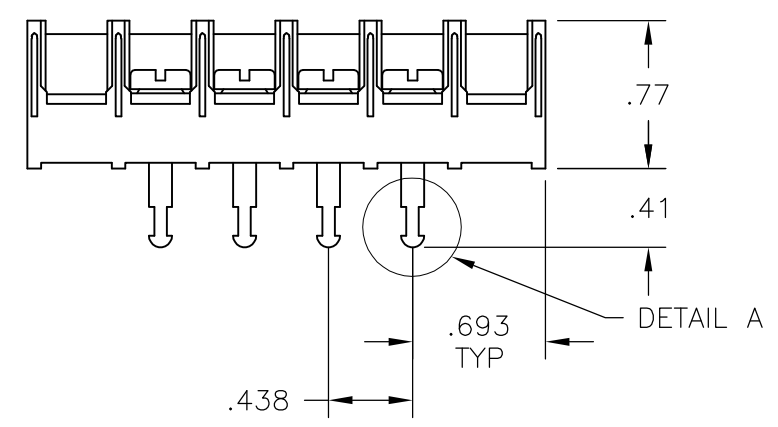
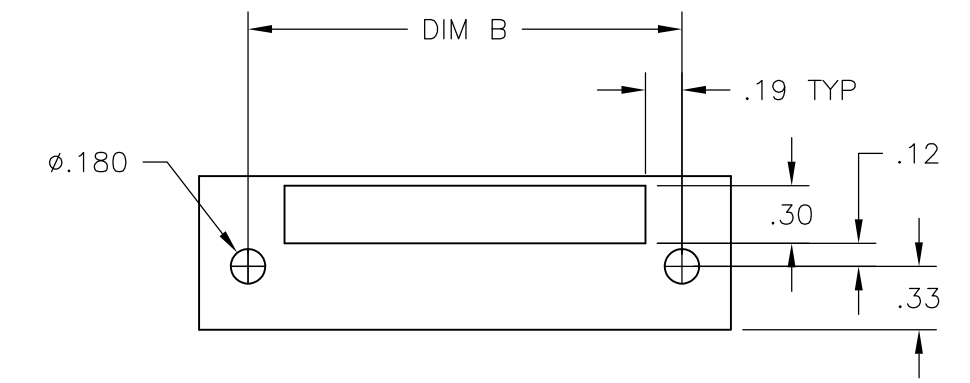
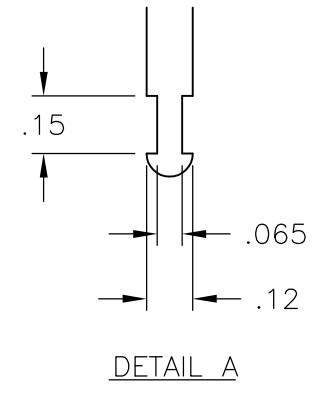
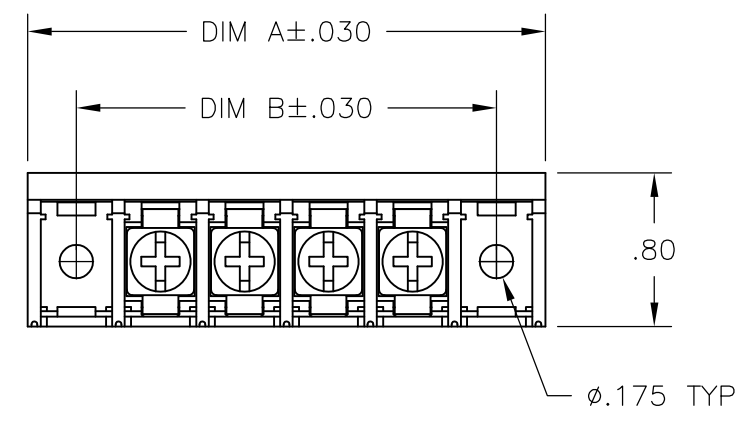
Email & Skype: info@chipsmall.com Web: www.chipsmall.com

Address: A1208, Overseas Decoration Building, #122 Zhenhua RD., Futian, Shenzhen, China

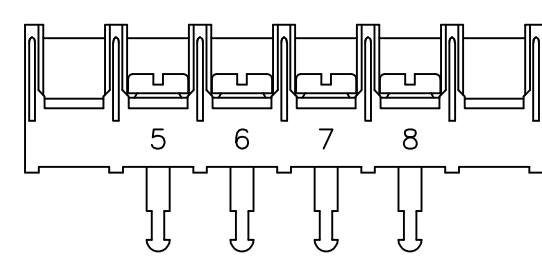


THIS DRAWING IS UNPUBLISHED. RELEASED FOR PUBLICATION
 © COPYRIGHT BY TYCO ELECTRONICS CORPORATION. ALL RIGHTS RESERVED.

LOC	DIST	REVISIONS					
FT	0	P	LTR	DESCRIPTION	DATE	DWN	APVD
			D	REVISED PER ECO-10-004812	06MAY10	HMR	CR



1-796857-9



2-796857-0

8.312	8.823	18	8STV-18-006	1-796857-8	
7.875	8.385	17	8STV-17-006	1-796857-7	
7.437	7.948	16	8STV-16-006	1-796857-6	
7.000	7.510	15	8STV-15-006	796857-2	
6.562	7.073	14	8STV-14-006	1-796857-4	
6.125	6.635	13	8STV-13-006	1-796857-3	
5.687	6.198	12	8STV-12-006	6-1437659-6	
5.250	5.760	11	8STV-11-006	1-796857-1	
4.812	5.323	10	8STV-10-006	6-1437659-4	
4.375	4.885	9	8STV-09-006	6-1437659-3	
3.937	4.448	8	8STV-08-006	796857-8	
3.500	4.010	7	8STV-07-006	796857-7	
3.062	3.573	6	8STV-06-006	796857-1	
2.625	3.135	5	8STV-05-006	796857-6	
	2.187	2.698	4	8STV-04-660	2-796857-0
	2.187	2.698	4	8STV-04-659	1-796857-9
	2.187	2.698	4	8STV-04-006	5-1437659-2
	1.750	2.260	3	8STV-03-006	4-1437659-8
	1.313	1.823	2	8STV-02-006	796857-5
DIM B	DIM A	NO OF POS	CATALOG NUMBER	TE PART NO	

1
OBSOLETE

MATERIAL:
 HOUSING: THERMOPLASTIC, UL94V-0, BLACK.
 TERMINALS: BRIGHT TIN PLATED COPPER ALLOY.
 SCREWS: 8-32, ZINC PLATED STEEL.

ELECTRICAL:
 CURRENT RATING: 30A
 VOLTAGE RATING: 600V
 WIRE RANGE: 10-18 AWG (UL)
 10-22 AWG (CSA)

ENVIRONMENTAL:
 RECOMMENDED TORQUE: 20 IN-LB.
 OPERATING TEMP.: -40°C TO +120°C

1 OBSOLETE PARTS: OBSOLETE CIS STREAMLINING PER D.RENAUD/D.SINISI

THIS DRAWING IS A CONTROLLED DOCUMENT.		DWN	S SCHLEGEL	2/6/04	Tyco Electronics Corporation Harrisburg, PA 17105-3608	
DIMENSIONS: INCHES		CHK	H WAKEEM	2/6/04		
TOLERANCES UNLESS OTHERWISE SPECIFIED:		APVD	S YODER	2/6/04		
0 PLC ± - 1 PLC ± - 2 PLC ± .01 3 PLC ± .005 4 PLC ± - ANGLES ± 2°		PRODUCT SPEC		NAME		
MATERIAL		APPLICATION SPEC		8STV-XX-006 ASSEMBLY		
FINISH		WEIGHT	-		SIZE	A3
		CUSTOMER DRAWING		CAGE CODE	00779	
				DRAWING NO	G-4-1437659-8	
				RESTRICTED TO	-	
				SCALE	1:1	
				SHEET	1 OF 1	
				REV	D	