



Chipsmall Limited consists of a professional team with an average of over 10 year of expertise in the distribution of electronic components. Based in Hongkong, we have already established firm and mutual-benefit business relationships with customers from,Europe,America and south Asia,supplying obsolete and hard-to-find components to meet their specific needs.

With the principle of “Quality Parts,Customers Priority,Honest Operation,and Considerate Service”,our business mainly focus on the distribution of electronic components. Line cards we deal with include Microchip,ALPS,ROHM,Xilinx,Pulse,ON,Everlight and Freescale. Main products comprise IC,Modules,Potentiometer,IC Socket,Relay,Connector.Our parts cover such applications as commercial,industrial, and automotives areas.

We are looking forward to setting up business relationship with you and hope to provide you with the best service and solution. Let us make a better world for our industry!



## Contact us

Tel: +86-755-8981 8866 Fax: +86-755-8427 6832

Email & Skype: info@chipsmall.com Web: www.chipsmall.com

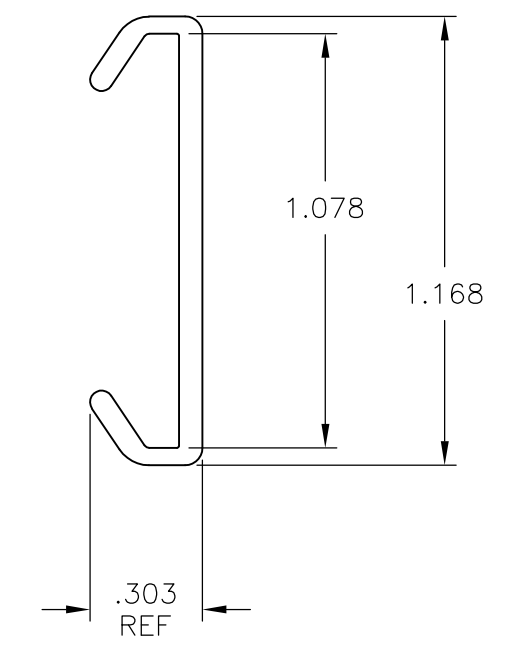
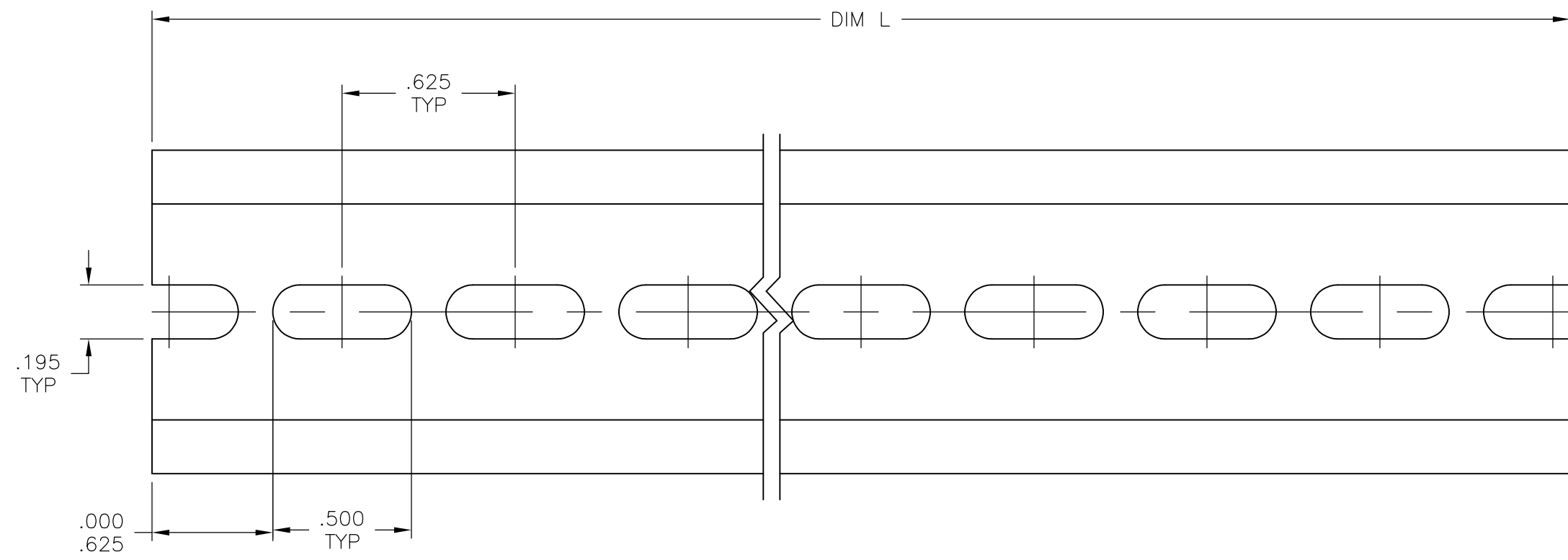
Address: A1208, Overseas Decoration Building, #122 Zhenhua RD., Futian, Shenzhen, China



THIS DRAWING IS UNPUBLISHED. RELEASED FOR PUBLICATION  
 © COPYRIGHT - By - ALL RIGHTS RESERVED.

LOC	DIST	REVISIONS					
FT	0	P	LTR	DESCRIPTION	DATE	DWN	APVD
			B	REVISED PER ECO-12-017740	08OCT12	KH	MB

- 1 MATERIAL: ALUMINUM.
- 2 FOR USE WITH DOVETAIL BASE TERMINAL BLOCKS.



36"	PRE-PUNCHED CHANNEL, ALUM, 3FT	67	1437382-2
72"	PRE-PUNCHED CHANNEL, ALUM, 6FT	64	9-1437381-9
DIM L	DESCRIPTION	CATALOG NUMBER	PART NUMBER

THIS DRAWING IS A CONTROLLED DOCUMENT.		DWN	S SCHLEGEL	25JUN03	<b>STE</b> TE Connectivity		
DIMENSIONS: INCHES		CHK	S YODER	6/25/03			
TOLERANCES UNLESS OTHERWISE SPECIFIED:		APVD	S YODER	6/25/03	NAME		
0 PLC ± -		PRODUCT SPEC		CHANNEL EXTRUDED FOR DOVETAIL BLOCKS			
1 PLC ± -		APPLICATION SPEC		-			
2 PLC ± .015		SIZE	A3	CAGE CODE	00779	DRAWING NO	C-9-1437381-9
3 PLC ± .010		RESTRICTED TO		-			
4 PLC ± -		CUSTOMER DRAWING		SCALE	2:1	SHEET	1 OF 1
ANGLES ± -		MATERIAL		1		REV	B
FINISH -		WEIGHT		-			