



Chipsmall Limited consists of a professional team with an average of over 10 year of expertise in the distribution of electronic components. Based in Hongkong, we have already established firm and mutual-benefit business relationships with customers from,Europe,America and south Asia,supplying obsolete and hard-to-find components to meet their specific needs.

With the principle of “Quality Parts,Customers Priority,Honest Operation,and Considerate Service”,our business mainly focus on the distribution of electronic components. Line cards we deal with include Microchip,ALPS,ROHM,Xilinx,Pulse,ON,Everlight and Freescale. Main products comprise IC,Modules,Potentiometer,IC Socket,Relay,Connector.Our parts cover such applications as commercial,industrial, and automotives areas.

We are looking forward to setting up business relationship with you and hope to provide you with the best service and solution. Let us make a better world for our industry!



## Contact us

Tel: +86-755-8981 8866 Fax: +86-755-8427 6832

Email & Skype: info@chipsmall.com Web: www.chipsmall.com

Address: A1208, Overseas Decoration Building, #122 Zhenhua RD., Futian, Shenzhen, China



THIS DRAWING IS UNPUBLISHED. RELEASED FOR PUBLICATION  
 © COPYRIGHT BY TYCO ELECTRONICS CORPORATION. ALL RIGHTS RESERVED.

LOC	DIST	REVISIONS			
P	LTR	DESCRIPTION	DATE	DWN	APVD
FT	0	0	RELEASED	10/22/03	SS CR

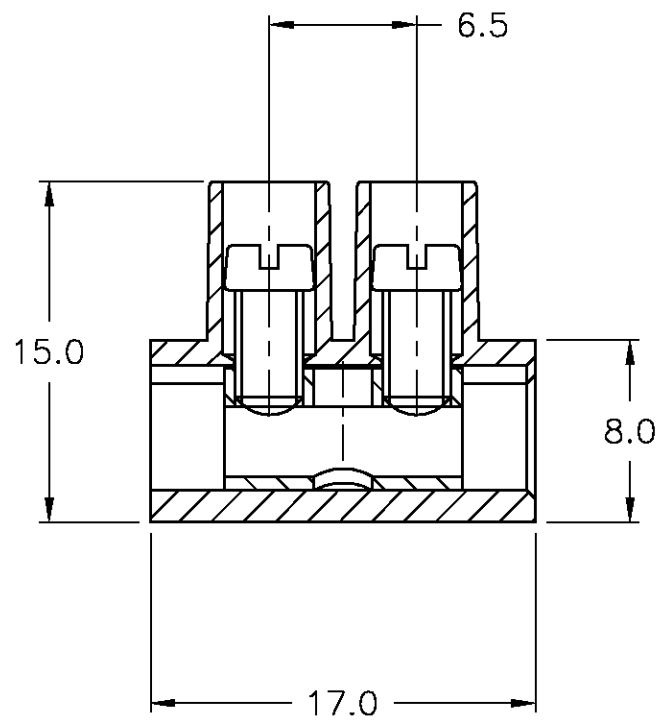
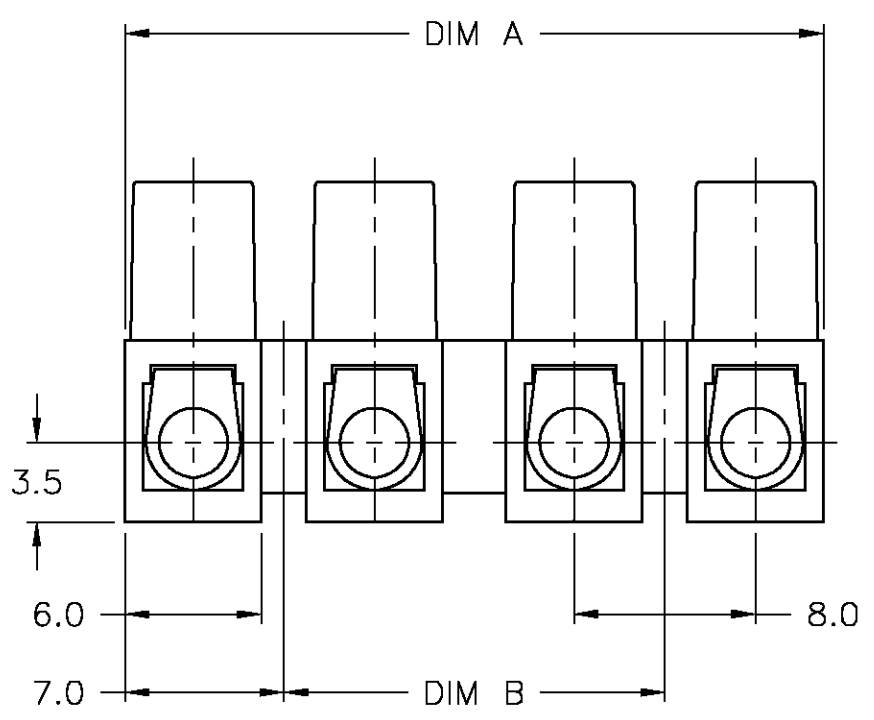
**NOTES:**

**MATERIALS:**  
 HOUSING: POLYAMIDE 6, UL94V-0, COLOR: NATURAL.  
 TUBULAR CONTACT: BRASS, TIN PLATED.  
 SCREW: M3, STEEL, ZINC PLATED W/ CHROMATE.

**MECHANICAL:**  
 PITCH: 8.0mm  
 WIRE STRIP LENGTH: 5mm  
 MIN. WIRE PULL OUT: 75 LBS.  
 RECOMMENDED TIGHTENING TORQUE: 5 IN-LB.

**ELECTRICAL PROPERTIES:**  
 MAXIMUM CURRENT: 30A  
 OPERATING VOLTAGE: 250V  
 WIRE RANGE: 12-24 AWG  
 DIELECTRIC WITHSTAND: 3000V

**ENVIRONMENTAL PROPERTIES:**  
 CONTINUOUS WORKING TEMP: -35°C TO +100°C



80.0	94.0	12	TSB230 12	1437388-2
72.0	86.0	11	TSB230 11	-
64.0	78.0	10	TSB230 10	4-1437429-4
56.0	70.0	9	TSB230 09	9-1437387-7
48.0	62.0	8	TSB230 08	9-1437387-5
40.0	54.0	7	TSB230 07	-
32.0	46.0	6	TSB230 06	9-1437387-2
24.0	38.0	5	TSB230 05	9-1437387-0
16.0	30.0	4	TSB230 04	8-1437387-8
8.0	22.0	3	TSB230 03	8-1437387-6
-	14.0	2	TSB230 02	8-1437387-4
-	6.0	1	TSB230 01	8-1437387-3
DIM B	DIM A	NO. OF POS.	CATALOG NUMBER	PART NUMBER

THIS DRAWING IS A CONTROLLED DOCUMENT.		DWN S SCHLEGEL 22OCT03	Tyco Electronics Corporation Harrisburg, PA 17105	
DIMENSIONS: MM		CHK C RICHARD 10/22/03		
TOLERANCES UNLESS OTHERWISE SPECIFIED:		APVD C RICHARD 10/22/03	NAME 8.0mm PITCH, 30A, W/ TUNNEL CONNECTION EUROPA TERMINAL BLOCK	
0 PLC ± - 1 PLC ± .3 2 PLC ± .25 3 PLC ± - 4 PLC ± - ANGLES ± -		PRODUCT SPEC -	APPLICATION SPEC -	
MATERIAL		WEIGHT	SIZE A3	CAGE CODE 00779
FINISH		CUSTOMER DRAWING	DRAWING NO C-8-1437387-3	RESTRICTED TO
		SCALE NTS	SHEET 1	OF 1
			REV 0	