



Chipsmall Limited consists of a professional team with an average of over 10 year of expertise in the distribution of electronic components. Based in Hongkong, we have already established firm and mutual-benefit business relationships with customers from,Europe,America and south Asia,supplying obsolete and hard-to-find components to meet their specific needs.

With the principle of “Quality Parts,Customers Priority,Honest Operation,and Considerate Service”,our business mainly focus on the distribution of electronic components. Line cards we deal with include Microchip,ALPS,ROHM,Xilinx,Pulse,ON,Everlight and Freescale. Main products comprise IC,Modules,Potentiometer,IC Socket,Relay,Connector.Our parts cover such applications as commercial,industrial, and automotives areas.

We are looking forward to setting up business relationship with you and hope to provide you with the best service and solution. Let us make a better world for our industry!



Contact us

Tel: +86-755-8981 8866 Fax: +86-755-8427 6832

Email & Skype: info@chipsmall.com Web: www.chipsmall.com

Address: A1208, Overseas Decoration Building, #122 Zhenhua RD., Futian, Shenzhen, China

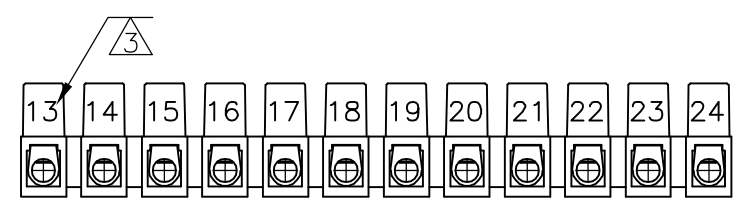
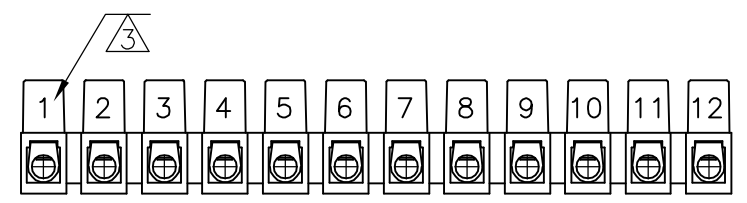
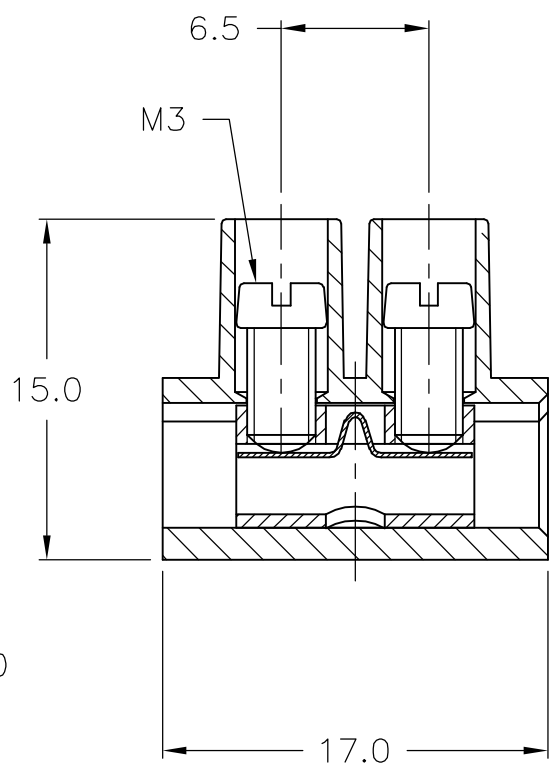
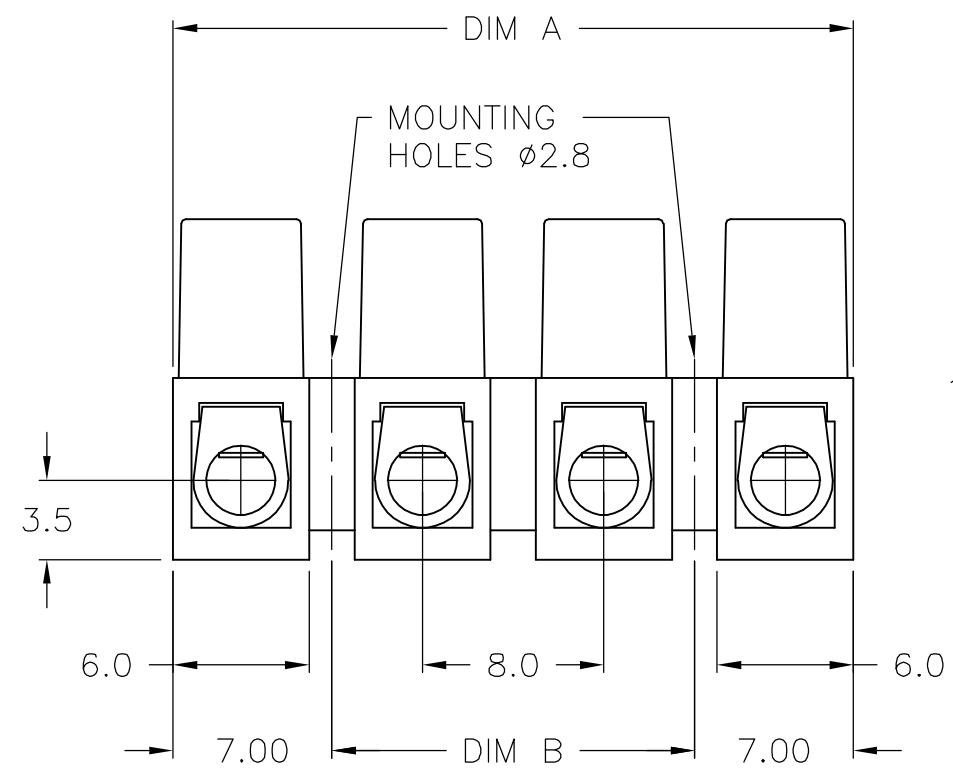


THIS DRAWING IS UNPUBLISHED. RELEASED FOR PUBLICATION
 © COPYRIGHT BY TYCO ELECTRONICS CORPORATION. ALL RIGHTS RESERVED.

LOC	DIST	REVISIONS					
FT	0	P	LTR	DESCRIPTION	DATE	DWN	APVD
				D1 REVISED PER ECO-06-24176	10/18/06	SS	CR

NOTES:

- MATERIAL:
 HOUSING - POLYIMIDE 6 UL94V-2
 COLOR - NATURAL (OFF WHITE)
 TUBULAR CONTACT: BRASS TIN PLATED
 SCREW: STEEL M3 ZINC W/ CHROMATE
 WIRE PROTECTOR: STAINLESS STEEL
 - CURRENT RATING: 30A, 250V
 12-26 AWG
- INK STAMPED, BLACK PERMANENT INK.
 PRELIMINARY PART NUMBER.



	80.0	94.0	12	-	796753-4
	80.0	94.0	12	-	796753-3
	80.0	94.0	12	TSB23012DS	1437388-3
	72.0	86.0	11	TSB23011DS	1437388-1
	64.0	78.0	10	TSB23010DS	9-1437387-9
	56.0	70.0	9	TSB23009DS	9-1437387-8
	48.0	62.0	8	TSB23008DS	9-1437387-6
	40.0	54.0	7	TSB23007DS	9-1437387-4
	32.0	46.0	6	TSB23006DS	9-1437387-3
	24.0	38.0	5	TSB23005DS	9-1437387-1
	16.0	30.0	4	TSB23004DS	8-1437387-9
	8.0	22.0	3	TSB23003DS	8-1437387-7
	-	14.0	2	TSB23002DS	8-1437387-5
	-	6.0	1	TSB23001DS	796753-1
DIM B	DIM A	NO. POSN	CATALOG NUMBER	TYCO NUMBER	

THIS DRAWING IS A CONTROLLED DOCUMENT.

DIMENSIONS: MM	TOLERANCES UNLESS OTHERWISE SPECIFIED:	DWN S SCHLEGEL 12/2/02	Tyco Electronics Corporation Harrisburg, PA 17105 BUCHANAN NAME EUROPA TERMINAL BLOCK W/WIRE PROTECTOR MOUNTING HOLES 2.8 DIA., 8.0mm PITCH NOT the LATEST REVISION
	0 PLC $\pm -$ 1 PLC $\pm .3$ 2 PLC $\pm .25$ 3 PLC $\pm -$ 4 PLC $\pm -$ ANGLES ± 2	CHK C RICHARD 12/2/02	
MATERIAL -	FINISH -	APVD C RICHARD 12/2/02	
		PRODUCT SPEC -	
		APPLICATION SPEC -	SIZE A3
		WEIGHT -	CAGE CODE 00779
		CUSTOMER DRAWING	DRAWING NO C-8-1437387-5
			RESTRICTED TO -
			SCALE 3:1
			SHEET 1 OF 1
			REV D1