



Chipsmall Limited consists of a professional team with an average of over 10 year of expertise in the distribution of electronic components. Based in Hongkong, we have already established firm and mutual-benefit business relationships with customers from,Europe,America and south Asia,supplying obsolete and hard-to-find components to meet their specific needs.

With the principle of “Quality Parts,Customers Priority,Honest Operation,and Considerate Service”,our business mainly focus on the distribution of electronic components. Line cards we deal with include Microchip,ALPS,ROHM,Xilinx,Pulse,ON,Everlight and Freescale. Main products comprise IC,Modules,Potentiometer,IC Socket,Relay,Connector.Our parts cover such applications as commercial,industrial, and automotives areas.

We are looking forward to setting up business relationship with you and hope to provide you with the best service and solution. Let us make a better world for our industry!



## Contact us

Tel: +86-755-8981 8866 Fax: +86-755-8427 6832

Email & Skype: info@chipsmall.com Web: www.chipsmall.com

Address: A1208, Overseas Decoration Building, #122 Zhenhua RD., Futian, Shenzhen, China

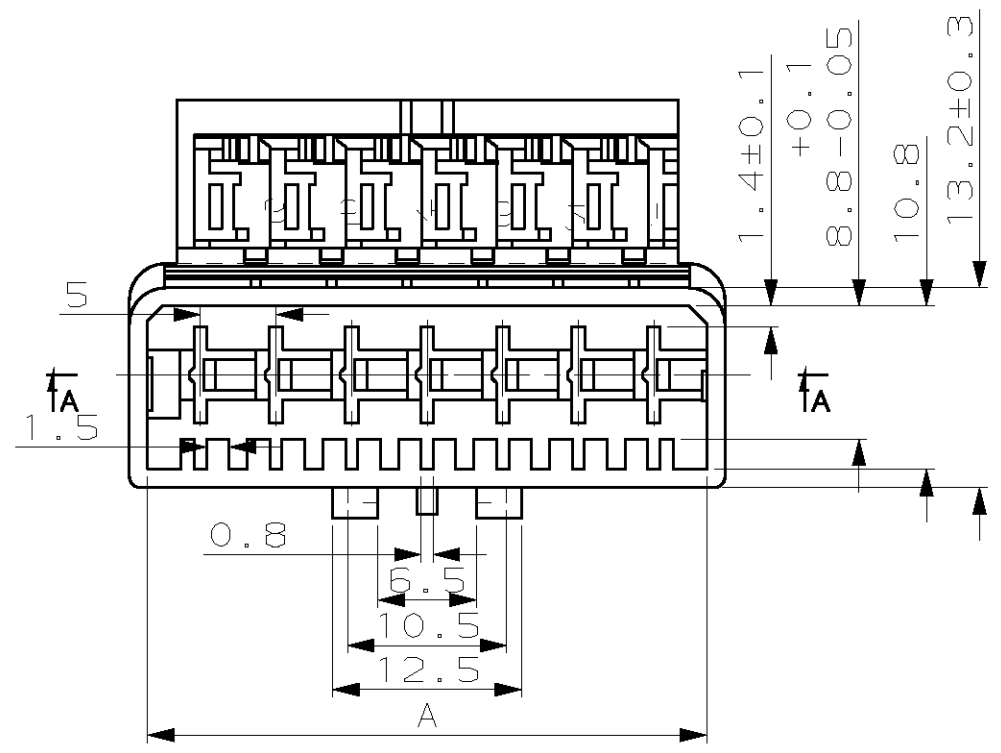
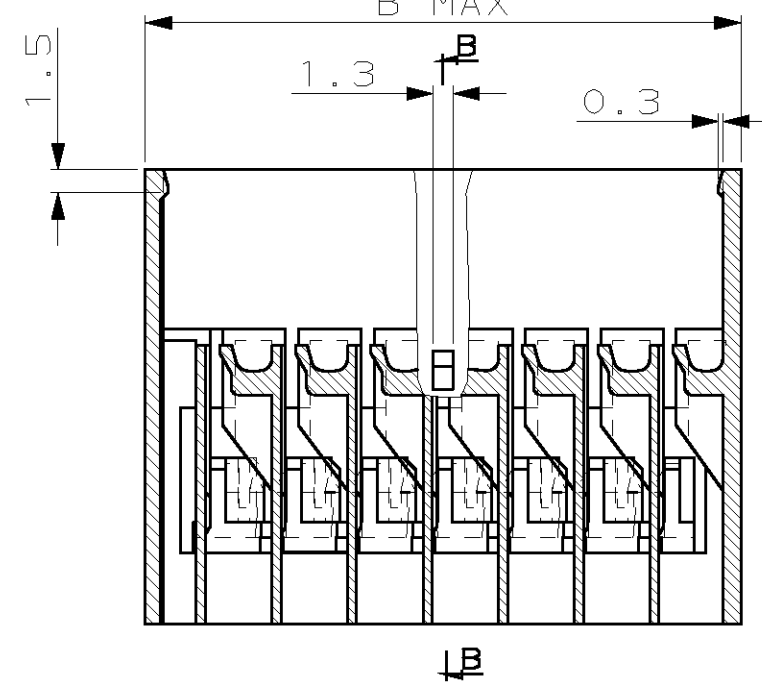
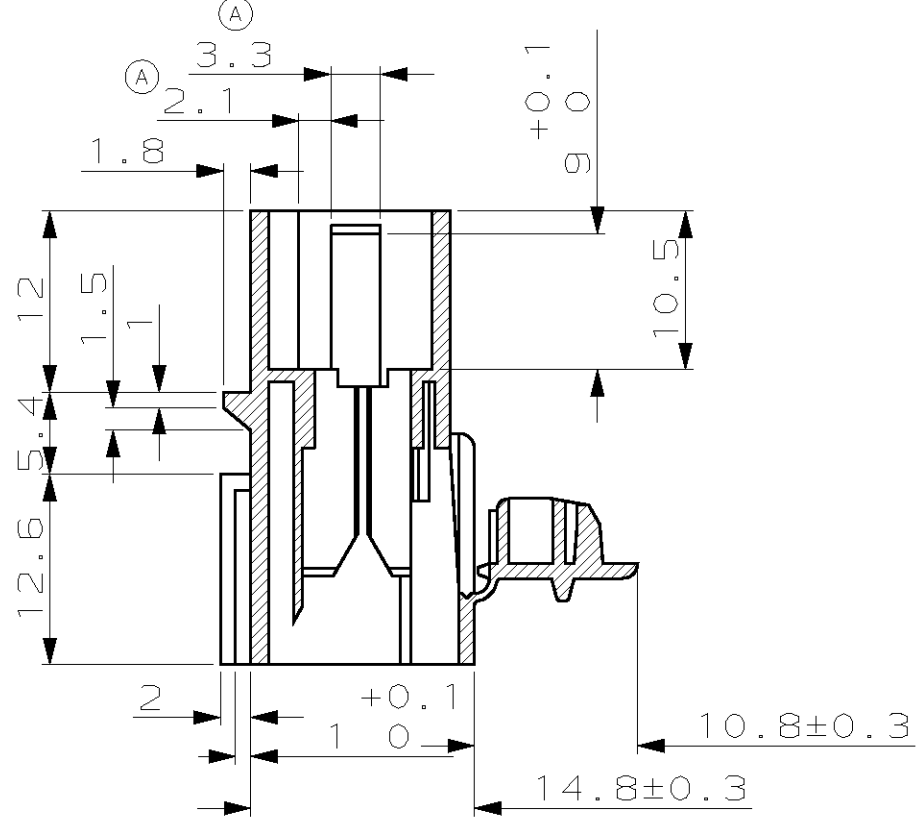


THIS DRAWING IS UNPUBLISHED. RELEASED FOR PUBLICATION ,19 .  
 © COPYRIGHT BY TYCO ELECTRONICS CORP. ALL RIGHTS RESERVED.

LOC		DIST		REVISIONS					
F		7		P	LTR	DESCRIPTION	DATE	DWN	APVD
				B		TABLE REFERENCES	12-JUN-02	RP	-

**COUPE B-B**

**COUPE A-A**



64.7	62	12	144837-2
59.7	57	11	144837-1
54.7	52	10	144836-0
49.7	47	9	144836-9
44.7	42	8	144836-8
39.7	37	7	144836-7
34.7	32	6	144836-6
29.7	27	5	144836-5
24.7	22	4	144836-4
B	A	Nb de VOIES (Nb of WAYS)	REFERENCES

THIS DRAWING IS A CONTROLLED DOCUMENT.		DWN	12-JUN-02	TYCO ELECTRONICS FRANCE SAS BP 39, 95301 CERGY-PONTOISE CEDEX	
DIMENSIONS: mm		CHK	12-JUN-02		
TOLERANCES UNLESS OTHERWISE SPECIFIED:		APVD	12-JUN-02		
0-PLC ± 1-PLC ±0.3 2-PLC ± 3-PLC ± 4-PLC ± ANGLES ±5°		NAME	Jean Jacques REVIL		
MATERIAL PA 6.6		FINISH	-	PRODUCT SPEC	-
		APPLICATION SPEC	-	SIZE	A3
		WEIGHT	-	CAGE CODE	00779
		CUSTOMER DRAWING		DRAWING NO	144836
		SCALE 2:1		RESTRICTED TO	-
		SHEET 1 OF 2		REV	B

C

B

A

	5-144836-4	BLUE (BLEU) 6-144836-4		5-144836-5	BLUE (BLEU) 6-144836-5
	7-144836-4	VIOLET		7-144836-5	VIOLET
	8-144836-4	GRAY (GRIS)		8-144836-5	GRAY (GRIS)
	9-144836-4	WHITE (BLANC)		9-144836-5	WHITE (BLANC)

7 POSITIONS		8 POSITIONS		9 POSITIONS		10 POSITIONS	
	BLACK (NOIR) 0-144836-7		BLACK (NOIR) 0-144836-8		BLACK (NOIR) 0-144836-9		BLACK (NOIR) 0-144836-0
	BROWN (MARRON) 1-144836-7		BROWN (MARRON) 1-144836-8		BROWN (MARRON) 1-144836-9		BROWN (MARRON) 1-144836-0
	RED (ROUGE) 2-144836-7		RED (ROUGE) 2-144836-8		RED (ROUGE) 2-144836-9		RED (ROUGE) 2-144836-0
	ORANGE 3-144836-7		ORANGE 3-144836-8		ORANGE 3-144836-9		ORANGE 3-144836-0
	YELLOW (JAUNE) 4-144836-7		YELLOW (JAUNE) 4-144836-8		YELLOW (JAUNE) 4-144836-9		YELLOW (JAUNE) 4-144836-0
	GREEN (VERT) 5-144836-7		GREEN (VERT) 5-144836-8		GREEN (VERT) 5-144836-9		GREEN (VERT) 5-144836-0
	BLUE (BLEU) 6-144836-7		BLUE (BLEU) 6-144836-8		BLUE (BLEU) 6-144836-9		BLUE (BLEU) 6-144836-0
	VIOLET 7-144836-7		VIOLET 7-144836-8		VIOLET 7-144836-9		VIOLET 7-144836-0
	GRAY (GRIS) 8-144836-7		GRAY (GRIS) 8-144836-8		GRAY (GRIS) 8-144836-9		GRAY (GRIS) 8-144836-0
	WHITE (BLANC) 9-144836-7		WHITE (BLANC) 9-144836-8		WHITE (BLANC) 9-144836-9		WHITE (BLANC) 9-144836-0

12 POSITIONS	
	BLACK (NOIR) 0-144837-2
	BROWN (MARRON) 1-144837-2
	RED (ROUGE) 2-144837-2
	ORANGE 3-144837-2
	YELLOW (JAUNE) 4-144837-2
	GREEN (VERT) 5-144837-2
	BLUE (BLEU) 6-144837-2
	VIOLET 7-144837-2
	GRAY (GRIS) 8-144837-2
	WHITE (BLANC) 9-144837-2

THIS DRAWING IS A CONTROLLED DOCUMENT	
DIMENSIONS: mm	TOLERANCES UNLESS OTHERWISE SPECIFIED
	0-PLC ± 1-PLC ±0.3 2-PLC ± 3-PLC ± 4-PLC ±
MATERIAL VOIR FEUILLE 1	ANGLES ±5 FINISH -