



Chipsmall Limited consists of a professional team with an average of over 10 year of expertise in the distribution of electronic components. Based in Hongkong, we have already established firm and mutual-benefit business relationships with customers from,Europe,America and south Asia,supplying obsolete and hard-to-find components to meet their specific needs.

With the principle of “Quality Parts,Customers Priority,Honest Operation,and Considerate Service”,our business mainly focus on the distribution of electronic components. Line cards we deal with include Microchip,ALPS,ROHM,Xilinx,Pulse,ON,Everlight and Freescale. Main products comprise IC,Modules,Potentiometer,IC Socket,Relay,Connector.Our parts cover such applications as commercial,industrial, and automotives areas.

We are looking forward to setting up business relationship with you and hope to provide you with the best service and solution. Let us make a better world for our industry!



Contact us

Tel: +86-755-8981 8866 Fax: +86-755-8427 6832

Email & Skype: info@chipsmall.com Web: www.chipsmall.com

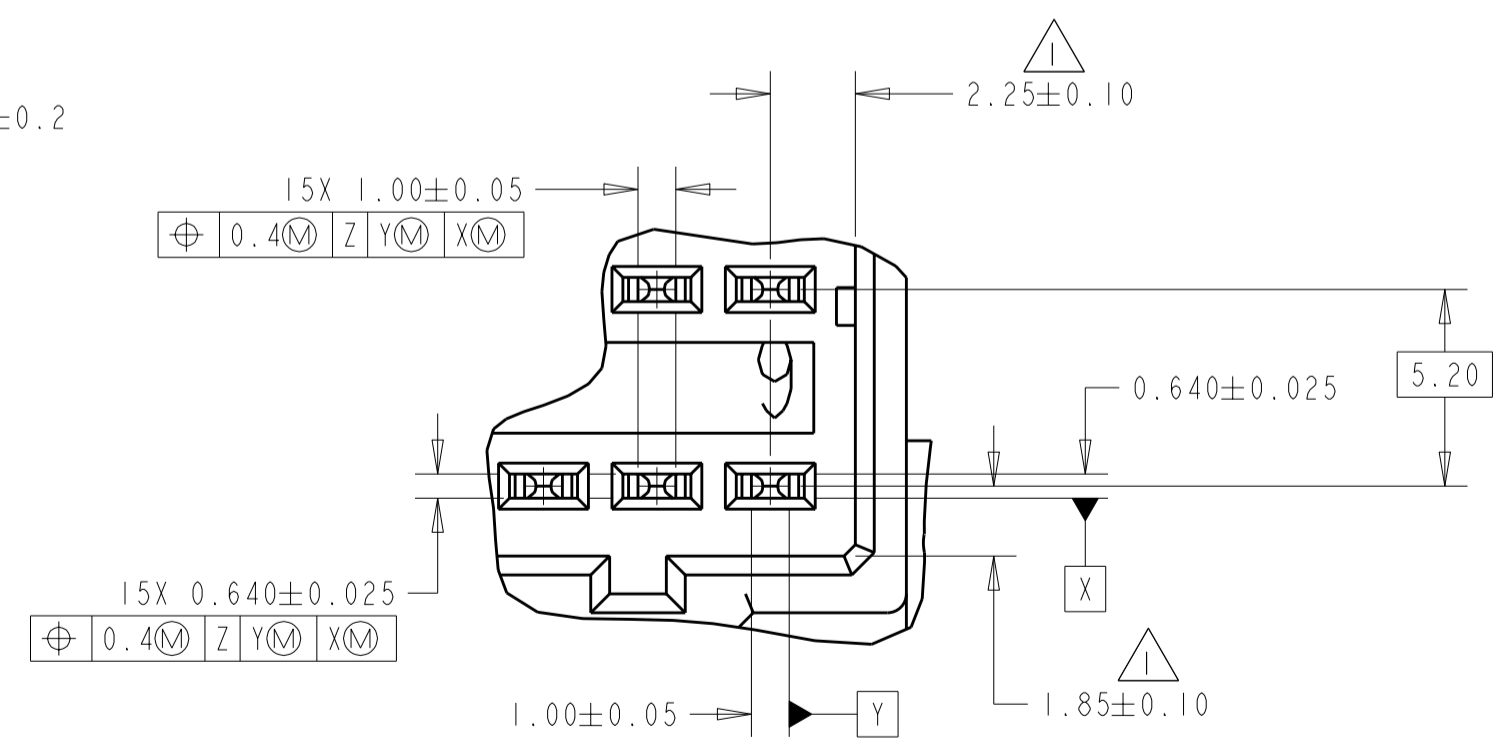
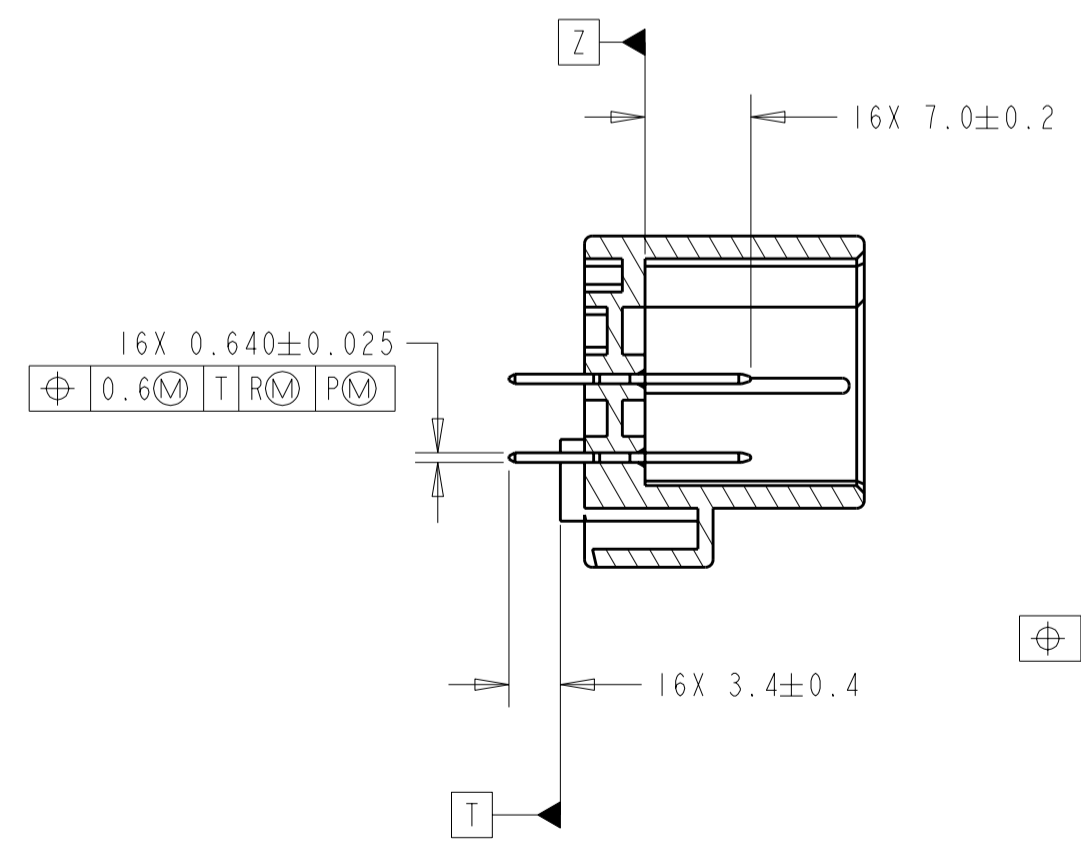
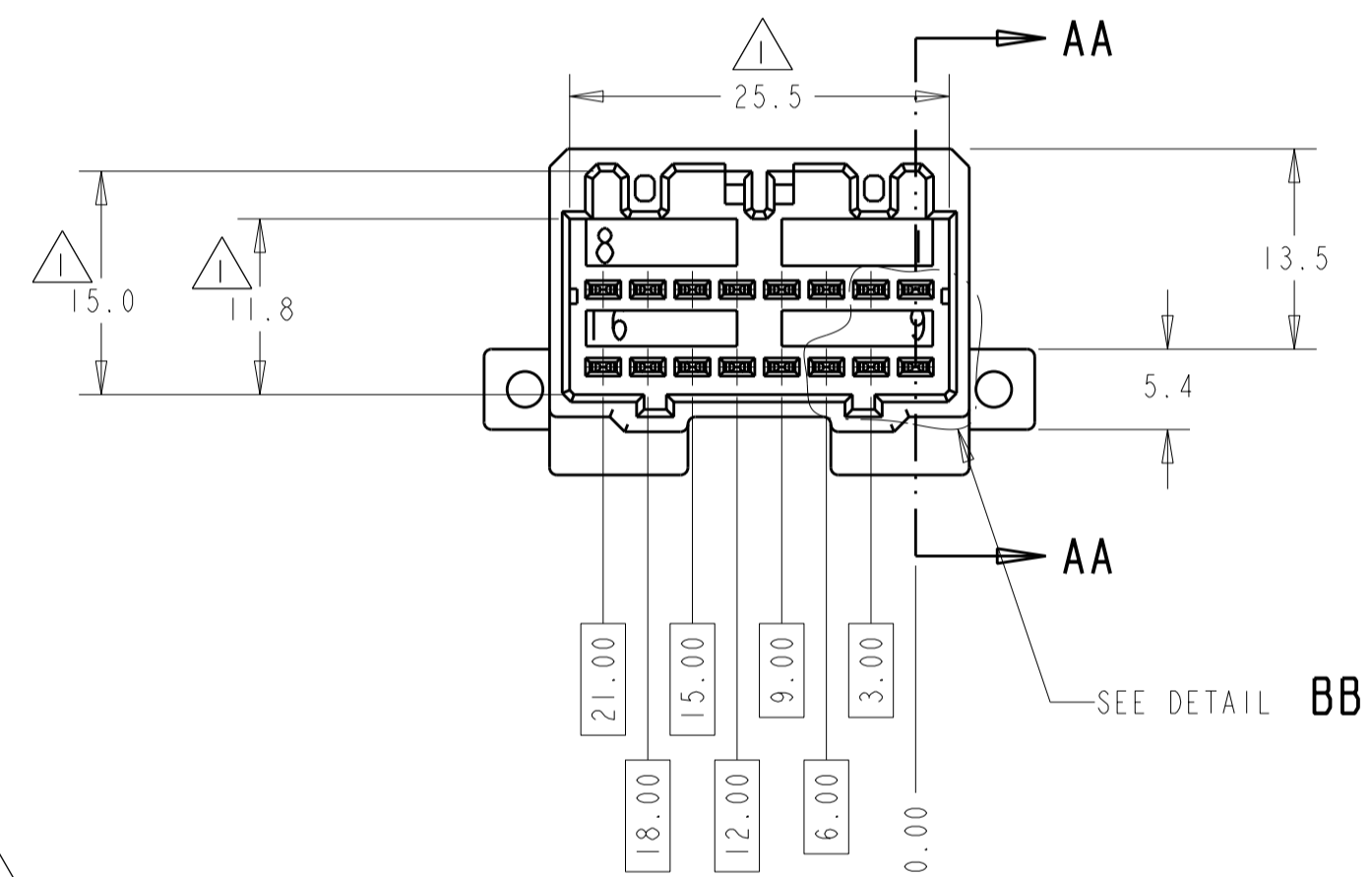
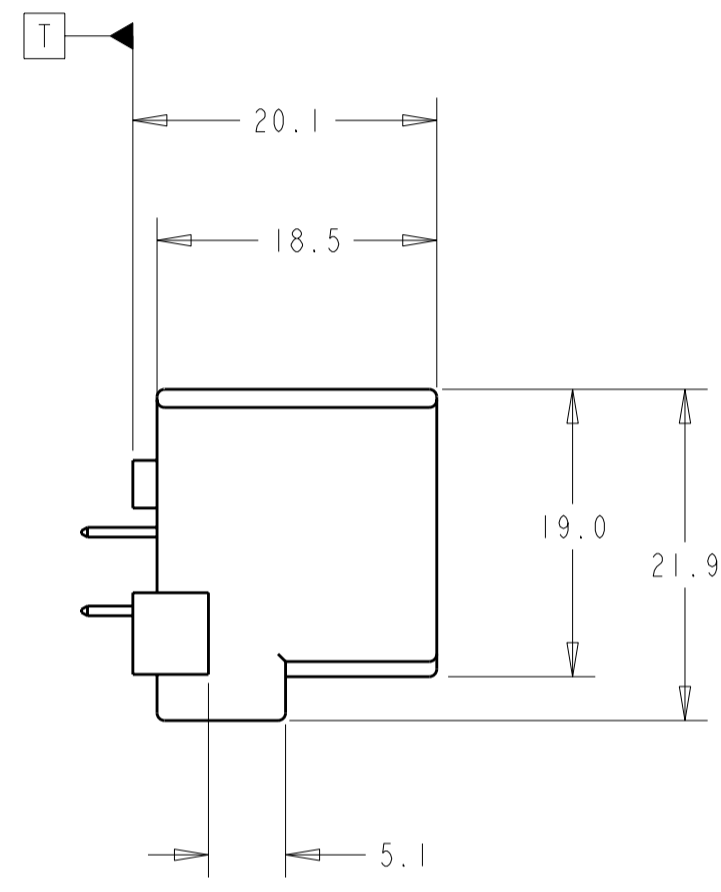
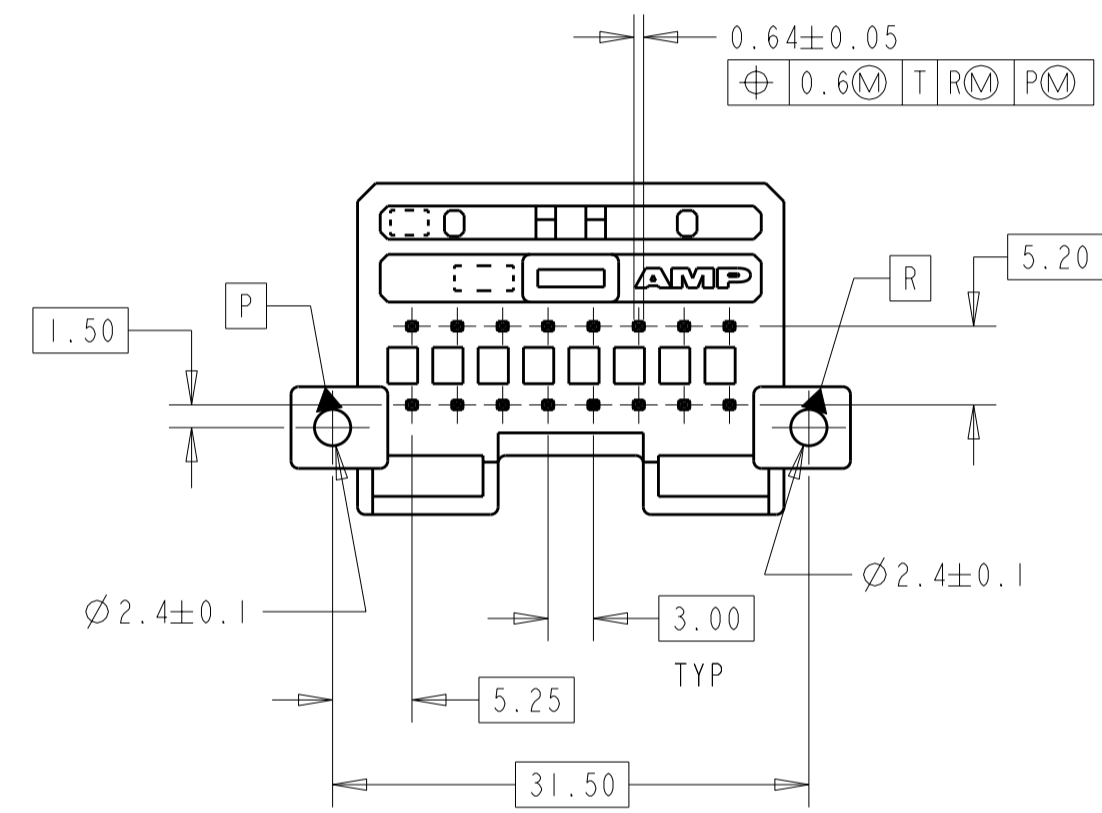
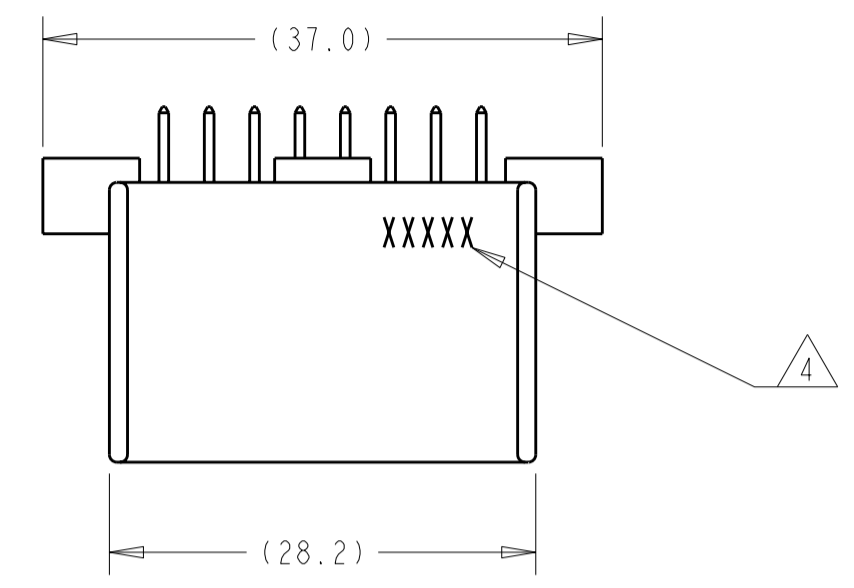
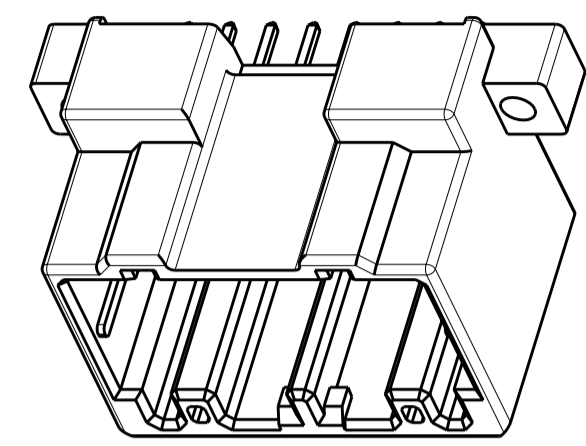
Address: A1208, Overseas Decoration Building, #122 Zhenhua RD., Futian, Shenzhen, China



THIS DRAWING IS UNPUBLISHED. RELEASED FOR PUBLICATION 20
 © COPYRIGHT 20 BY TYCO ELECTRONICS CORPORATION. ALL RIGHTS RESERVED.

| LOC | DIST | REVISIONS | | | |
|-----|------|-------------|----------------------------|-----------|-------|
| P | LTR | DESCRIPTION | DATE | DWN | APVD |
| FX | 00 | A | RELEASED PER ECO-08-005268 | 04MAR2008 | AH MS |

- 1 DIMENSION MUST BE HELD BETWEEN [Z] AND 2mm FROM [Z]
- 2 DATUMS AND BASIC DIMENSIONS ESTABLISHED BY CUSTOMER
- 3. THE MATING PLUG PART NUMBER IS 917981
- 4 DATE CODE
- 5. RECOMMENDED MOUNTING SCREW, 3mm DIA X 6mm LG, PAN HEAD, CLASS 2 TAPPING SCREW AS SPECIFIED IN JIS B1115 AND B1112. TIGHTENING TORQUE 4kg-cm MAX.

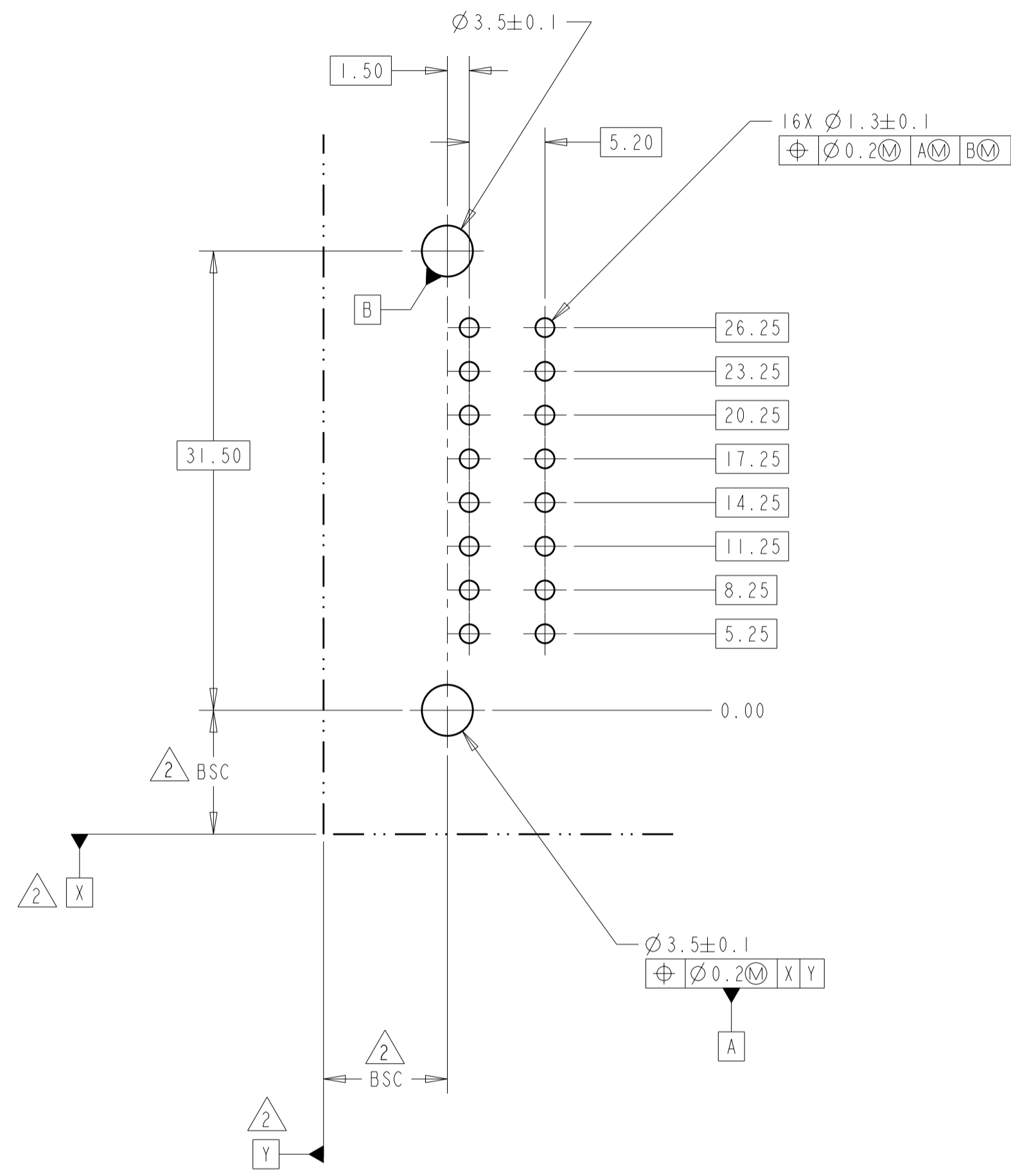


| | | | | |
|----------|--------|----------|---------|-------------|
| BRASS | TIN | PBT | BLACK | 9-1456610-2 |
| MATERIAL | FINISH | MATERIAL | COLOR | PART NO |
| CONTACT | | | HOUSING | |

| | | | | | |
|---|--|------------------|---------------|-----------|---|
| THIS DRAWING IS A CONTROLLED DOCUMENT FOR TYCO ELECTRONICS CORPORATION. IT IS SUBJECT TO CHANGE AND THE CONTROLLING ENGINEERING ORGANIZATION SHOULD BE CONTACTED FOR THE LATEST REVISION. | | DWN | R. VESTAL | 08FEB2008 | Tyco Electronics Harrisburg, PA 17105-3608 |
| DIMENSIONS: | | CHK | M. SCHANEWOLF | 08FEB2008 | |
| mm | | APVD | M. SCHANEWOLF | 08FEB2008 | |
| TOLERANCES UNLESS OTHERWISE SPECIFIED: | | PRODUCT SPEC | 108-5342 | | |
| 0 PLC ± | | APPLICATION SPEC | - | | |
| 1 PLC ±0.3 | | WEIGHT | 7.0g | | |
| 2 PLC ±0.15 | | SIZE | A2 | | |
| 3 PLC ± | | CAGE CODE | 00779 | | |
| 4 PLC ± | | DRAWING NO | C-1456610 | | |
| ANGLES ±° | | RESTRICTED TO | - | | |
| FINISH | | SCALE | 2:1 | | |
| SEE TABLE | | SHEET | 1 OF 2 | | |
| SEE TABLE | | REV | A | | |

THIS DRAWING IS UNPUBLISHED. RELEASED FOR PUBLICATION 20
 © COPYRIGHT 20 BY TYCO ELECTRONICS CORPORATION. ALL RIGHTS RESERVED.

| LOC | DIST | REVISIONS | | | | |
|-----|------|-------------|------|-----|------|--|
| P | LTR | DESCRIPTION | DATE | DWN | APVD | |
| | | SEE SHEET 1 | | | | |
| | | | | | | |
| | | | | | | |



P.C. BOARD LAYOUT

| | | | |
|--|---|--|--|
| <small>THIS DRAWING IS A CONTROLLED DOCUMENT FOR TYCO ELECTRONICS CORPORATION. IT IS SUBJECT TO CHANGE AND THE CONTROLLING ENGINEERING ORGANIZATION SHOULD BE CONTACTED FOR THE LATEST REVISION.</small> | | DWN R. VESTAL 08FEB2008 CHK M. SCHANEWOLF 08FEB2008 APVD M. SCHANEWOLF 08FEB2008 | Tyco Electronics Harrisburg, PA 17105-3608 |
| DIMENSIONS: mm | TOLERANCES UNLESS OTHERWISE SPECIFIED: 0 PLC ± 1 PLC ±0.3 2 PLC ±0.15 3 PLC ± 4 PLC ± ANGLES ±° FINISH | PRODUCT SPEC 108-5342 APPLICATION SPEC - WEIGHT 7.0g | NAME 16 POSITION, 040, VERTICAL, HYBRID, CAP ASSEMBLY, W/SCREW HOLES SIZE A2 CAGE CODE 00779 DRAWING NO. C-1456610 RESTRICTED TO - |
| MATERIAL SEE TABLE | SEE TABLE | CUSTOMER DRAWING | SCALE 2:1 SHEET 2 OF 2 REV A |