



Chipsmall Limited consists of a professional team with an average of over 10 year of expertise in the distribution of electronic components. Based in Hongkong, we have already established firm and mutual-benefit business relationships with customers from,Europe,America and south Asia,supplying obsolete and hard-to-find components to meet their specific needs.

With the principle of "Quality Parts,Customers Priority,Honest Operation,and Considerate Service",our business mainly focus on the distribution of electronic components. Line cards we deal with include Microchip,ALPS,ROHM,Xilinx,Pulse,ON,Everlight and Freescale. Main products comprise IC,Modules,Potentiometer,IC Socket,Relay,Connector.Our parts cover such applications as commercial,industrial, and automotives areas.

We are looking forward to setting up business relationship with you and hope to provide you with the best service and solution. Let us make a better world for our industry!



Contact us

Tel: +86-755-8981 8866 Fax: +86-755-8427 6832

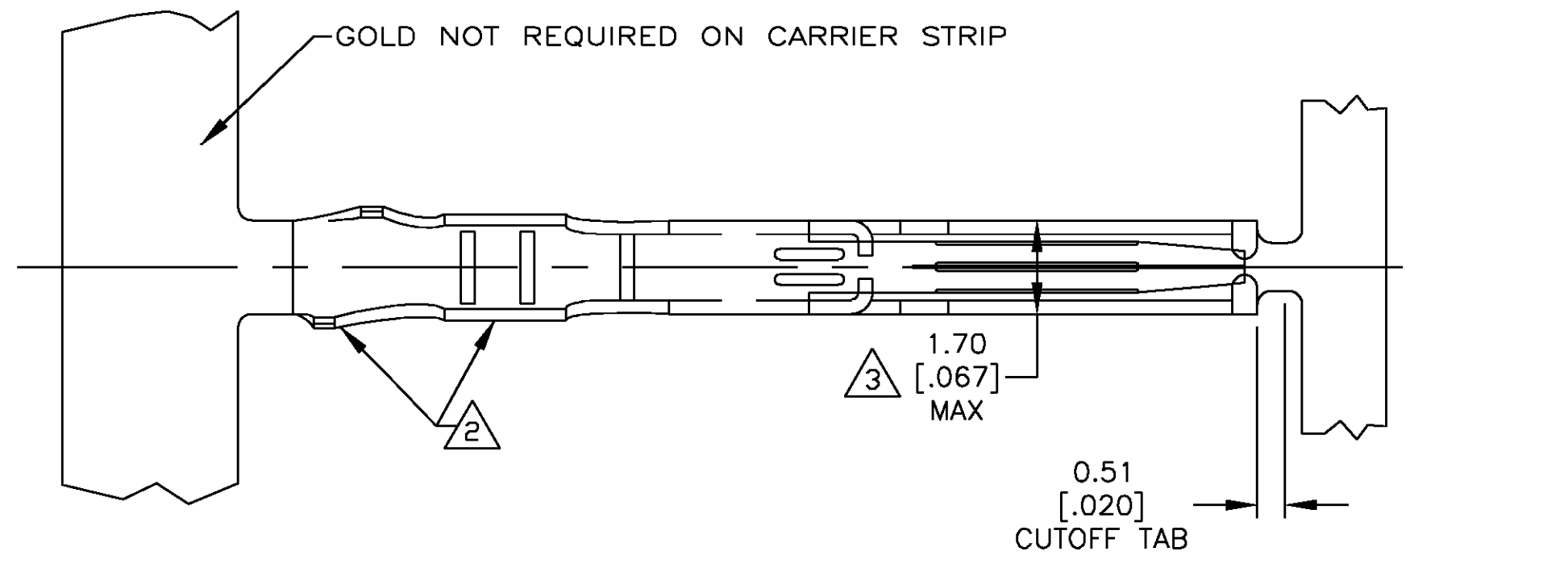
Email & Skype: info@chipsmall.com Web: www.chipsmall.com

Address: A1208, Overseas Decoration Building, #122 Zhenhua RD., Futian, Shenzhen, China

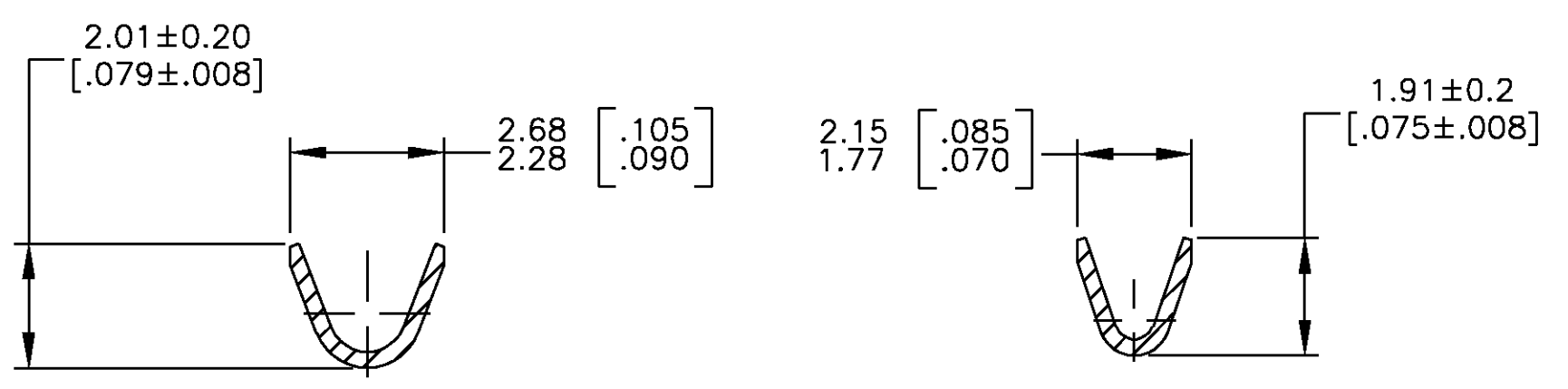
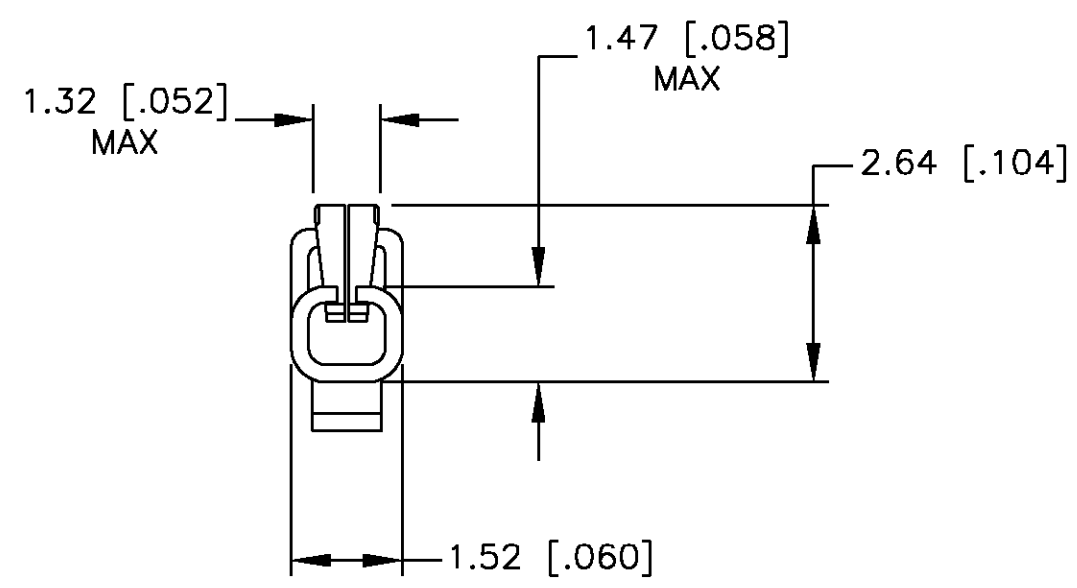
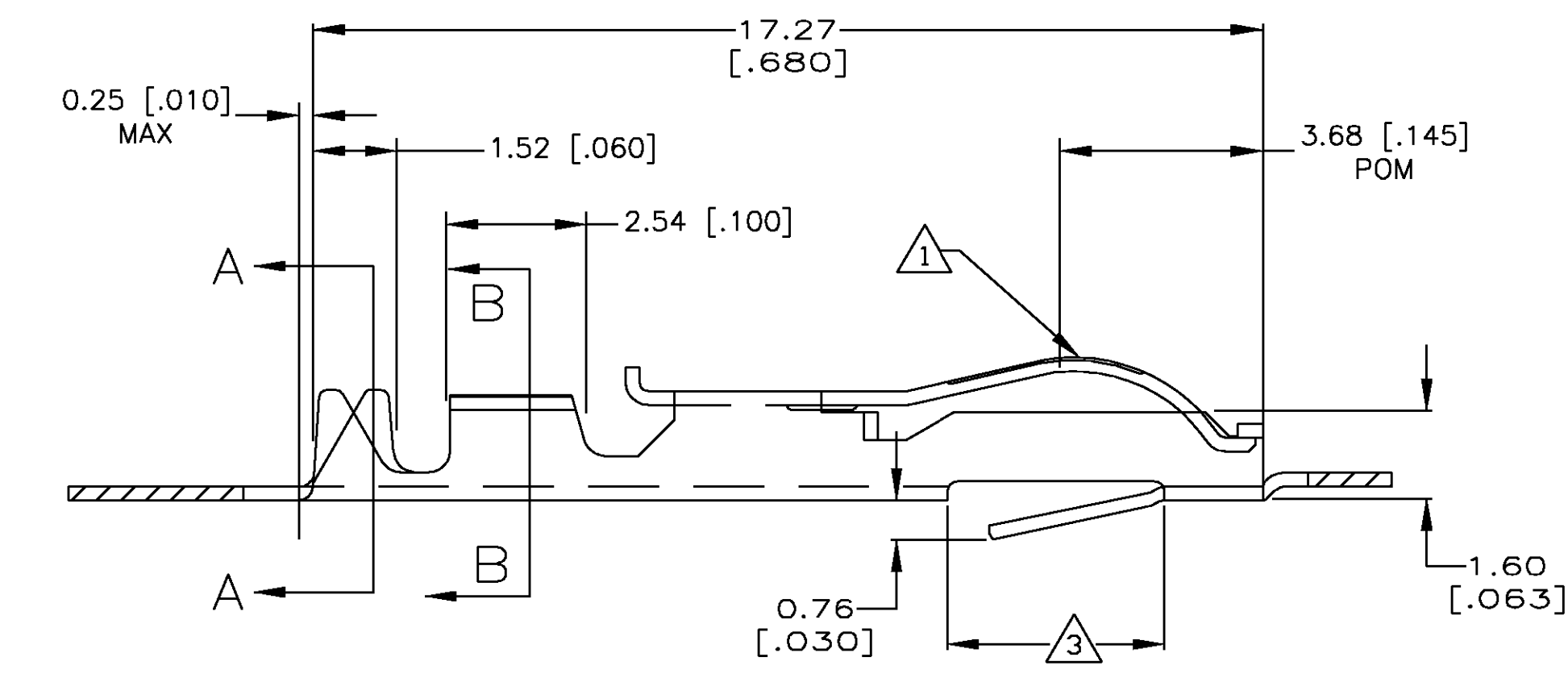


THIS DRAWING IS UNPUBLISHED.
 RELEASED FOR PUBLICATION
 © COPYRIGHT BY TYCO ELECTRONICS CORPORATION. ALL RIGHTS RESERVED.

LOC	DIST	REVISIONS			
P	LTR	DESCRIPTION	DATE	DWN	APVD
AD	00	A	REV PER OG3C-0321-00	31JUL00	BH MM



- 1 0.76 μ m [.000030] MIN GOLD OVER 0.76 μ m [.000030] MIN NICKEL IN CONTACT AREA.
- 2 TIN-LEAD IN CRIMP AREA.
- 3 .067 MAX ALLOWED IN LOCKING LANCE AREA.
- 4. REEL QUANTITY = 7000 PIECES.



SECTION A-A
 INSULATION RANGE
 .060-.048 DIA

SECTION B-B
 WIRE RANGE
 #20 AWG

147439-2
 PART NUMBER

THIS DRAWING IS A CONTROLLED DOCUMENT.		DWN R BROWN 31JUL00	AMP Tyco Electronics Corporation Harrisburg, PA 17105	
DIMENSIONS: INCHES		CHK M MILLER 14 JUN 00	NAME CONTACT, CRIMP-SNAP, 20 AWG, TWIN LEAF	
TOLERANCES UNLESS OTHERWISE SPECIFIED:		APVD M MILLER 14 JUN 00	APPLICATION SPEC	
0 PLC ± -		SIZE CAGE CODE DRAWING NO RESTRICTED TO		
1 PLC ± -		A2 00779 C-147439		
2 PLC ± 0.13 [.005]		SCALE 10:1 SHEET 1 OF 1 REV A		
3 PLC ± -		CUSTOMER DRAWING		
4 PLC ± -				
ANGLES ± -				
FINISH				
MATERIAL BERYLLIUM COPPER				

147439