



Chipsmall Limited consists of a professional team with an average of over 10 year of expertise in the distribution of electronic components. Based in Hongkong, we have already established firm and mutual-benefit business relationships with customers from,Europe,America and south Asia,supplying obsolete and hard-to-find components to meet their specific needs.

With the principle of “Quality Parts,Customers Priority,Honest Operation,and Considerate Service”,our business mainly focus on the distribution of electronic components. Line cards we deal with include Microchip,ALPS,ROHM,Xilinx,Pulse,ON,Everlight and Freescale. Main products comprise IC,Modules,Potentiometer,IC Socket,Relay,Connector.Our parts cover such applications as commercial,industrial, and automotives areas.

We are looking forward to setting up business relationship with you and hope to provide you with the best service and solution. Let us make a better world for our industry!



## Contact us

Tel: +86-755-8981 8866 Fax: +86-755-8427 6832

Email & Skype: info@chipsmall.com Web: www.chipsmall.com

Address: A1208, Overseas Decoration Building, #122 Zhenhua RD., Futian, Shenzhen, China



**PROPER USE GUIDELINES**

Cumulative Trauma Disorders can result from the prolonged use of manually powered hand tools. Hand tools are intended for occasional use and low volume applications. A wide selection of powered application equipment for extended-use, production operations is available.

DIE SET PART NUMBER	CONNECTOR TYPE	CABLE SIZES
9-1478246-0	N Type	RG 9, 58, 141, 213, 214 URM 43, 76, 91 Belden 9913, 9907 PSF 1/4M

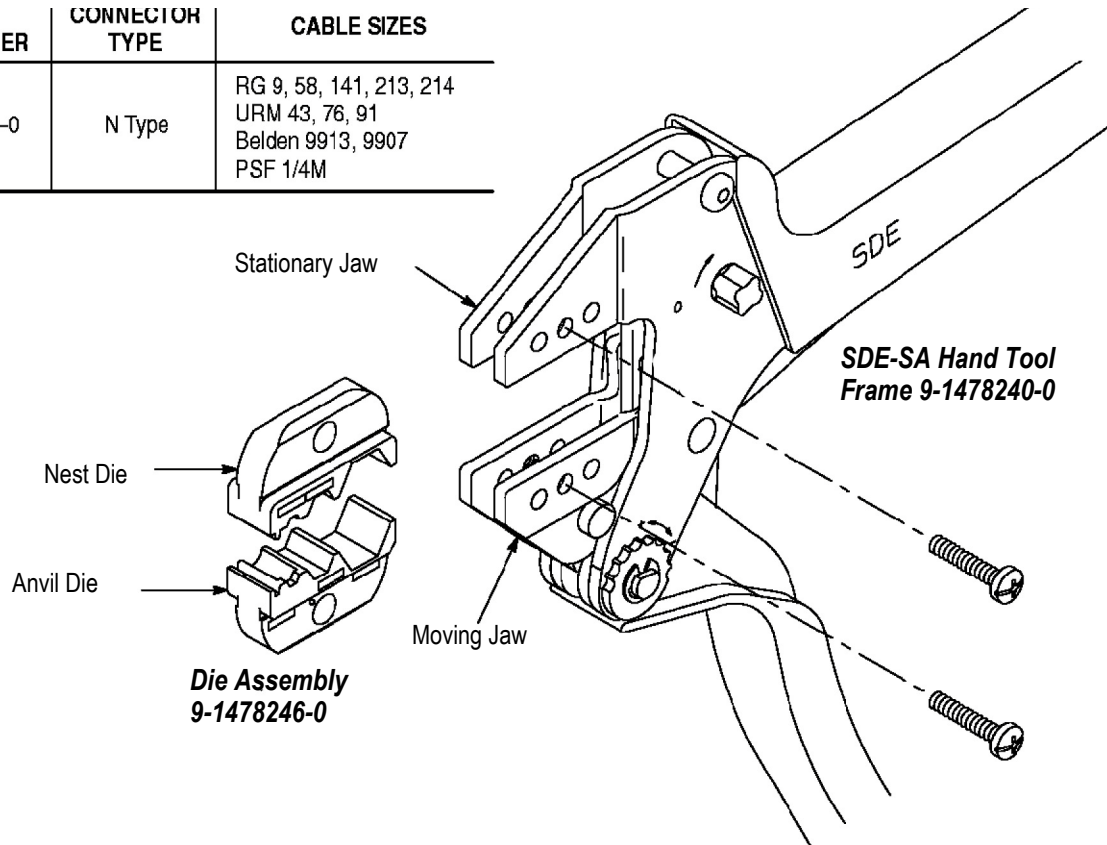


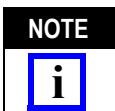
Figure 1

**1. INTRODUCTION**

This instruction sheet covers the use and maintenance of Hex Crimping Die 9-1478246-0 (in their various configurations - denoted by the dash number following the base part number), used in Hand Tool Frame 9-1478240-0. The die crimps plug connectors onto coaxial cable. See Figure 1 for a list of the cable sizes the die set can crimp.

This tool was designed primarily for GREENPAR connectors.

Reason for revision may be found in Section 8, REVISION SUMMARY.



*All dimensions are in millimeters [with inches in brackets].*

**2. DESCRIPTION**

Each die assembly consists of a nest die and an anvil die. When closed, the dies form three crimping chambers which crimp the center contact and ferrule of the connector onto the coaxial cable. Each die is held in the tool by a single screw.

**3. DIE INSTALLATION**

1. Close the tool handles until the ratchet releases and then allow them to open fully.
2. See Figure 1 for normal orientation of the dies. Insert the dies inside the tool jaws and align the retaining screw holes.
3. Thread the retaining screws into the holes and carefully close the tool handles. Tighten the screws with the appropriate hex wrench

*GREENPAR is a trademark of GREENPAR Limited Company. Essex, England*

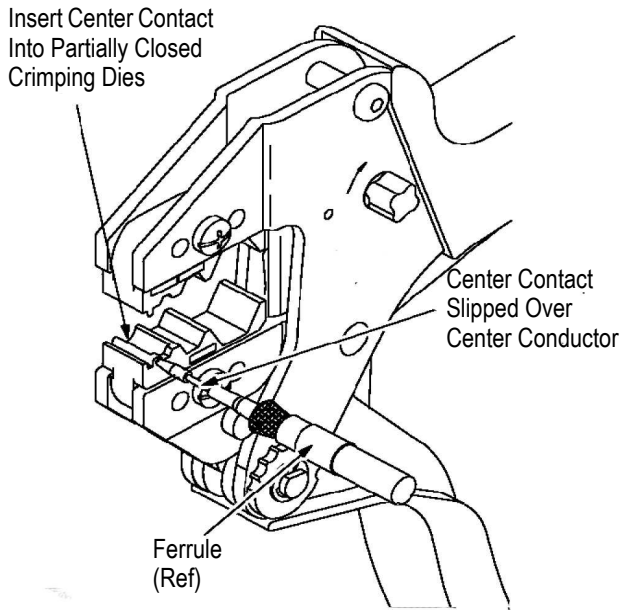


Figure 2

## 4. CRIMPING PROCEDURE

### 4.1. Center Contact

1. Prepare the connector and the cable according to the instructions packaged with the connector.
2. Slide the center contact onto the center conductor of the cable; then insert the contact assembly into the center contact crimp section of the die. See figure 3.

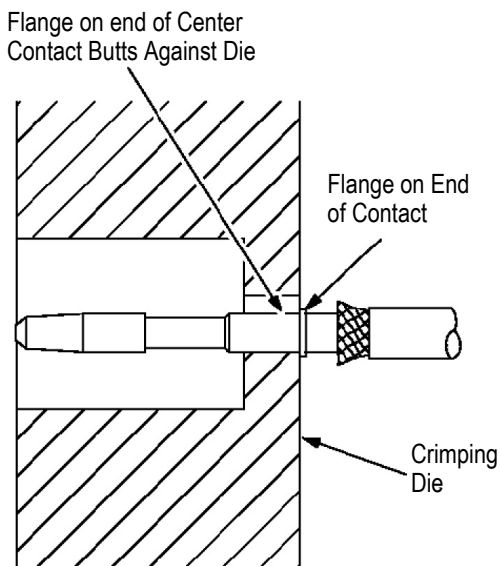


Figure 3



**NOTE** Make sure that the flange on the end of the center contact butts against the crimping die. See Figure 3.

3. Crimp the center contact by holding the cable in place; then close the tool handles until the ratchet releases.

### 4.2. Ferrule

1. Insert the crimped center contact into the connector body until the cable dielectric butts against the dielectric inside of the connector body. The flared braid will then fit around the support sleeve of the connector body.
2. Slide the ferrule forward over the braid until the ferrule butts against the shoulder on the connector body.
3. Place the ferrule on the anvil of the die assembly so that the shoulder on the connector body is butted against the die. See Figure 4.

### Crimping Ferrule

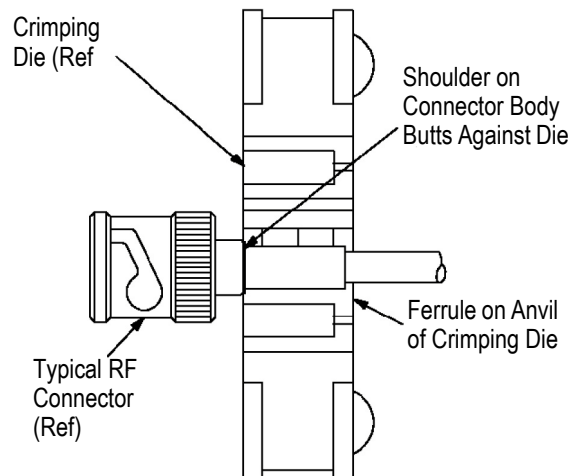


Figure 4

4. Holding the assembly in place, close the tool handles until the ratchet releases.

## 5. INSPECTION

### 5.1. Visual Inspection

Inspection of the crimping dies should be made on a regular basis to ensure that they have not become worn or damaged. Inspect the crimp sections for flattened, chipped, worn, or broken areas. If damage or abnormal wear is evident, the dies must be replaced. Refer to Section 7, PARTS REPLACEMENT.

### 5.2. Measuring Die Opening

The die assembly will perform correctly as long as:

- the product specified is correct for the application,
- the specific die assembly is used,
- the die assembly has been measured to ensure that the openings are correct, and

- the tool has been adjusted correctly.

Figure 5 provides information on die opening sizes.

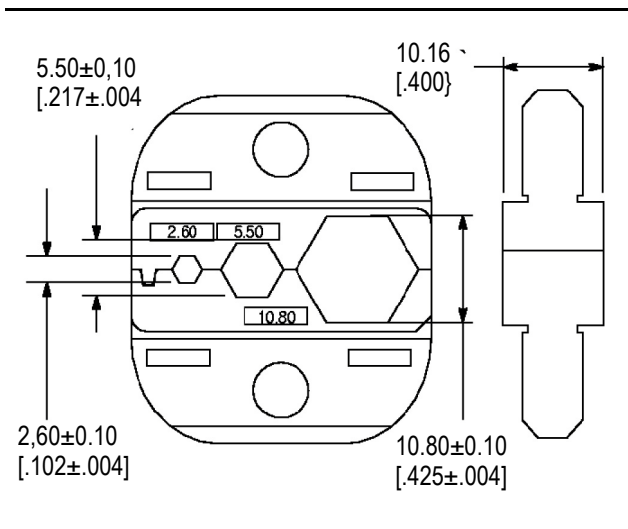


Figure 5

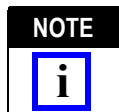
### 5.3. Ratchet Adjustment

The tool frame assembly ratchet mechanism features an adjustment wheel with nine settings. The adjustment wheel controls the amount of handle pressure exerted on the tool jaws and crimping dies during crimping. If the crimp is not acceptable, adjust the ratchet as follows:

1. Remove the screw at the ratchet adjustment wheel so that the wheel can be rotated.
2. If the crimp is too loose, turn the wheel to a higher notch. If the crimp is too tight, move the wheel to a lower notch.

3. Replace and tighten the screw at the ratchet adjustment wheel.

If the crimp cannot be made to conform to the dimensions provided in the appropriate product application specification, the tool and/or dies are defective and must be replaced.



**NOTE** Other dies that crimp GREENPAR connectors series may be used in this tool; however, the ratchet adjustment wheel may require adjustment to achieve acceptable crimp height.

### 6. DAMAGED CONTACTS AND FERRULES



**CAUTION** Damaged contacts or ferrules may NOT be used. If a center contact or ferrule is damaged during the crimping operation, it must be replaced with a new one.

### 7. PARTS REPLACEMENT

If the dies are damaged or worn excessively, they must be replaced. Order replacement dies through your TE representative, or call 1-800-526-5142, or send a facsimile of your purchase order to 1-717-986-7605, or write to:

CUSTOMER SERVICE (038-035)  
 TYCO ELECTRONICS CORPORATION  
 PO BOX 3608  
 HARRISBURG PA 17105-3608

### 8. REVISION SUMMARY

Since the previous release the TE logo has been applied.