



Chipsmall Limited consists of a professional team with an average of over 10 year of expertise in the distribution of electronic components. Based in Hongkong, we have already established firm and mutual-benefit business relationships with customers from,Europe,America and south Asia,supplying obsolete and hard-to-find components to meet their specific needs.

With the principle of “Quality Parts,Customers Priority,Honest Operation,and Considerate Service”,our business mainly focus on the distribution of electronic components. Line cards we deal with include Microchip,ALPS,ROHM,Xilinx,Pulse,ON,Everlight and Freescale. Main products comprise IC,Modules,Potentiometer,IC Socket,Relay,Connector.Our parts cover such applications as commercial,industrial, and automotives areas.

We are looking forward to setting up business relationship with you and hope to provide you with the best service and solution. Let us make a better world for our industry!



Contact us

Tel: +86-755-8981 8866 Fax: +86-755-8427 6832

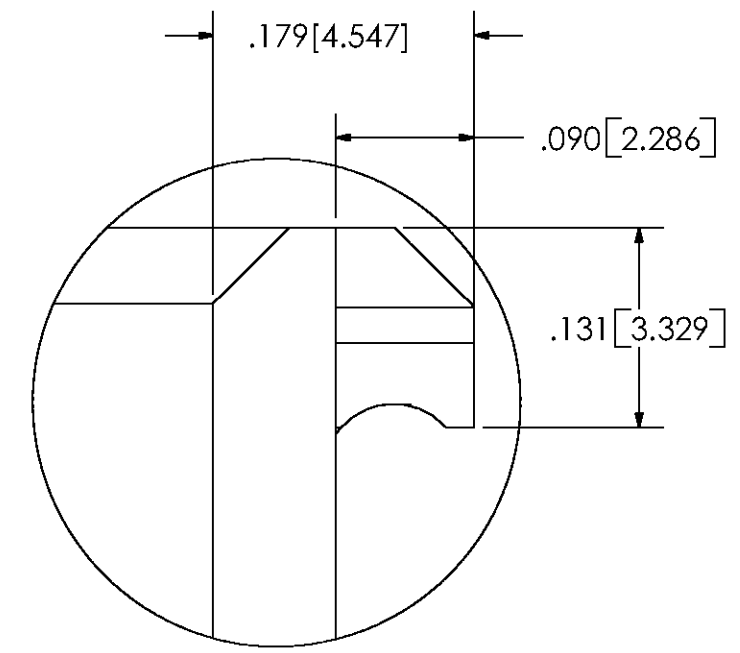
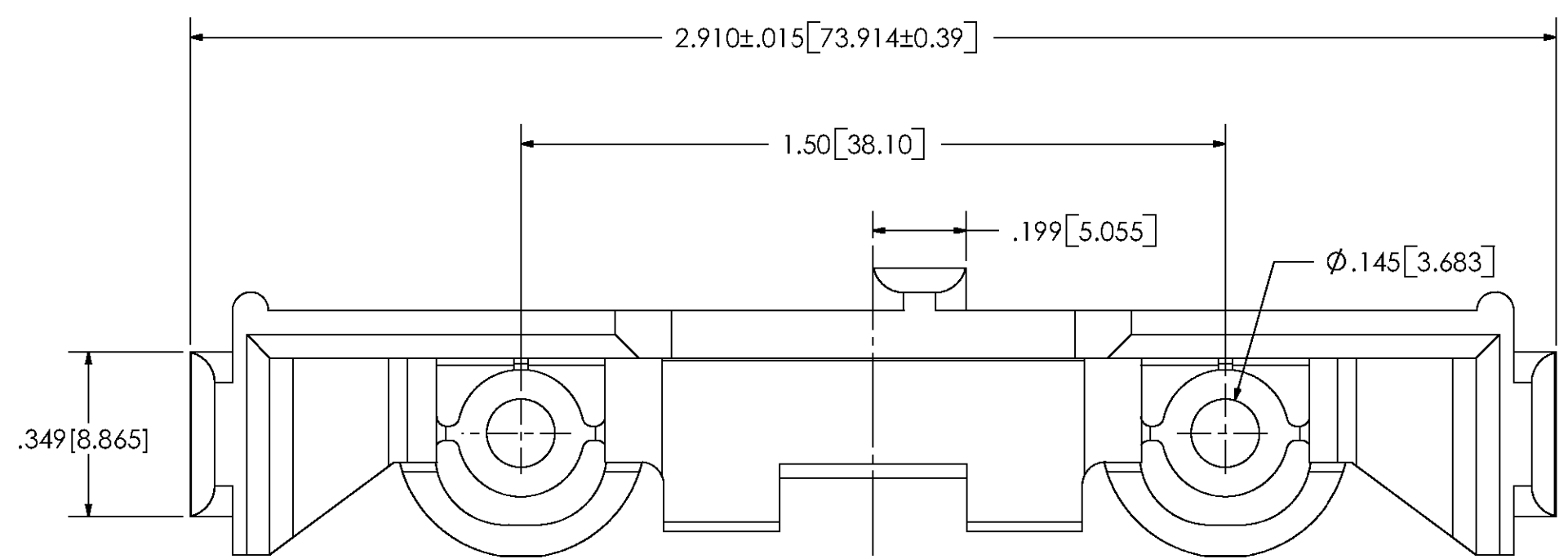
Email & Skype: info@chipsmall.com Web: www.chipsmall.com

Address: A1208, Overseas Decoration Building, #122 Zhenhua RD., Futian, Shenzhen, China

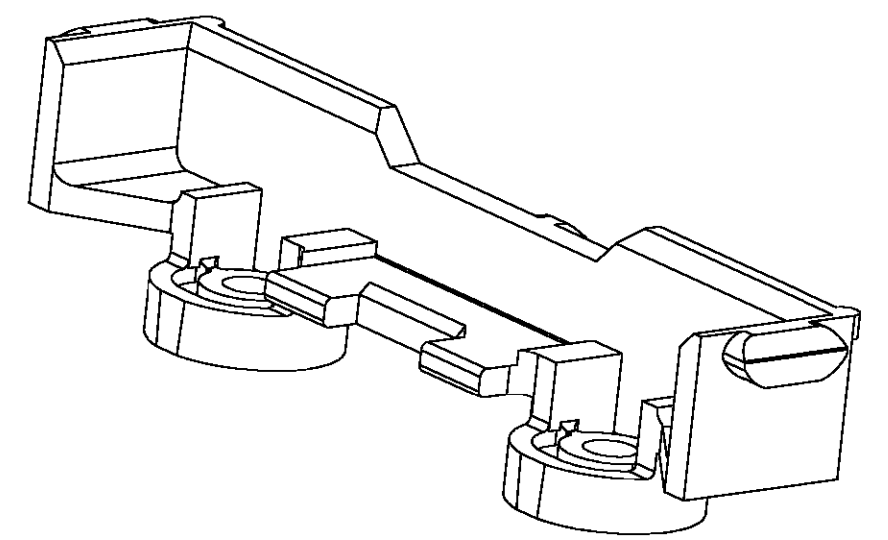


8 7 6 5 4 3 2 1

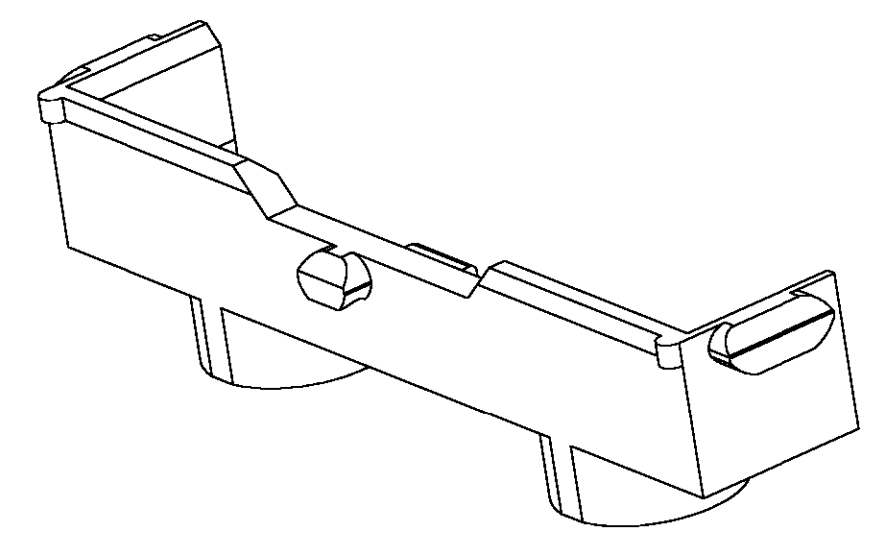
F
E
D
C
B
A



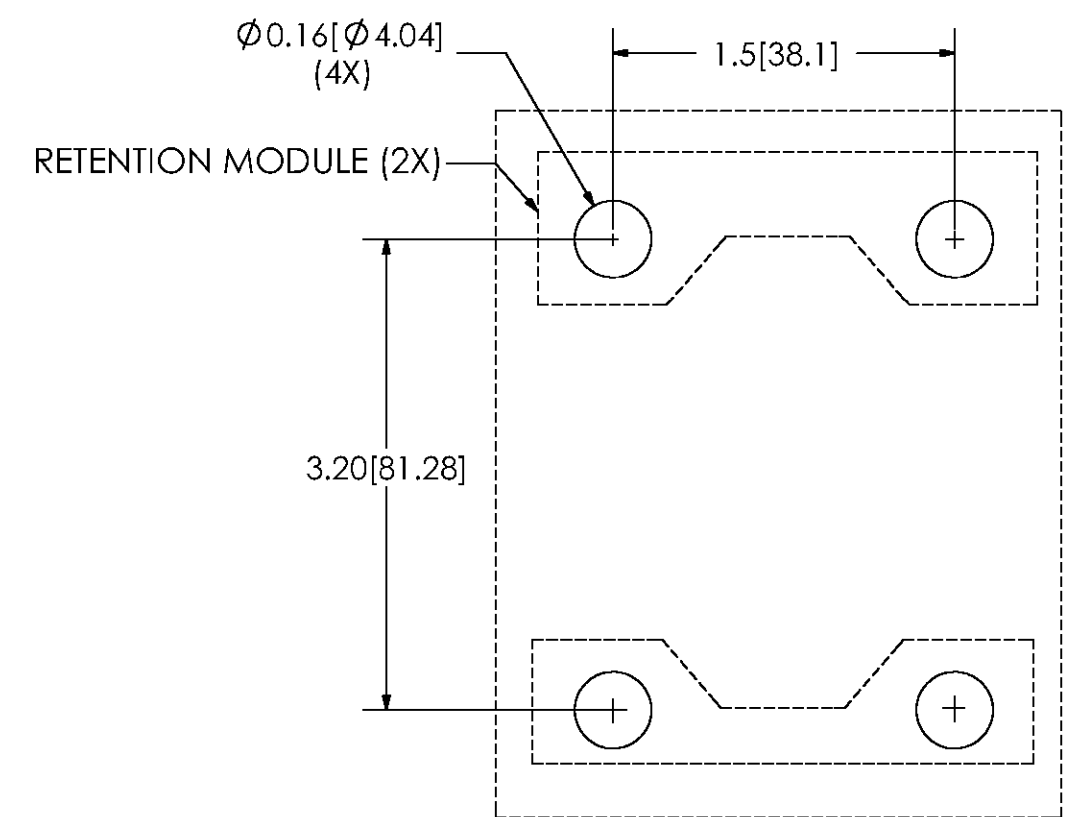
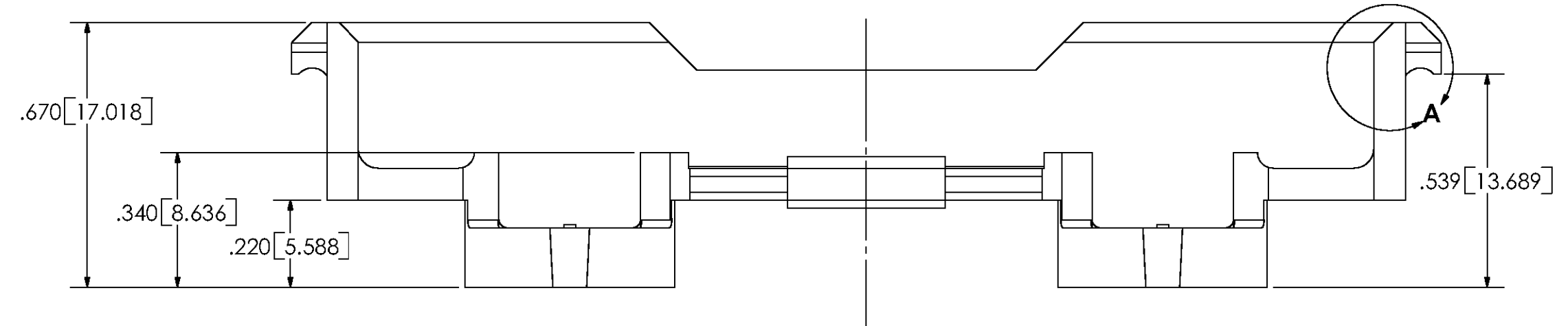
**DETAIL A
SCALE= 8X**



SCALE= 2X



SCALE= 2X



**PCB LAYOUT
REFERENCE DIMENSIONS FROM INTEL®
DESIGN GUIDE**

NOTES:

- 1.) 2 RETENTION MODULES REQUIRED PER HEAT SINK.
- 2.) RETENTION MODULE USED WITH XEON PROCESSOR HEAT SINKS.
- 3.) QUICK RELEASE CLIP AVAILABLE FOR FLIP CHIP P/N: 9-1542007-7.

CUSTOMER DRAWING

SPECIFICATIONS ARE SUBJECT TO CHANGE WITHOUT NOTICE

REV.	REVISION INFO
A	RELEASE 0360-0045-03 E.TAO 04/09/03 APP'D: S.G 04/09/03
B	RELEASE 0360-0127-03 E.TAO 10/02/03 APP'D: A.M 10/02/03
C	RELEASE 0360-0061-03 E.TAO 03/11/04 APP'D: B.P 03/15/04
D	REVISED 0360-0214-04 E.TAO 8/23/04 APP'D: S.D 9/2/04

DO NOT SCALE	tyco / Electronics Attleboro Falls Massachusetts 02763																
	UNLESS OTHERWISE SPECIFIED TOLERANCES ARE:																
	<table border="0"> <tr> <td>X ± .010</td> <td>DRAWN BY: E.TAO</td> <td>DATE: 03/07/03</td> </tr> <tr> <td>.XX ± .005</td> <td>ENGINEER: S.G</td> <td>DATE: 03/07/03</td> </tr> <tr> <td>XXX ± .005</td> <td>FILENAME: 9-1542007-5</td> <td>PROJECT: -</td> </tr> <tr> <td>FRACTIONS = ±</td> <td>SYSTEM: SolidWorks</td> <td></td> </tr> <tr> <td>ANGLES ±1*</td> <td></td> <td></td> </tr> </table>	X ± .010	DRAWN BY: E.TAO	DATE: 03/07/03	.XX ± .005	ENGINEER: S.G	DATE: 03/07/03	XXX ± .005	FILENAME: 9-1542007-5	PROJECT: -	FRACTIONS = ±	SYSTEM: SolidWorks		ANGLES ±1*			
	X ± .010	DRAWN BY: E.TAO	DATE: 03/07/03														
.XX ± .005	ENGINEER: S.G	DATE: 03/07/03															
XXX ± .005	FILENAME: 9-1542007-5	PROJECT: -															
FRACTIONS = ±	SYSTEM: SolidWorks																
ANGLES ±1*																	
MATERIAL: LEXAN (BLACK) FLAMMABILITY: UL 94V-0	FINISH: -																

CONFIDENTIAL PROPERTY OF TYCO ELECTRONICS. NOT TO BE DISCLOSED TO OTHERS. REPRODUCED OR USED FOR ANY PURPOSES EXCEPT AS AUTHORIZED IN WRITING BY AN AUTHORIZED OFFICIAL OF TYCO. MUST BE RETURNED TO TYCO ON DEMAND, ON COMPLETION OF ORDERS OR OTHER PURPOSES FOR WHICH LENT.		TITLE: RETENTION MODULE FOR XEON PROCESSOR	
DIMENSIONS ARE IN: INCHES [MM]	SCALE: 3:1	TYCO PART NO: 9-1542007-5	SHEET 1 OF 1
TNRD ANGLE PROJECTION	SIZE C	DWG. NO. C-9-1542007-5	REV D

8 7 6 5 4 3 2 1