



Chipsmall Limited consists of a professional team with an average of over 10 year of expertise in the distribution of electronic components. Based in Hongkong, we have already established firm and mutual-benefit business relationships with customers from,Europe,America and south Asia,supplying obsolete and hard-to-find components to meet their specific needs.

With the principle of “Quality Parts,Customers Priority,Honest Operation,and Considerate Service”,our business mainly focus on the distribution of electronic components. Line cards we deal with include Microchip,ALPS,ROHM,Xilinx,Pulse,ON,Everlight and Freescale. Main products comprise IC,Modules,Potentiometer,IC Socket,Relay,Connector.Our parts cover such applications as commercial,industrial, and automotives areas.

We are looking forward to setting up business relationship with you and hope to provide you with the best service and solution. Let us make a better world for our industry!



Contact us

Tel: +86-755-8981 8866 Fax: +86-755-8427 6832

Email & Skype: info@chipsmall.com Web: www.chipsmall.com

Address: A1208, Overseas Decoration Building, #122 Zhenhua RD., Futian, Shenzhen, China



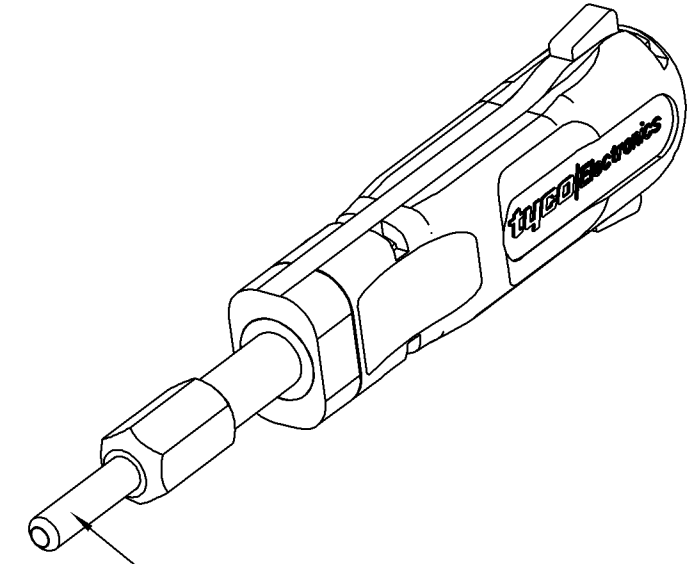
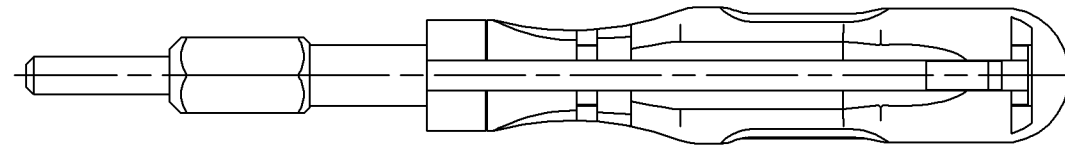
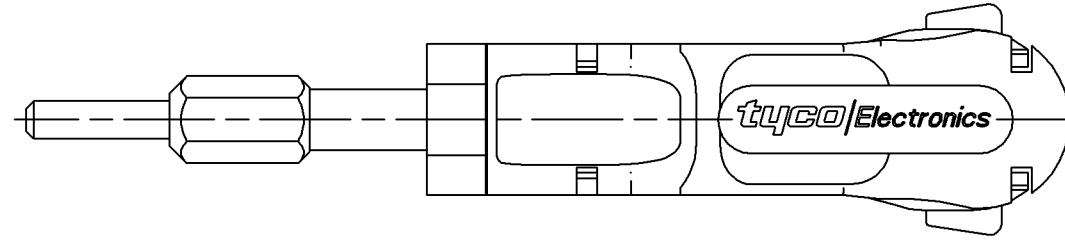
C-9-1579007-6	PASSMASS	ABMASS

PROJECT NO. : USED DN

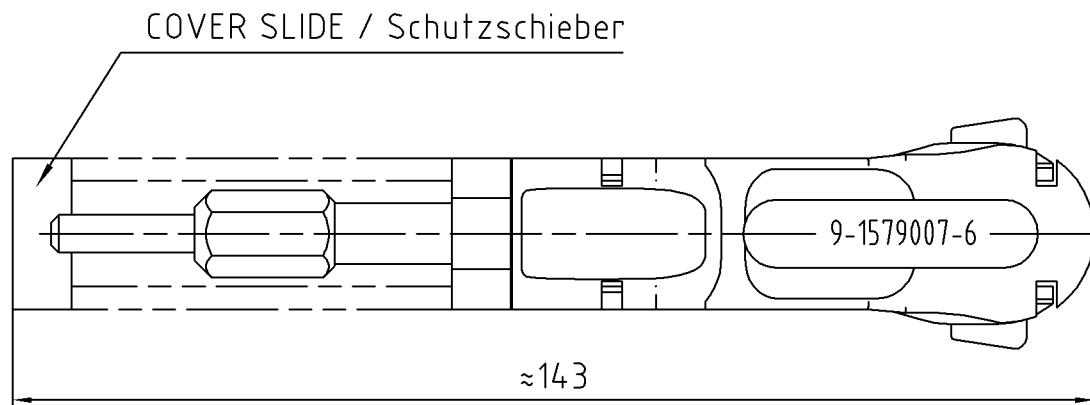
THIS DRAWING IS A CONTROLLED DOCUMENT FOR THE COMPANY AND THE CONTROLLING ENGINEERING ORGANIZATION. ANY CHANGES TO THIS DRAWING SHOULD BE CONTACTED FOR THE LATEST REVISION.

DIESES ZEICHNUNGSDOKUMENT WIRD DURCH AMP INCORPORATED KONTROLLIERT. ÄNDERUNGEN, DIE DER TECHNISCHEN FORTSCHRITTLICHEN SIND VORBEHALTEN. DEN JEWEILS LETZTBESTEHENDEN ÄNDERUNGSSTAND ERFAHREN SIE AUF ANFRAGE.

THIS INFORMATION IS CONFIDENTIAL AND IS DISCLOSED TO YOU BY YOU TO OTHER THAN AMP PERSONNEL WITHOUT AUTHORIZATION FROM AMP INCORPORATED, D - 64625 BENSHEIM



EXTRACTION TUBE / Entriegelungsrohr PN9-1579007-8



CONTACT / Kontakt: 926884 UNML-Socket
 HOUSING / Gehäuse: CAVITY-dia. / Kammer- ϕ 5,0mm

FREI-MASSTOLERANZEN NACH DIN 7168 (WERTE IN mm)
 1) ABWEICHEND VON DIN 7168 2) LÄNGE DES KÜRZEREN SCHENKELS

NENNMASS-BEREICH 1)	OBER	0,5	3	6	30	120	400
	BIS	3	6	30	120	400	1000
LÄNGEN-MASS	FEIN	±0,05	±0,05	±0,1	±0,15	±0,2	±0,3
MASSE	MITTEL	±0,1	±0,1	±0,2	±0,3	±0,5	±0,8
RADIEN U. FASEN		±0,2	±0,5	±1	±2	±4	±4
WINKELABMASSE 1) 2)		±1°	±1°	±30'	±20'	±10'	±5'

GENERAL TOLERANCES ACC. TO DIN 7168 (VALUES IN mm)
 1) DEVIATING FROM DIN 7168 2) LENGTH OF SHORT ANGLE SIDE

LOD	AI	DIST																								
TEIL IM BEREICH X... MIT PN/STRICH-NR. (<-1 WIE GEZ.), REVISION-STAND UND LIEFERANTENSYMBOL GEKENNZEICHNET																										
PART TO BE MARKED WITH PN/DASH NO. (<-1 AS SHOWN), REV. STATUS AND VENDORS MARK IN AREA X...																										
<table border="1"> <tr> <th colspan="5">OBERFLÄCHENVERGLEICHSTABELLE</th> <th rowspan="2">BOHRG. SHAW ANGABE</th> </tr> <tr> <td>DIN3141R3</td> <td></td> <td>∇</td> <td>∇</td> <td>∇</td> </tr> <tr> <td>R_a in μm</td> <td>6,3</td> <td>1,6</td> <td>0,4</td> <td>0,1</td> <td>12,5</td> </tr> </table>		OBERFLÄCHENVERGLEICHSTABELLE					BOHRG. SHAW ANGABE	DIN3141R3		∇	∇	∇	R _a in μ m	6,3	1,6	0,4	0,1	12,5								
OBERFLÄCHENVERGLEICHSTABELLE					BOHRG. SHAW ANGABE																					
DIN3141R3		∇	∇	∇																						
R _a in μ m	6,3	1,6	0,4	0,1	12,5																					
ALLE UNBEMASSTE KANTEN 0,2x45° ENTGRÄTET REMOVE BURRS, BREAK SHARP EDGES 0,2x45°																										

FINISH	DWN	25.05.2005	MATERIAL	HEAT TREAT
DIMENSIONS: mm	M. Delp	25.05.2005		
TOLERANCES UNLESS OTHERWISE SPECIFIED: n. ISO 8015 n. ISO 2768 - mH - E n. DIN 16801 - 140	G. Stegmayer	25.05.2005		
0 PLC ± 1 PLC ± 2 PLC ± 3 PLC ± 4 PLC ±	G. Stegmayer			
ANGLES	NAME EXTRACTION TOOL Entriegelungswerkzeug			
SURFACE TEXTURE	SCALE 1:1	SIZE A3	DRAWING NO C-9-1579007-6	SHEET 1 OF 1

Gewicht / Weight 0,000kg

tyco Electronics tyco Electronics AMP GmbH
 D - 64625 Bensheim