



Chipsmall Limited consists of a professional team with an average of over 10 year of expertise in the distribution of electronic components. Based in Hongkong, we have already established firm and mutual-benefit business relationships with customers from,Europe,America and south Asia,supplying obsolete and hard-to-find components to meet their specific needs.

With the principle of “Quality Parts,Customers Priority,Honest Operation,and Considerate Service”,our business mainly focus on the distribution of electronic components. Line cards we deal with include Microchip,ALPS,ROHM,Xilinx,Pulse,ON,Everlight and Freescale. Main products comprise IC,Modules,Potentiometer,IC Socket,Relay,Connector.Our parts cover such applications as commercial,industrial, and automotives areas.

We are looking forward to setting up business relationship with you and hope to provide you with the best service and solution. Let us make a better world for our industry!



## Contact us

Tel: +86-755-8981 8866 Fax: +86-755-8427 6832

Email & Skype: info@chipsmall.com Web: www.chipsmall.com

Address: A1208, Overseas Decoration Building, #122 Zhenhua RD., Futian, Shenzhen, China



THIS DRAWING IS UNPUBLISHED. RELEASED FOR PUBLICATION 2005  
 © COPYRIGHT 2005 BY TYCO ELECTRONICS CORPORATION. ALL RIGHTS RESERVED.

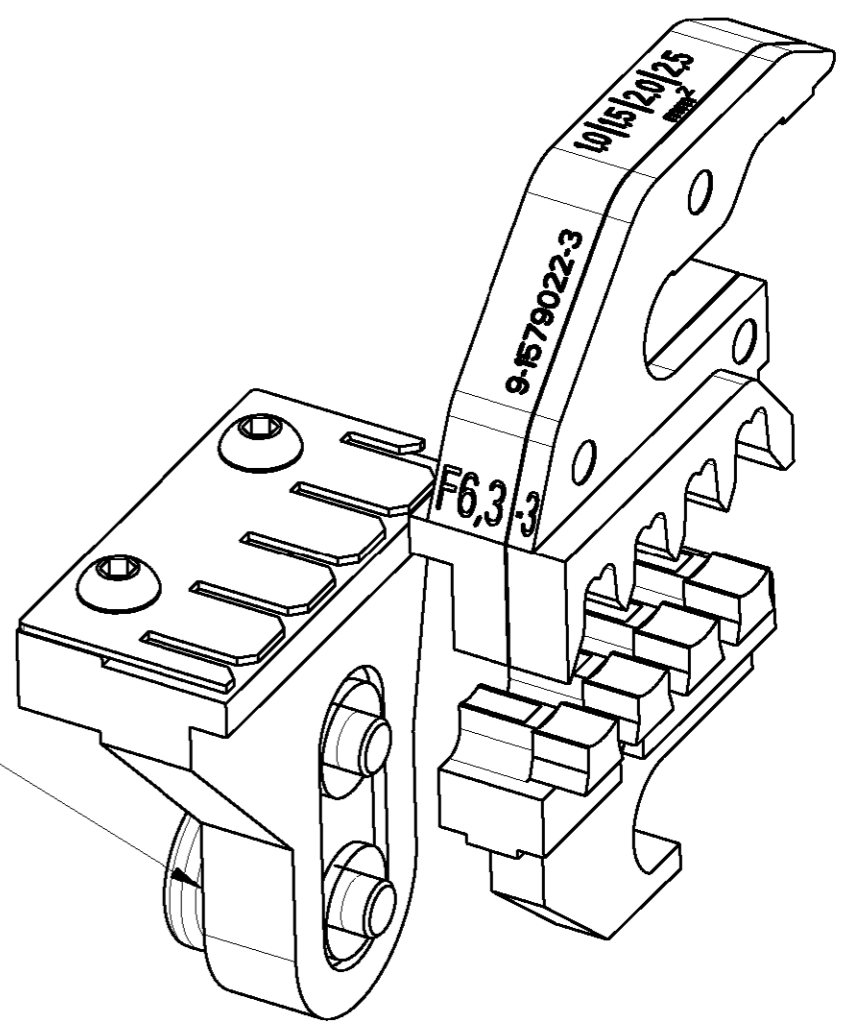
LOC	DIST	REVISIONS			
P	LTR	DESCRIPTION	DATE	DWN	APVD
A1	-				

CERTILOK DIE SET FOR FASTON 6.3 mm - WIRE RANGE 1,0-2,5 mm<sup>2</sup>  
 Certilok-Matrize fuer Faston 6.3 mm - Querschnittsbereich 1,0-2,5 mm<sup>2</sup>

Matrize in Kombination mit Certilok Basishandzange TE PN 169400 verwenden  
 Die set used in combination with Certilok basis hand tool TE PN 169400

Lieferumfang: Matrize mit Kontaktpositionierer TE PN 9-1579013-7 und Bedienungsanleitung 411-18465  
 Shipment: Die set with contact locator TE PN 9-1579013-7 and instruction sheet 411-18465

Kontaktpositionierer als Ersatzteil erhaeltlich (Siehe Zeichnung TE PN 9-1579013-7)  
 Contact locator available as spare part (see drawing TE PN 9-1579013-7)



Kontakt	DGB (mm <sup>2</sup> )	Drahtcrimp / Wire Crimp		Isolationscrimp/Insulationcrimp		Isol.Ø	Betriebsanl.
Contact	Wire Range	Hoehe/Height mm	Breite/Width mm	Hoehe/Height mm	Breite/Width mm	Ins.Range	Instr.Sheet
106942	1.0	1,52 ±0,05	2,79 F	-----	3,95 F	1,9-2,1	411-18465
160304	1.5	1,65 ±0,05		-----		2,2-2,4	
160814	2.0	1,78 ±0,05		-----		2,3-2,6	
181903	2.5	1,91 ±0,05		-----		2,7-3,0	

<small>THIS DRAWING IS A CONTROLLED DOCUMENT FOR TYCO ELECTRONICS CORPORATION                  IT IS SUBJECT TO CHANGE AND THE CONTROLLING ENGINEERING ORGANIZATION                  SHOULD BE CONTACTED FOR THE LATEST REVISION.</small>		DWN Ch.Witt	29JUN2007	<b>tyco</b> Electronics		tyco Electronics AMP GmbH D - 64625 Bensheim			
DIMENSIONS: mm 		TOLERANCES UNLESS OTHERWISE SPECIFIED: 0 PLC ± 1 PLC ± 2 PLC ± 3 PLC ± 4 PLC ± ANGLES ±°		CHK -	APVD -	NAME DIE SET FOR FASTON 6.3 (1,0-2,5 mm <sup>2</sup> )			
MATERIAL 1.2767		FINISH 48-52 HRC		PRODUCT SPEC -	APPLICATION SPEC -	SIZE A3	CAGE CODE 00779	DRAWING NO C-9-1579022-3	RESTRICTED TO -
CUSTOMER DRAWING				WEIGHT 90 g	SCALE 2:1	SHEET 1	OF 1	REV A	