



Chipsmall Limited consists of a professional team with an average of over 10 year of expertise in the distribution of electronic components. Based in Hongkong, we have already established firm and mutual-benefit business relationships with customers from,Europe,America and south Asia,supplying obsolete and hard-to-find components to meet their specific needs.

With the principle of “Quality Parts,Customers Priority,Honest Operation,and Considerate Service”,our business mainly focus on the distribution of electronic components. Line cards we deal with include Microchip,ALPS,ROHM,Xilinx,Pulse,ON,Everlight and Freescale. Main products comprise IC,Modules,Potentiometer,IC Socket,Relay,Connector.Our parts cover such applications as commercial,industrial, and automotives areas.

We are looking forward to setting up business relationship with you and hope to provide you with the best service and solution. Let us make a better world for our industry!



Contact us

Tel: +86-755-8981 8866 Fax: +86-755-8427 6832

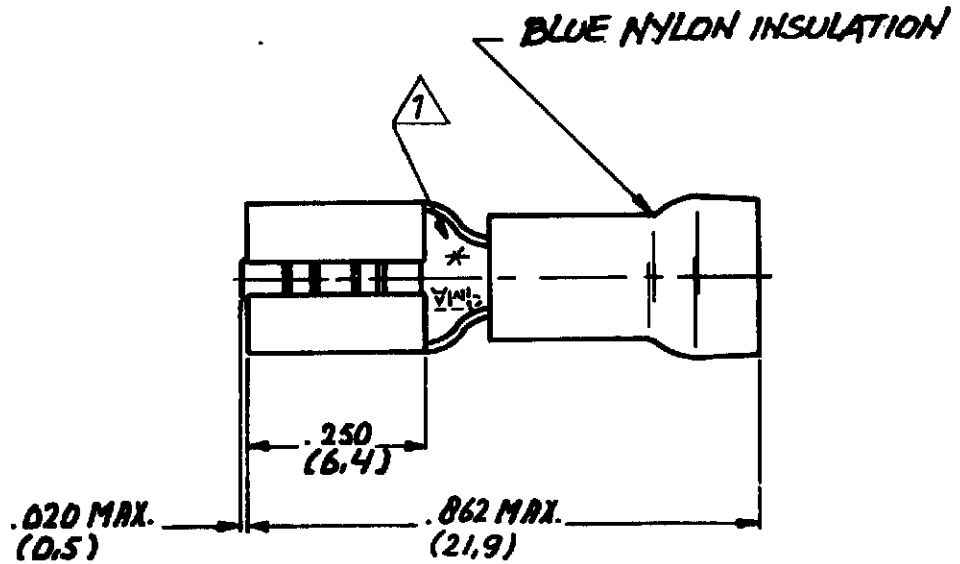
Email & Skype: info@chipsmall.com Web: www.chipsmall.com

Address: A1208, Overseas Decoration Building, #122 Zhenhua RD., Futian, Shenzhen, China

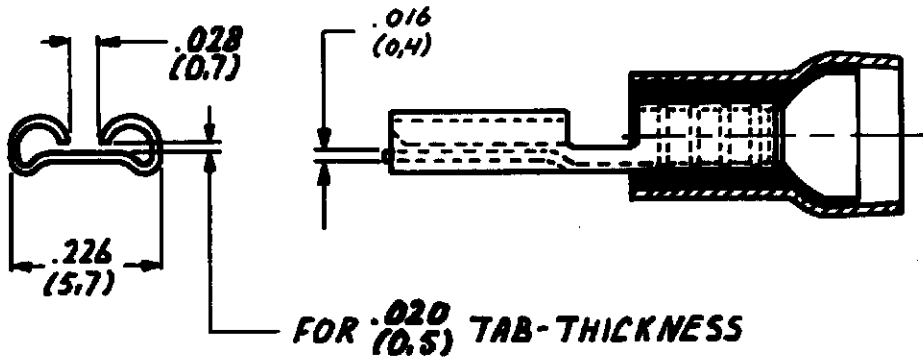


DRAWING MADE IN AMERICAN PROJECTION

NUMBER C-160477



DOC. CENTRE
23 JAN. 1992



△ ASTERISK * FOR PH.BRONZE VERSION ONLY.

DIMENSIONS IN MM. DO NOT SCALE PRINT

9-160477-8	PH.BRONZE	TINLEAD
5-160477-7	9-160477-7 TAPE MOUNTED	
5-160477-6	9-160477-6 TAPE MOUNTED	
5-160477-5	9-160477-5 TAPE MOUNTED	
5-160477-4	9-160477-4 TAPE MOUNTED	
5-160477-3	9-160477-3 TAPE MOUNTED	
5-160477-2	9-160477-2 TAPE MOUNTED	
9-160477-7	PH. BRONZE	GOLD
9-160477-6	PH. BRONZE	SILVER
9-160477-5	PH. BRONZE	TIN
9-160477-4	BRASS	GOLD
9-160477-3	BRASS	SILVER
9-160477-2	BRASS	TIN

CUSTOMER COPY FOR REFERENCE ONLY

©1980 BY AMP-HOLLAND N.V. ALL RIGHTS RESERVED A-MP PRODUCTS COVERED BY PATENTS AND/OR PATENTS PENDING.



AMP-HOLLAND N.V.
's-Hertogenbosch

WIRE-RANGE 16-24 AWG 4.0-2.6mm	INSUL.-RANGE .130 MAX. DIA 3.30 mm MAX. DIA	FIRST L ¹
SCALE N.T.S.	SIZE A	NO. C-160477

REV
5

ORDER NO.	MATERIAL	PLATING
DR RUH 5/80	DATE	DE
CHK	DATE	APP

NAME
.187 SER. P.I D.G. FASTON RECEPTACLE