



Chipsmall Limited consists of a professional team with an average of over 10 year of expertise in the distribution of electronic components. Based in Hongkong, we have already established firm and mutual-benefit business relationships with customers from,Europe,America and south Asia,supplying obsolete and hard-to-find components to meet their specific needs.

With the principle of “Quality Parts,Customers Priority,Honest Operation,and Considerate Service”,our business mainly focus on the distribution of electronic components. Line cards we deal with include Microchip,ALPS,ROHM,Xilinx,Pulse,ON,Everlight and Freescale. Main products comprise IC,Modules,Potentiometer,IC Socket,Relay,Connector.Our parts cover such applications as commercial,industrial, and automotives areas.

We are looking forward to setting up business relationship with you and hope to provide you with the best service and solution. Let us make a better world for our industry!



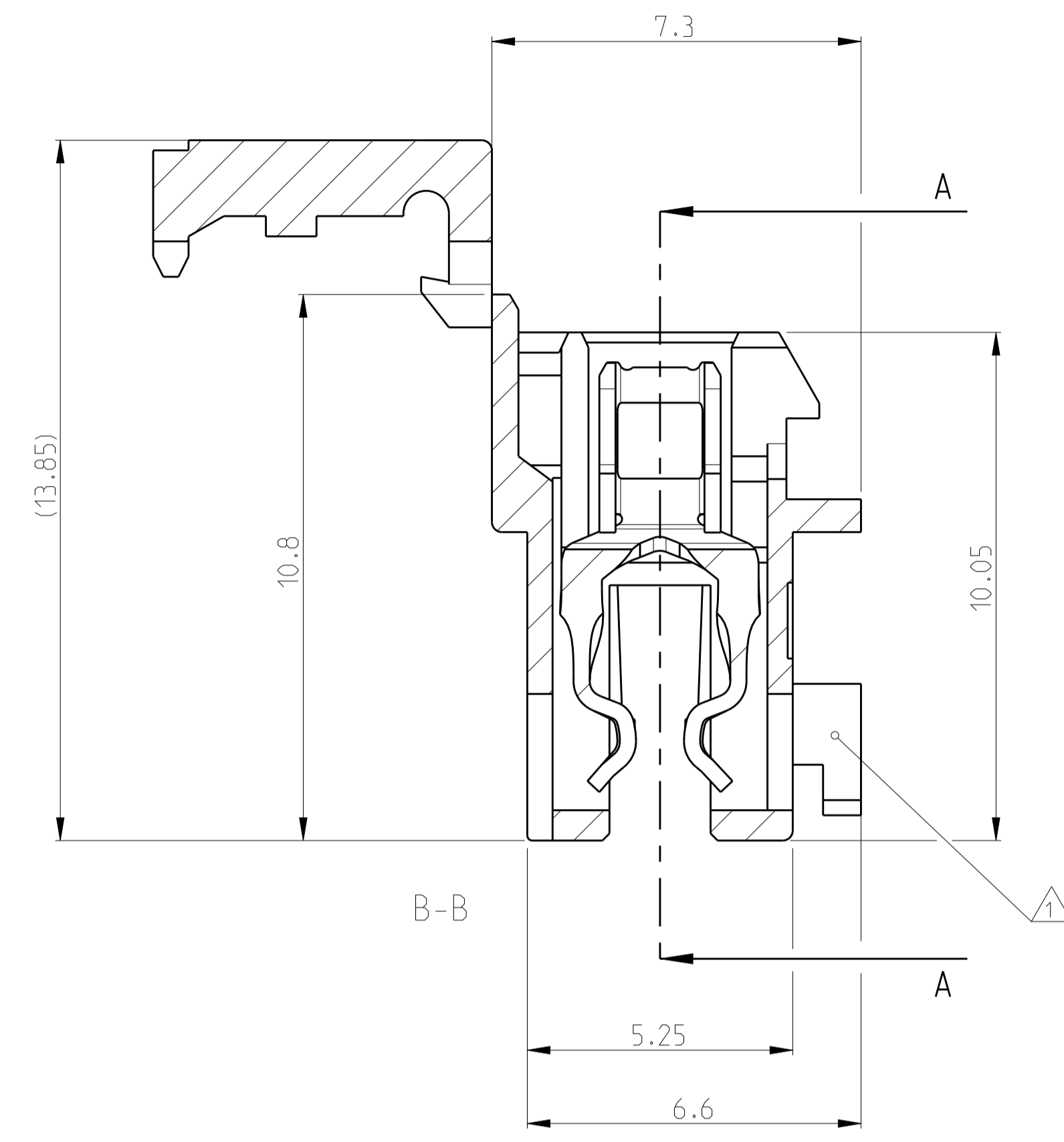
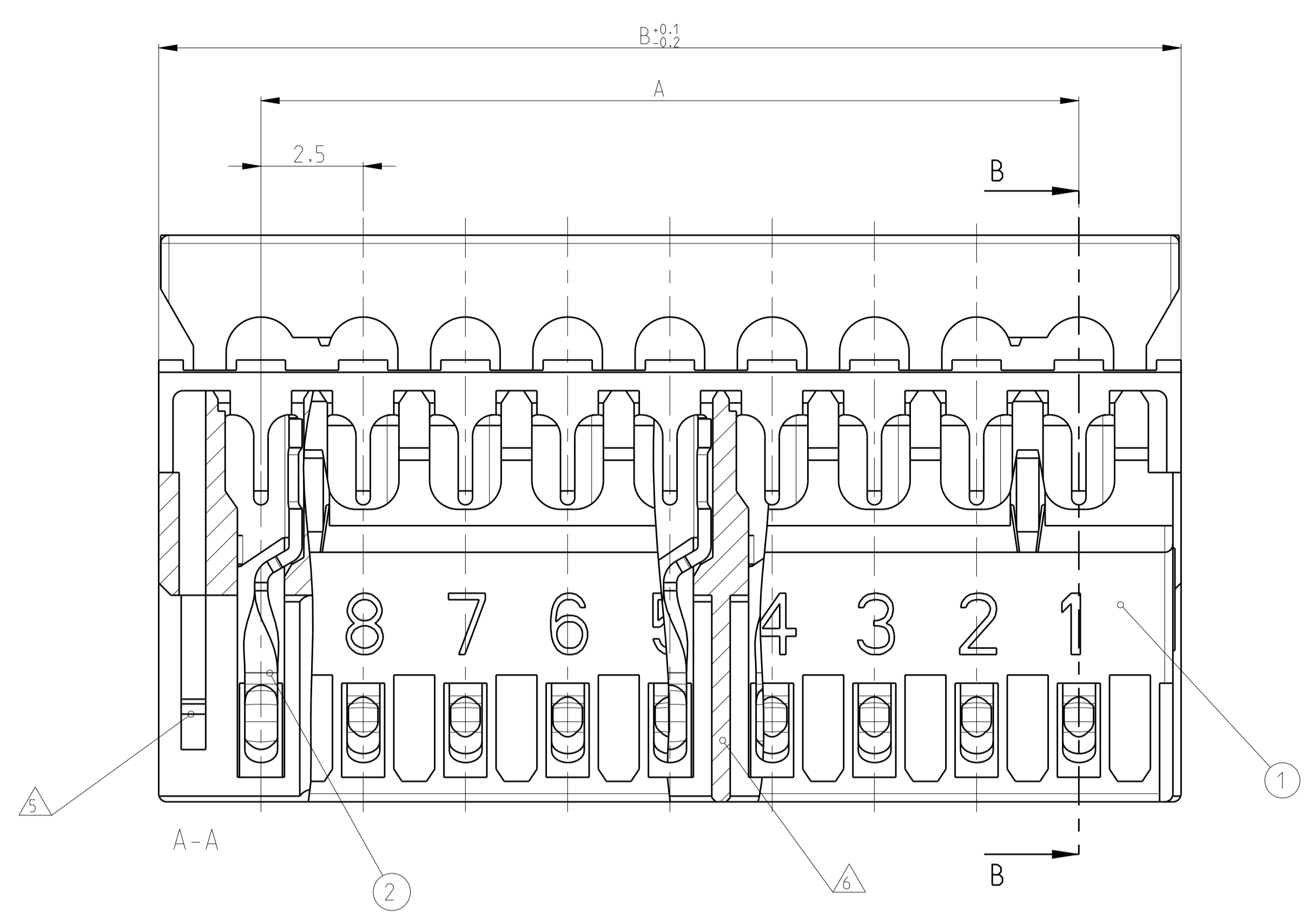
Contact us

Tel: +86-755-8981 8866 Fax: +86-755-8427 6832

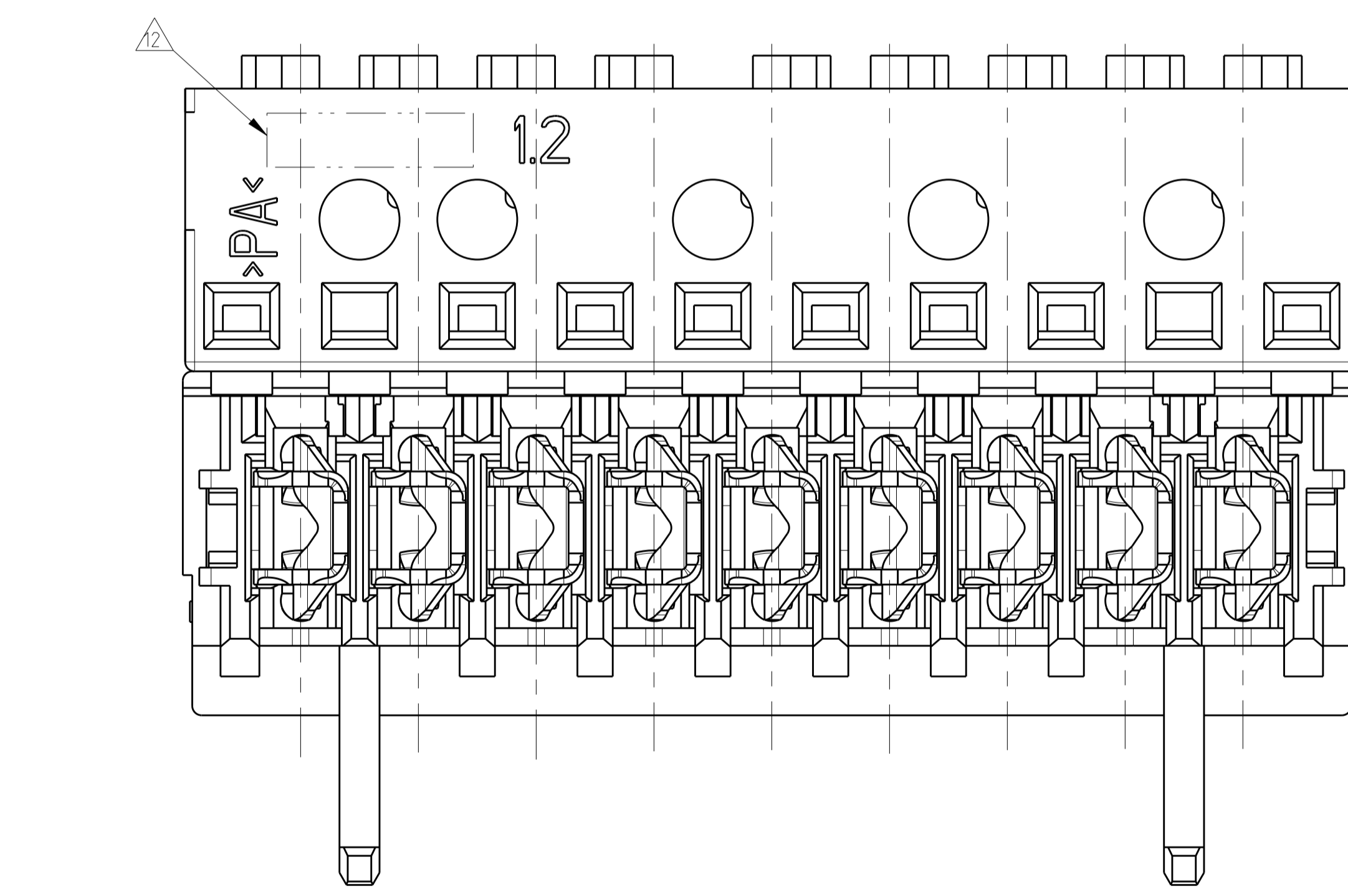
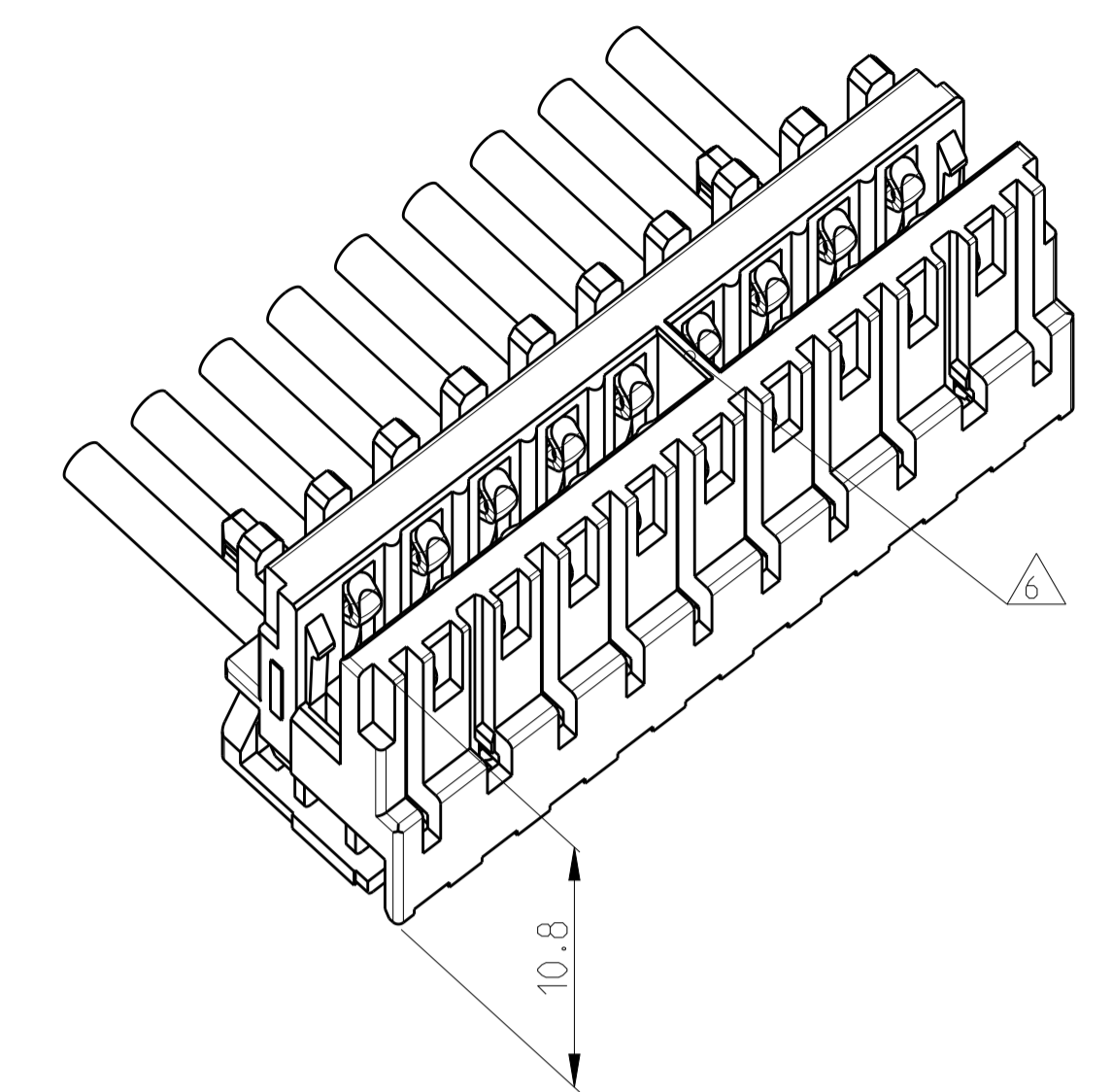
Email & Skype: info@chipsmall.com Web: www.chipsmall.com

Address: A1208, Overseas Decoration Building, #122 Zhenhua RD., Futian, Shenzhen, China





LOC	DIST	REVISIONS					
		P.	LTM	DESCRIPTION	DATE	DMN	APVD
A1	-						
		C2		ECR-11-024865	01DEC2011	C.J	R.P
		C3		ECR-12-002073	02FEB2012	C.J	R.P
		C4		ECR-16-007583	01JUN2016	KD	RR
		C5		ECR-16-009247	28JUN2016	KD	RR



- ⚠ PRELIMINARY - NOT RELEASED FOR PRODUCTION
- ⚠ Color marking on top of the cover
- ⚠ TE LOGO
- ⚠ - ⚠ SEE SHEET 2
siehe Blatt 2
- ⚠ RESERVED FOR BASIC NO. 1 740 155
Für Basisnummer 1 740 155 reserviert
- ⚠ POLARIZATION RIB BETWEEN CAVITY NO. ...
Polarisierungsrippe zwischen Kammer Nr. ...
- ⚠ LOCKING HOOK BETWEEN BEFORE CAVITY NO. 1 AND AFTER LAST CAVITY
Rasthaken vor Kammer Nr. 1 und letzter Kammer
- 4 WIRE RANGE: 0.22-0.35mm²
Drahtgroßenbereich: 0.22-0.35mm²
- ⚠ IEC 60695-2-1 / IEC 60335-1 GLOW WIRE TEST 750 °C WITHOUT FLAME
IEC 60695-2-1 / IEC 60335-1 Gluehdrahttest 750 °C ohne Flamme
- 2 MATING PART: SEE PCB LAYOUT
Passender Gegenstecker: Siehe Leiterplattenanschluss
- ⚠ KEYING RIBS; CUTTING WITH TERMINATION MACHINE POSSIBLE
Kodierrippe; Schneiden auf der Verarbeitungsmaschine möglich

OBSOLETE

Color Code	POS. Polzahl	DIM A	DIM B	POLARIZATION	PN Bestell-Nr.
	8	17.5	22.4	5 + 6	1-1740154-8
	6	12.5	17.4	4 + 5	1-1740154-6
	5	10	14.9	-	2-1740154-5
	5	10	14.9	4 + 5	1-1740154-5
	4	7.5	12.4	1 + 2	1-1740154-4
	3	5	9.9	2 + 3	1-1740154-3
	6	12.5	17.4	-	9-1740154-6
	5	10	14.9	-	9-1740154-5
Blue	3	5	9.9	-	9-1740154-3
	20	47.5	52.4	9 + 10	-
	19	45	49.9	9 + 10	-
	18	42.5	47.4	8 + 9	-
	17	40	44.9	8 + 9	-
	16	37.5	42.4	7 + 8	-
	15	35	39.9	7 + 8	-
	14	32.5	37.4	6 + 7	-
	13	30	34.9	6 + 7	-
	12	27.5	32.4	5 + 6	-
	11	25	29.9	5 + 6	-
	10	22.5	27.4	4 + 5	-
	9	20	24.9	4 + 5	-
	8	17.5	22.4	3 + 4	-
	7	15	19.9	3 + 4	-
	6	12.5	17.4	2 + 3	-
	5	10	14.9	2 + 3	-
	4	7.5	12.4	1 + 2	-
	3	5	9.9	1 + 2	-

2	SEE TABLE	CONTACT/Kontakt	CuSn	TINNED/verzinkt
1	siehe Tabelle	HOUSING/Federleistengeh.	PA 6 GF UL94-V2	NATUR/Natur
POS.	PN Bestell-Nr.	DESCRIPTION Beschreibung	MATERIAL	COLOUR/FINISH Farbe/Oberflaeche

THIS DRAWING IS A CONTROLLED DOCUMENT.

DMN: H. Karabiyik / OSMAR2004
CHK: B. Schnaubelt / OSMAR2004
APVD: T. Klenner / OSMAR2004

DIMENSIONS: mm
TOLERANCES UNLESS OTHERWISE SPECIFIED:
0 PLC ±0.2
1 PLC ±0.2
2 PLC ±0.2
3 PLC ±0.2
4 PLC ±0.2
ANGLES ±°

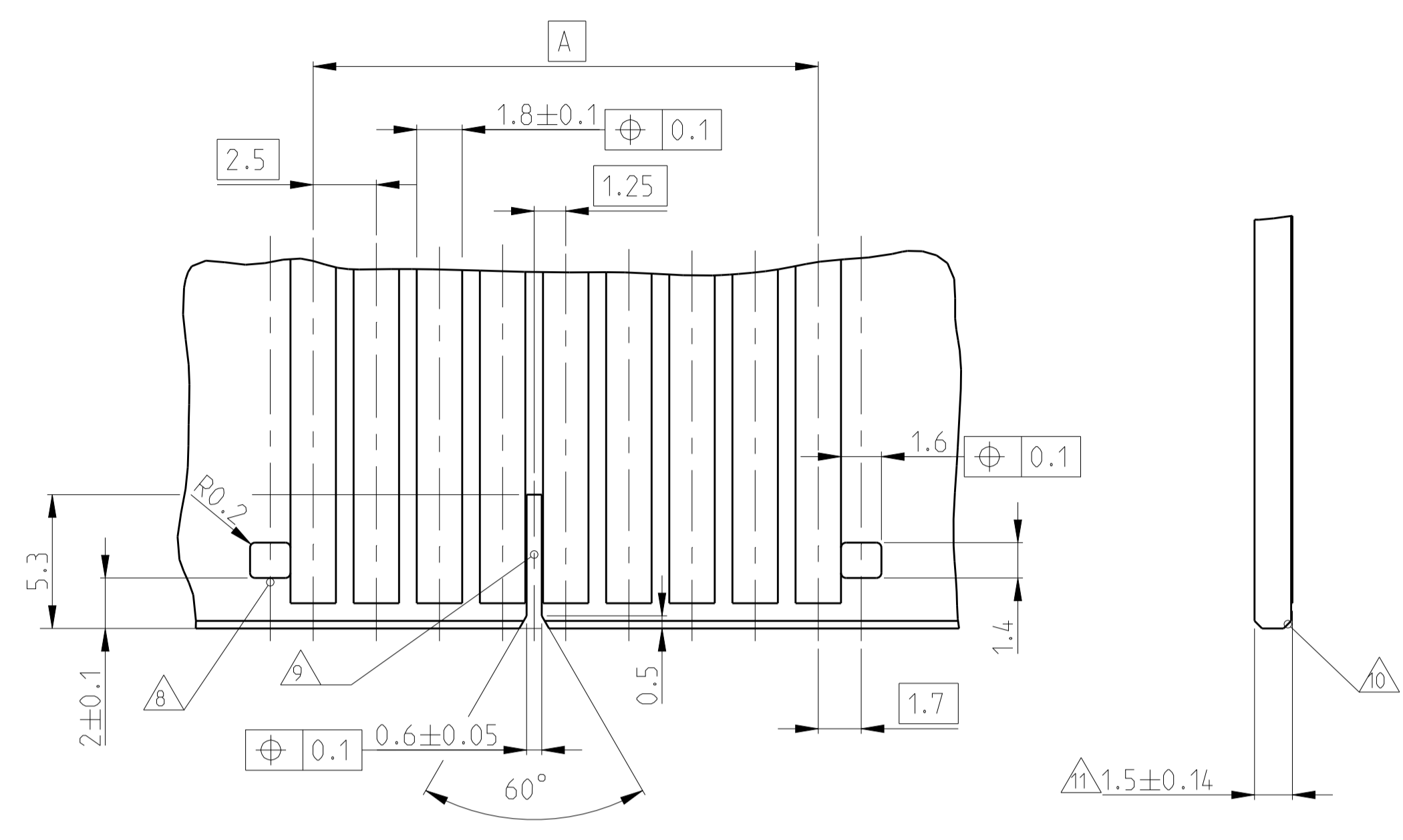
MATERIAL: SEE TABLE
FINISH: SEE TABLE

NAME: AMP DUOPLUG MKII FEMALE CONNECTOR 3-20 POSITION WITH PCB LOCKING
PRODUCT SPEC: -
APPLICATION SPEC: -
SIZE: A1
CAGE CODE: 00779
DRAWING NO: 1740154
RESTRICTED TO: -
SCALE: 10:1
SHEET: 1 OF 2
REV: C5

TE Connectivity

LOC		DIST		REVISIONS			
A1		-		REV	DATE	BY	APPV
				1	SEE SHEET 1	-	-

STANDARD PCB LAYOUT Standard Leiterplattenanschluss



- ▲ INCLUSIVE COPPER CLADDING, SINGLE OR DOUBLE SIDED
Inklusive Kupferkaschierung, ein oder doppelseitig
- ▲ PCB PREFERABLY CHAMFERED
Leiterplatte vorzugsweise angefast
- ▲ SLOT FOR POLARIZATION RIB
Schlitz fuer Polarisierungsrippe
- ▲ WINDOW FOR LOCKING HOOK
Fenster fuer Rasthaken
- ▲ - ▲ SEE SHEET 1
siehe Blatt 1

THIS DRAWING IS A CONTROLLED DOCUMENT.		OWN H. Karabiyik 05MAR2004	TE Connectivity												
DIMENSIONS: mm		CHK B. Schnaubelt 05MAR2004													
TOLERANCES UNLESS OTHERWISE SPECIFIED:		APPV T. Klenner 05MAR2004	NAME AMP DUOPLUG MKII FEMALE CONNECTOR 3-20 POSITION WITH PCB LOCKING												
<table border="1"> <tr><td>0 PLC</td><td>±0.2</td></tr> <tr><td>1 PLC</td><td>±0.2</td></tr> <tr><td>2 PLC</td><td>±0.2</td></tr> <tr><td>3 PLC</td><td>±0.2</td></tr> <tr><td>4 PLC</td><td>±0.2</td></tr> <tr><td>ANGLES</td><td>±0.1°</td></tr> </table>		0 PLC	±0.2	1 PLC	±0.2	2 PLC	±0.2	3 PLC	±0.2	4 PLC	±0.2	ANGLES	±0.1°	PRODUCT SPEC -	SIZE A1
0 PLC	±0.2														
1 PLC	±0.2														
2 PLC	±0.2														
3 PLC	±0.2														
4 PLC	±0.2														
ANGLES	±0.1°														
MATERIAL SEE TABLE		APPLICATION SPEC -	CAGE CODE DRAWING NO 00779 ©=1740154												
FINISH SEE TABLE		WEIGHT -	RESTRICTED TO -												
CUSTOMER DRAWING			SCALE 5:1 SHEET 2 OF 2 REV C5												