



Chipsmall Limited consists of a professional team with an average of over 10 year of expertise in the distribution of electronic components. Based in Hongkong, we have already established firm and mutual-benefit business relationships with customers from,Europe,America and south Asia,supplying obsolete and hard-to-find components to meet their specific needs.

With the principle of “Quality Parts,Customers Priority,Honest Operation,and Considerate Service”,our business mainly focus on the distribution of electronic components. Line cards we deal with include Microchip,ALPS,ROHM,Xilinx,Pulse,ON,Everlight and Freescale. Main products comprise IC,Modules,Potentiometer,IC Socket,Relay,Connector.Our parts cover such applications as commercial,industrial, and automotives areas.

We are looking forward to setting up business relationship with you and hope to provide you with the best service and solution. Let us make a better world for our industry!



Contact us

Tel: +86-755-8981 8866 Fax: +86-755-8427 6832

Email & Skype: info@chipsmall.com Web: www.chipsmall.com

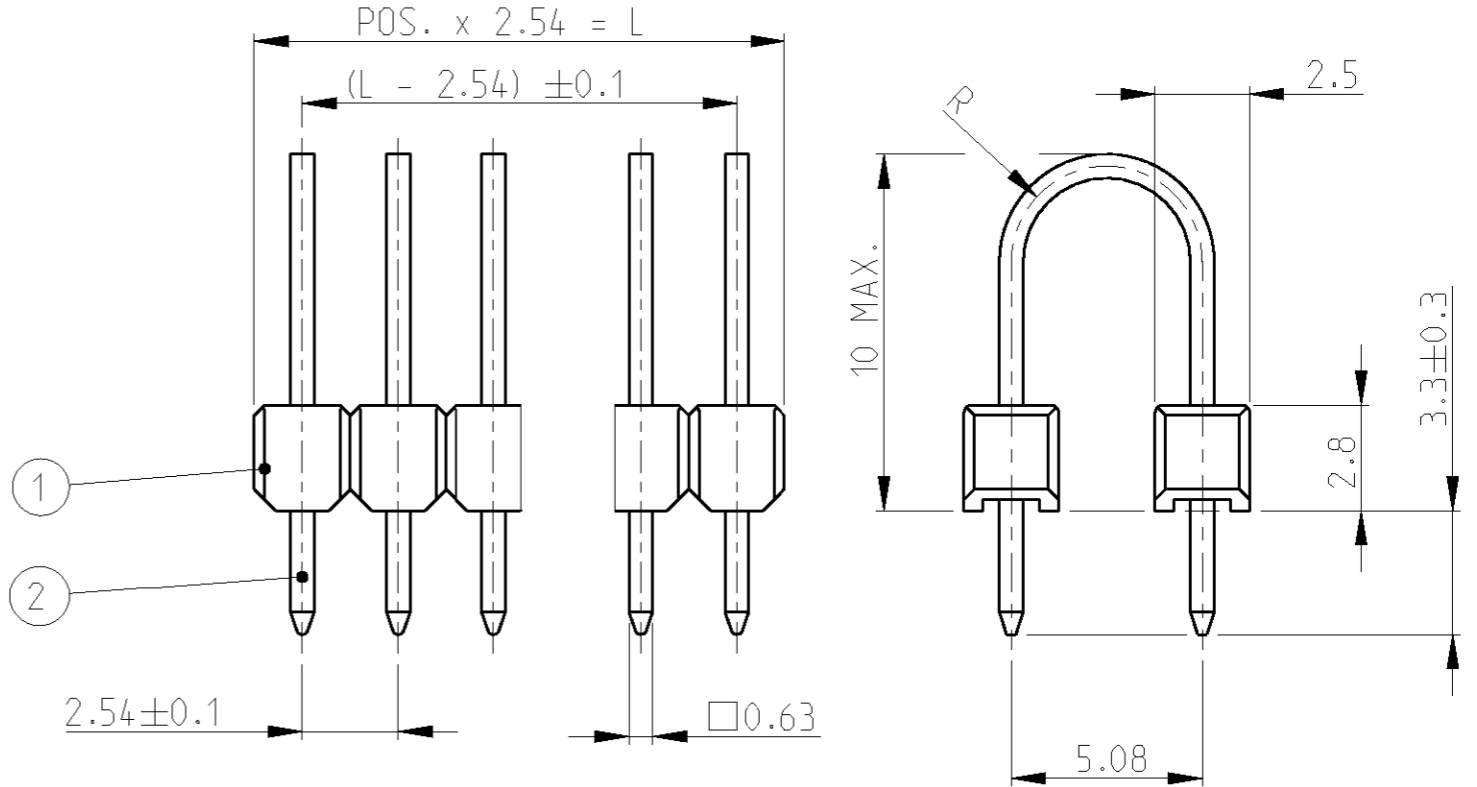
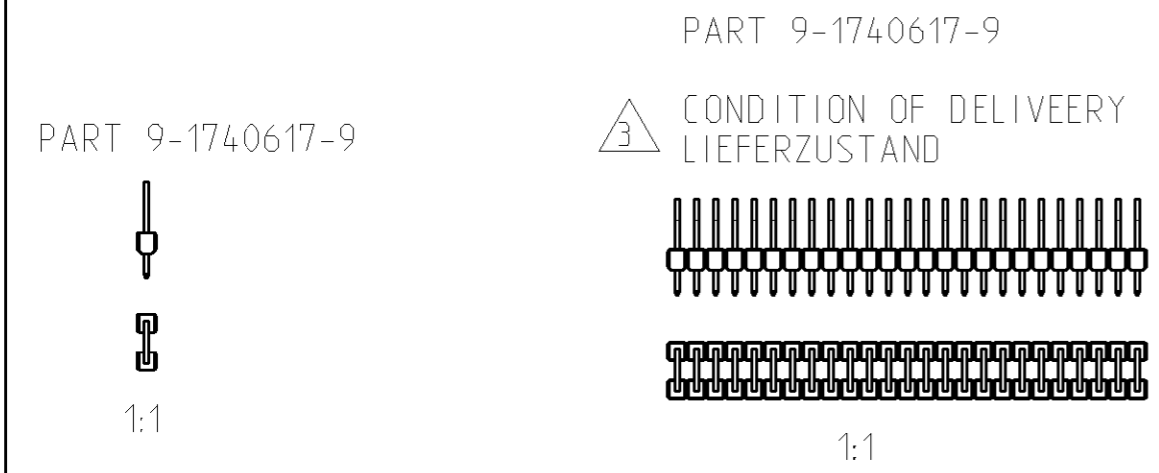
Address: A1208, Overseas Decoration Building, #122 Zhenhua RD., Futian, Shenzhen, China



THIS DRAWING IS UNCLASSIFIED. RELEASED FOR PUBLICATION 2006
 © COPYRIGHT 2006 BY TYCO ELECTRONICS CORPORATION. ALL RIGHTS RESERVED.

LOC	DIST	REVISIONS			
P	LTR	DESCRIPTION	DATE	DWN	APVD
A1	-	B3	NOTE 2: QTY CHANGED FROM 90 TO 60	03JUL2006	ACK MS

POS. PER ROW	L ±0.5	ORDER - NO. BESTELL - NR.	
1	2.54	9-1 740 617-9	△3
24	60.96	2-1 740 617-4	
25	63.50	△3	

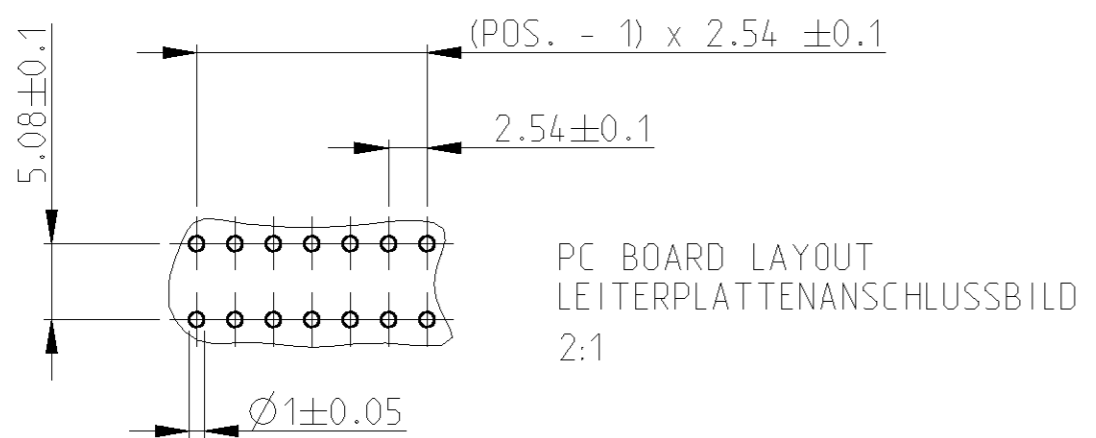


△1 MIN. 3 µm TIN OVER 1.27 µm NICKEL TIPS UNPLATED
 MIN. 3 µm ZINN ÜBER 1.27 µm NICKEL STIFTSPITZEN BLANK

2 60 PCS. WITH ANTISTATIC BAG IN CARDBOARD BOX 185x140x57
 60 STÜCK MIT ANTISTATISCHER BEUTEL IN KARTON 185x140x57

△3 DELIVERED AS STRIP WITH 25 POSITIONS PER ROW
 WIRD ALS 25-POLIGER STREIFEN GELIEFERT

REMARK	DESCRIPTION BEZEICHNUNG	MATERIAL	ITEM LFD. NR.
△1	CONTACT PIN KONTAKTSTIFT	Cu Sn	2
	COLOUR, GREEN	PBT GV	1



THIS DRAWING IS A CONTROLLED DOCUMENT FOR TYCO ELECTRONICS CORPORATION. IT IS SUBJECT TO CHANGE AND THE CONTROLLING ENGINEERING ORGANIZATION SHOULD BE CONTACTED FOR THE LATEST REVISION.

DIMENSIONS:	TOLERANCES UNLESS OTHERWISE SPECIFIED:	DWN	05DEC2005	tyco Electronics AMP GmbH D - 67346 Speyer
mm		CHK	05DEC2005	
	0 PLC ±0.2	APVD	-	
	1 PLC ±0.2			
	2 PLC ±0.2			NAME
	3 PLC ±			AMPMODU II
	4 PLC ±			SOLDER STRAP
	ANGLES ±			LOETBRUECKE
	FINISH -			SIZE
MATERIAL -				CAGE CODE
				DRAWING NO
				RESTRICTED TO
				A3 00779 C=1740617
				CUSTOMER DRAWING
				SCALE 5:1
				SHEET 1 OF 1
				REV B3