



Chipsmall Limited consists of a professional team with an average of over 10 year of expertise in the distribution of electronic components. Based in Hongkong, we have already established firm and mutual-benefit business relationships with customers from,Europe,America and south Asia,supplying obsolete and hard-to-find components to meet their specific needs.

With the principle of "Quality Parts,Customers Priority,Honest Operation,and Considerate Service",our business mainly focus on the distribution of electronic components. Line cards we deal with include Microchip,ALPS,ROHM,Xilinx,Pulse,ON,Everlight and Freescale. Main products comprise IC,Modules,Potentiometer,IC Socket,Relay,Connector.Our parts cover such applications as commercial,industrial, and automotives areas.

We are looking forward to setting up business relationship with you and hope to provide you with the best service and solution. Let us make a better world for our industry!



## Contact us

Tel: +86-755-8981 8866 Fax: +86-755-8427 6832

Email & Skype: info@chipsmall.com Web: www.chipsmall.com

Address: A1208, Overseas Decoration Building, #122 Zhenhua RD., Futian, Shenzhen, China



THIS DRAWING IS UNPUBLISHED. RELEASED FOR PUBLICATION  
 © COPYRIGHT BY TYCO ELECTRONICS CORPORATION. ALL RIGHTS RESERVED.

LOC	DIST	REVISIONS					
J	—	P	LTR	DESCRIPTION	DATE	DWN	APVD
		D		REVISED ECR-06-003678	21FEB'06	J.S	N.Y

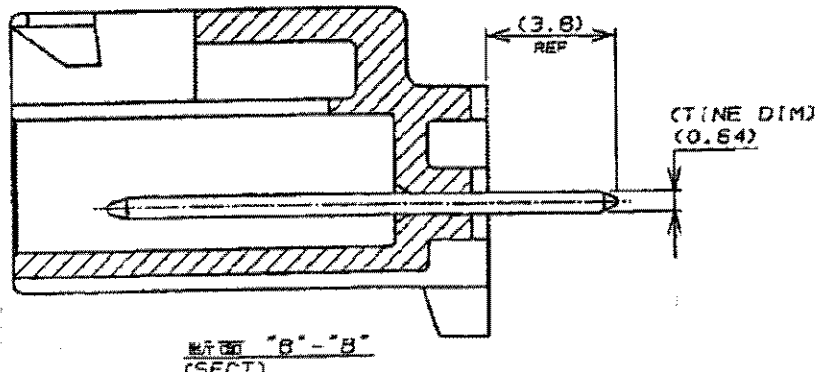
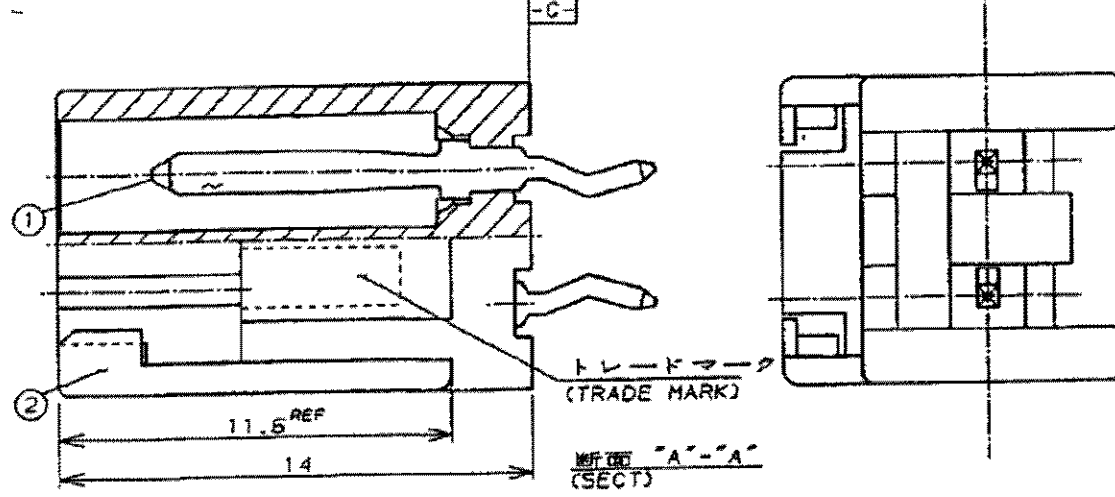
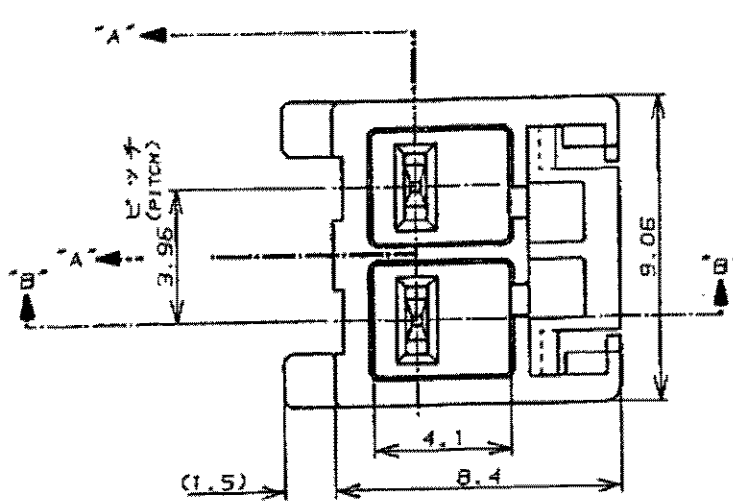
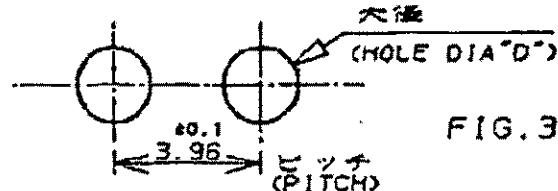
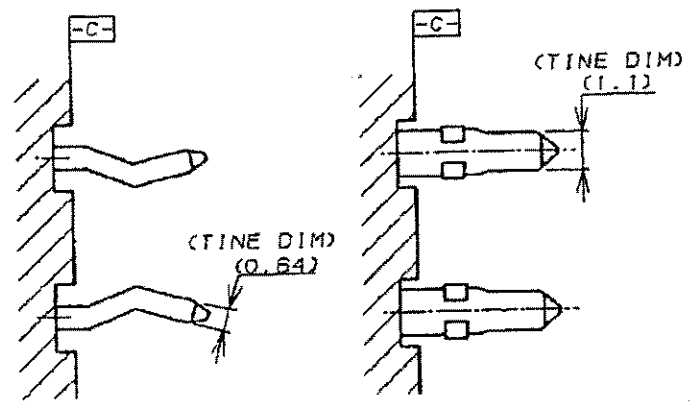


表1 TABLE1

NO.	名称 (NAME)	材料 (MATERIAL)
①	タブ (TAB)	△ △
②	ヘッダーハウジング (HEADER HOUSING)	6/6ナイロンガラス強化(94V-0) (6/6 NYLON GLASS FILLED)

- 注記:  
 1. 適用製品規格: 108-5302  
 2. かん合相手側製品型番  
   プラグハウジング : 176271-X  
   リセコンタクト : 175151-X (AWG#26-#22)  
   : 175152-X (AWG#20-#16)  
 3. 取付基板寸法  
 4. 適用基板厚 : 1.6t  
 △ キンク形状はFig.2参照  
 △ 黄銅半田めっき  
 △ 黄銅錫めっき
- NOTES:  
 1. PRODUCT SPEC 108-5302  
 2. MATING CONN. P/N  
   PLUG HSG : 176271-X  
   REC CONTACT : 175151-X (AWG#26-#22)  
   : 175152-X (AWG#20-#16)  
 3. P.C.B LAYOUT : SEE FIG.3  
 4. APPLICABLE P.C.B. THK : 1.6t  
 △ KINKING FORM : SEE FIG.2  
 △ BRASS TIN LEAD PLATING  
 △ BRASS TIN PLATING



パンチ加工穴 0.95±0.05 ドリル加工穴 1.10±0.05 (PUNCHED HOLE 0.95±0.05 DRILLED HOLE 1.10±0.05)	タイプ 1 (TYPE 1)	0.64 X 0.64 板厚 幅 (THK) (WIDTH)	自然色 (NATURAL)	△ 9-176975-1 △
パンチ加工穴 1.50±0.05 ドリル加工穴 1.65±0.05 (PUNCHED HOLE 1.50±0.05 DRILLED HOLE 1.65±0.05)	タイプ 2 (TYPE 2)	0.64 X 1.10 板厚 幅 (THK) (WIDTH)	黒 (BLACK) 青 (BLUE) 黄色 (YELLOW) 赤 (RED) 自然色 (NATURAL)	△ 1-176975-9 △ 1-176975-6 △ 1-176975-4 △ 1-176975-2 △ 1-176975-1
パンチ加工穴 0.95±0.05 ドリル加工穴 1.10±0.05 (PUNCHED HOLE 0.95±0.05 DRILLED HOLE 1.10±0.05)	タイプ 1 (TYPE 1)	0.64 X 0.64 板厚 幅 (THK) (WIDTH)	黒 (BLACK) 青 (BLUE) 黄色 (YELLOW) 赤 (RED) <del>自然色 (NATURAL)</del>	△ 176975-9 △ 176975-6 △ 176975-4 △ 176975-2 <del>△ 176975-1</del>
△ 取付基板寸法D (P.C.B HOLE DIA D)	キンク仕様 (KINKING FORM)	コンタクトのタイン寸法 (TINE DIMENSION OF CONTACT)	色調 (COLOR)	型番 (P/N)

OBSOLETE

THIS DRAWING IS A CONTROLLED DOCUMENT.

DWN Y.NARISAWA 03DEC1994	Tyco Electronics AMP K.K. Kawasaki, Japan
CHK Y.FUJITA 04DEC1994	
APVD N.ONOUE 04DEC1994	NAME 番号 AMP UNIVERSAL POWER CONN. 3.96MM PITCH 2POS TAB HEADER ASSY (V TYPE)
DIMENSIONS: 単位: 概 mm	SIZE A3
TOLERANCES UNLESS OTHERWISE SPECIFIED: 一般公差	CAGE CODE 00779
10以下 ±0.2	DRAWING NO. C-176975
10を越え30以下 ±0.25	RESTRICTED TO
30を越え100以下 ±0.3	SCALE 尺度
ANGLES ±3'	SHEET 1 OF 1
MATERIAL 材料 SEE TABLE 1	REV D
FINISH 仕上 SEE TABLE 1	
WEIGHT	

CUSTOMER DRAWING