



Chipsmall Limited consists of a professional team with an average of over 10 year of expertise in the distribution of electronic components. Based in Hongkong, we have already established firm and mutual-benefit business relationships with customers from,Europe,America and south Asia,supplying obsolete and hard-to-find components to meet their specific needs.

With the principle of “Quality Parts,Customers Priority,Honest Operation,and Considerate Service”,our business mainly focus on the distribution of electronic components. Line cards we deal with include Microchip,ALPS,ROHM,Xilinx,Pulse,ON,Everlight and Freescale. Main products comprise IC,Modules,Potentiometer,IC Socket,Relay,Connector.Our parts cover such applications as commercial,industrial, and automotives areas.

We are looking forward to setting up business relationship with you and hope to provide you with the best service and solution. Let us make a better world for our industry!



Contact us

Tel: +86-755-8981 8866 Fax: +86-755-8427 6832

Email & Skype: info@chipsmall.com Web: www.chipsmall.com

Address: A1208, Overseas Decoration Building, #122 Zhenhua RD., Futian, Shenzhen, China



4

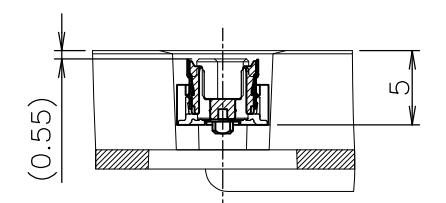
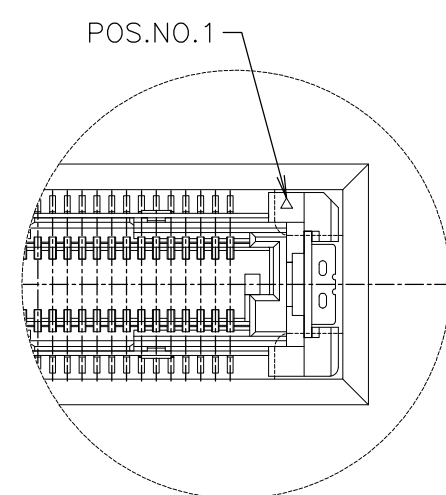
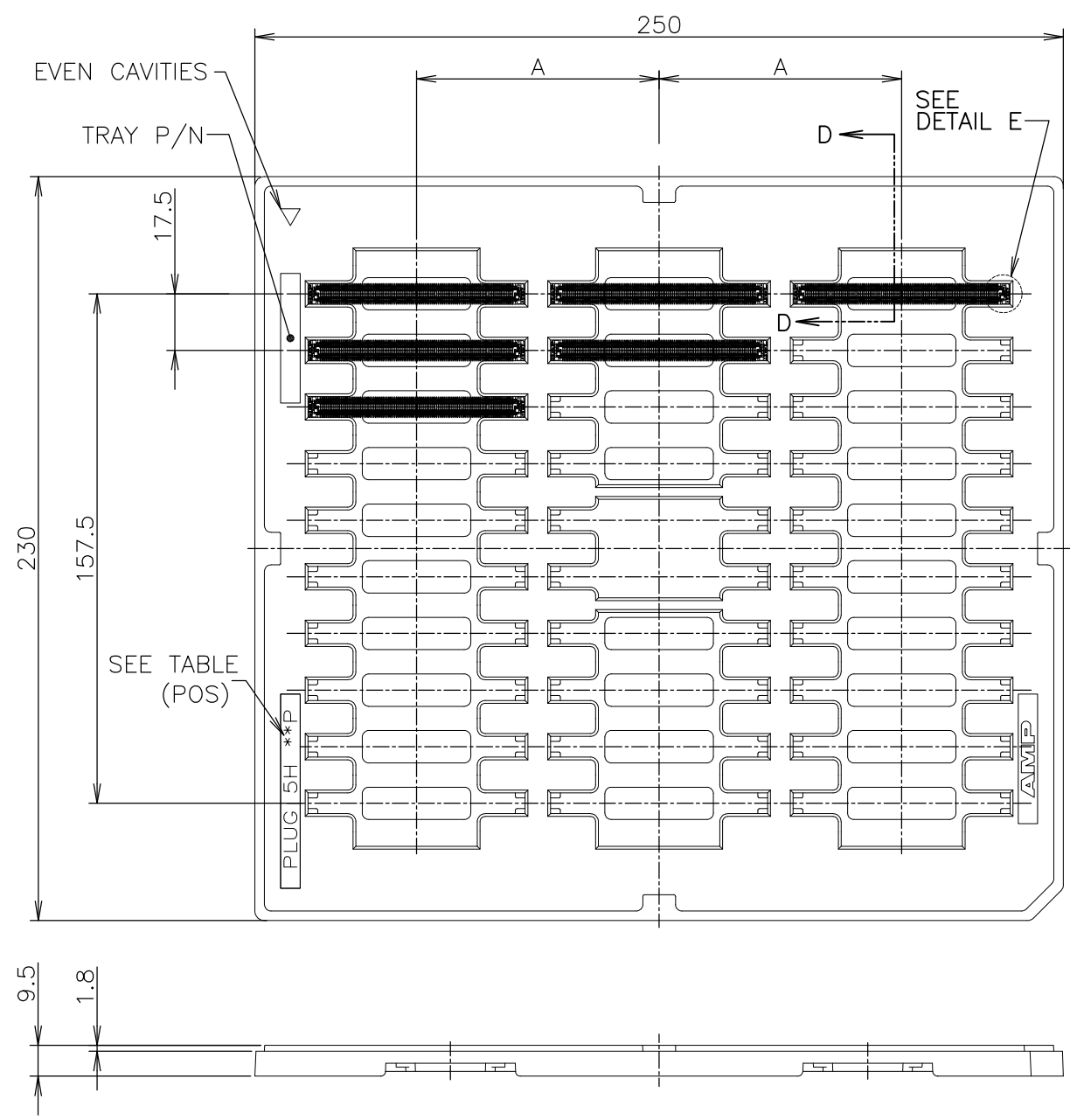
3

2

1

THIS DRAWING IS UNPUBLISHED. RELEASED FOR PUBLICATION ,2005.
 © COPYRIGHT 2005 By - ALL RIGHTS RESERVED.

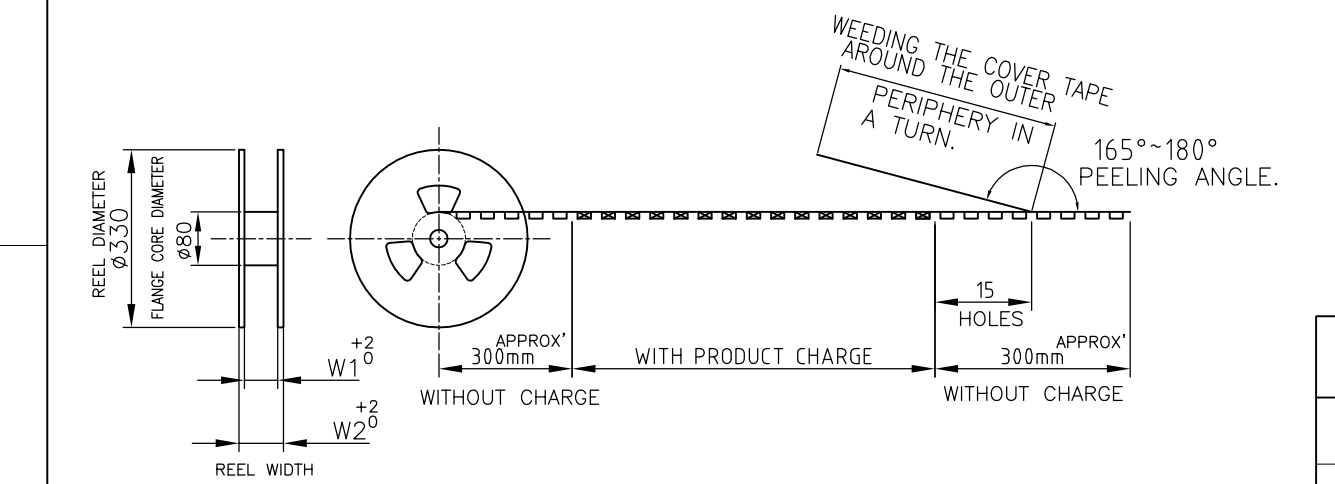
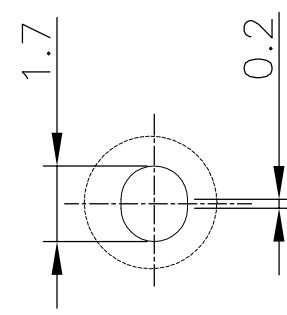
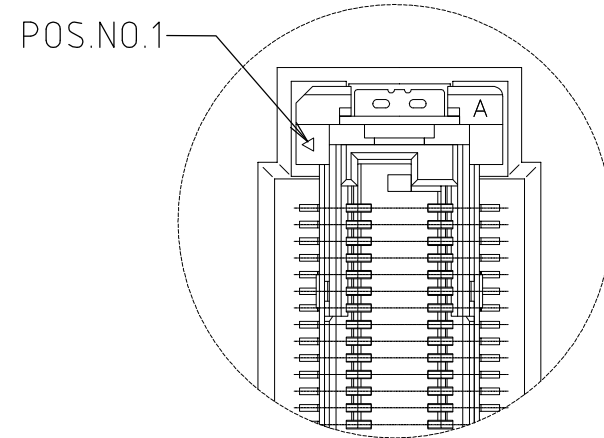
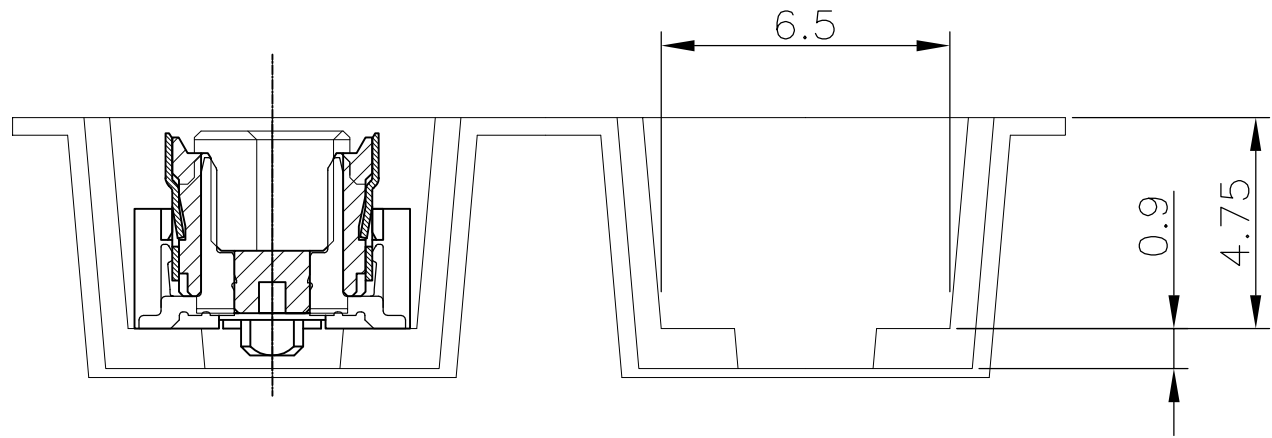
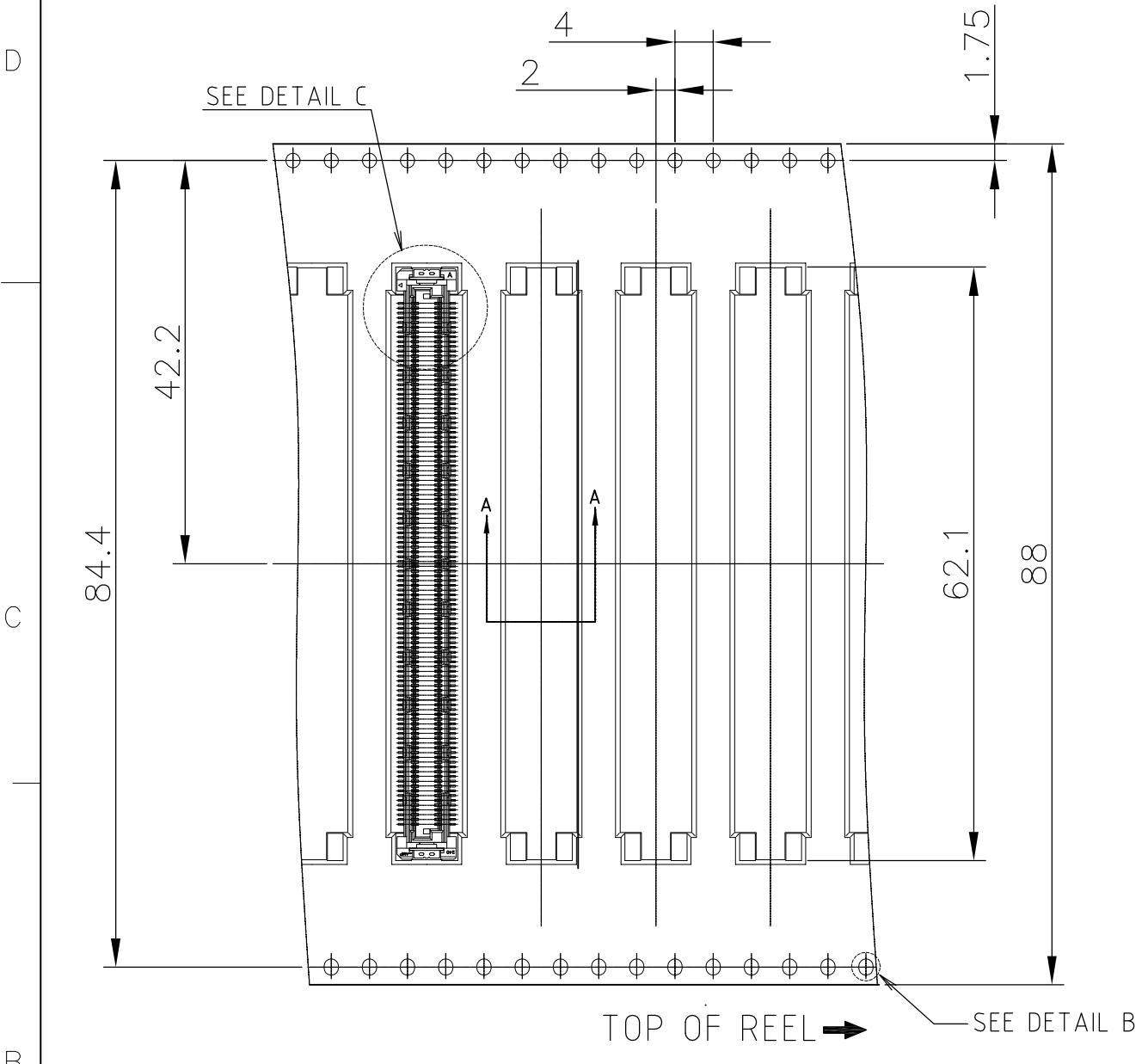
LOC	DIST	REVISIONS					
ES		P	LTR	DESCRIPTION	DATE	DWN	APVD
		C		REVISED PER ECR-12-013585	31JUL2012	S.W	S.Y



△	NO	3	30	75	220	9-1827253-6
△	NO	3	30	75	220	3-1827253-6
FINISH	SEALANT	ROW	QTY	A	POS.	PART NO.

THIS DRAWING IS A CONTROLLED DOCUMENT.		DWN	S.CH IEN	18MAY05	 TE Connectivity
DIMENSIONS: MM		CHK	T.FUTATSUGI	18MAY05	
		APVD	W.KODAMA	18MAY05	
TOLERANCES UNLESS OTHERWISE SPECIFIED:		PRODUCT SPEC		NAME	
0 PLC ± 0.3		108-5560		HARD TRAY PACKAGING	
1 PLC ± 0.3		APPLICATION SPEC		FH 0.5 BTB CONNECTOR 220POS	
2 PLC ± 0.3		WEIGHT		PLUG 5H WITH GROUND PLATE	
3 PLC ± 0.3		CUSTOMER DRAWING		SIZE	A3
4 PLC ± 0.3		SCALE		CAGE CODE	00779
ANGLES ± 3'		SHEET		DRAWING NO	C-1827253
FINISH		REV		RESTRICTED TO	
		1:2		1 OF 4	
		C			

LOC	DIST	REVISIONS					
ES		P	LTR	DESCRIPTION	DATE	DWN	APVD
		-		SEE SHEET 1	-	-	-



NO	93.5	89.5	800	220	4-1827253-6
FINISH	SEALANT SIF-200B	W2	W1	QTY/REEL	POS TAPING P/N

THIS DRAWING IS A CONTROLLED DOCUMENT.		DWN S.CHIENT 18MAY05	TE Connectivity ON TAPING EMBOSS FH 0.5 BTB CONNECTOR 220POS PLUG 5H WITH GROUND PLATE				
DIMENSIONS: MM		CHK T.FUTATSUGI 18MAY05					
TOLERANCES UNLESS OTHERWISE SPECIFIED:		APVD W.KODAMA 18MAY05					
0 PLC ± 0.3 1 PLC ± 0.3 2 PLC ± 0.3 3 PLC ± 0.3 4 PLC ± 0.3 ANGLES ± 3°		PRODUCT SPEC					
MATERIAL		FINISH	APPLICATION SPEC	SIZE	CAGE CODE	DRAWING NO	RESTRICTED TO
				A3	00779	C-1827253	
CUSTOMER DRAWING			SCALE 1:2	SHEET 2 of 4	REV C		

4

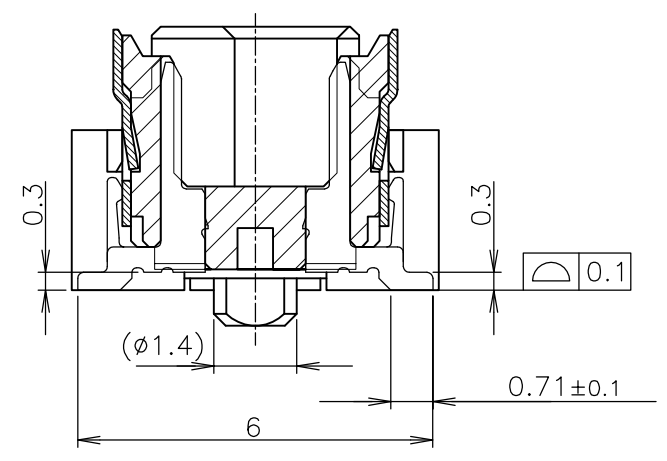
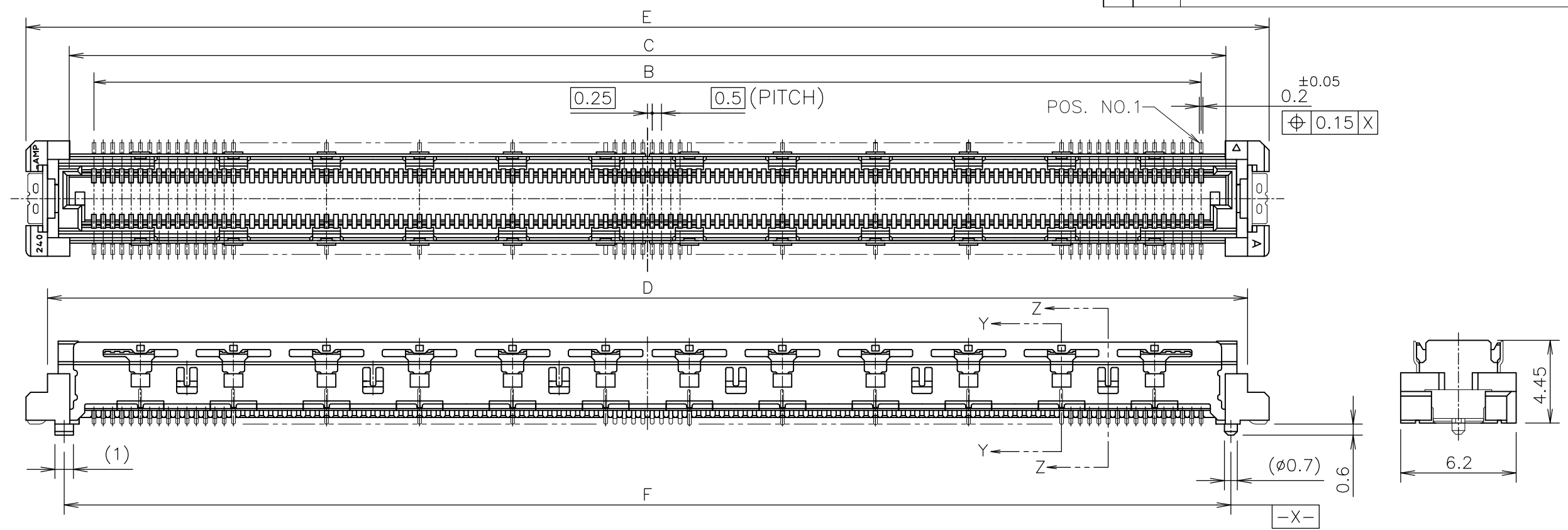
3

2

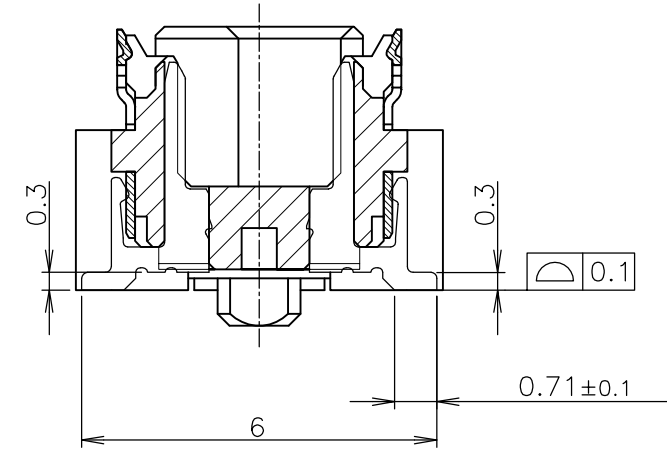
1

THIS DRAWING IS UNPUBLISHED. RELEASED FOR PUBLICATION ,2002.
 © COPYRIGHT 2002 By - ALL RIGHTS RESERVED.

LOC	DIST	REVISIONS					
ES		P	LTR	DESCRIPTION	DATE	DWN	APVD
		-		SEE SHEET 1	-	-	-



SECT. Z-Z
(SIGNAL POSITION)
(SCALE 8:1)



SECT. Y-Y
(GROUND POSITION)
(SCALE 8:1)

57.7	61.8	59.5	57.1	54.5	BLACK	220	9-1827253-6
57.7	61.8	59.5	57.1	54.5	BLACK	220	4-1827253-6
57.7	61.8	59.5	57.1	54.5	BLACK	220	3-1827253-6
F	E	D	C	B	CONN. COLOR	POS.	PART NO.

THIS DRAWING IS A CONTROLLED DOCUMENT.		DWN	STE TE Connectivity			
DIMENSIONS: MM		CHK				
TOLERANCES UNLESS OTHERWISE SPECIFIED:		APVD	NAME ASSEMBLY FH 0.5 BTB CONNECTOR 220POS PLUG 5H WITH GROUND PLATE			
0 PLC ± 0.3		PRODUCT SPEC				
1 PLC ± 0.3		APPLICATION SPEC	SIZE	CAGE CODE	DRAWING NO	RESTRICTED TO
2 PLC ± 0.3		WEIGHT	A3	00779	C-1827253	
3 PLC ± 0.3		CUSTOMER DRAWING	SCALE	SHEET	REV	
4 PLC ± 0.3			4:1	3 of 4	C	
ANGLES ± 3'						
MATERIAL	FINISH					
SEE NOTE 1	SEE NOTE 2					

4

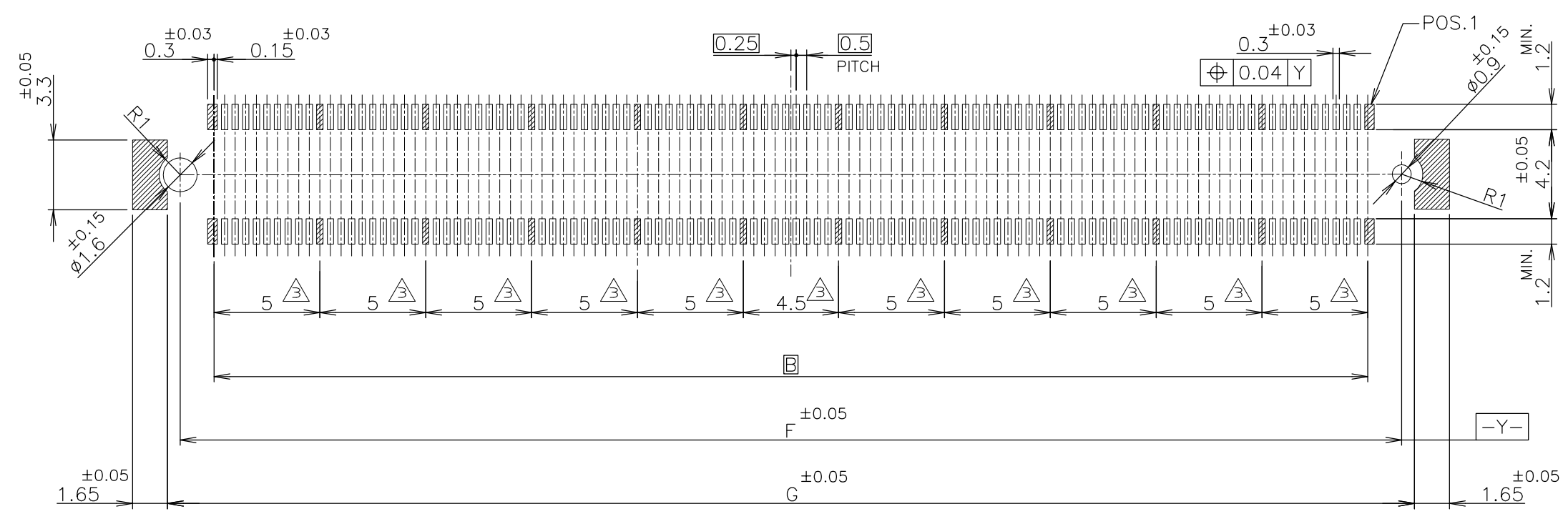
3

2

1

THIS DRAWING IS UNPUBLISHED. RELEASED FOR PUBLICATION ,2002.
 ALL RIGHTS RESERVED.

LOC	DIST	REVISIONS					
ES		P	LTR	DESCRIPTION	DATE	DWN	APVD
		-		SEE SHEET 1	-	-	-



REFERENCE P.C.BOARD LAYOUT OF CONNECTOR

NOTES

- ⚠ MATERIAL ; HOUSING: HIGH TEMP THERMO PLASTIC UL94V-0
CONTACT: COPPER ALLOY
SOLDER PEG : COPPER ALLOY
- ⚠ FINISH ; CONTACT : UNDER PL. Ni 0.0013mm MIN ALL OVER
CONTACT AREA 0.0002mm MIN Au PL.
SOLDERING AREA 0.00005mm MIN Au PL.
SOLDER PEG: TIN PL. 0.0001mm MIN OVER
UNDER PL. Ni OR COPPER 0.0013mm MIN ALL OVER
- ⚠ THIS POSITION IS GROUND CIRCUIT.
- ⚠ HIGH TEMPERATURE VERSION.
- ⚠ FINISH ; CONTACT : UNDER PL. Ni 0.0013mm MIN ALL OVER
CONTACT AREA 0.00076mm MIN Au PL.
SOLDERING AREA 0.00005mm MIN Au PL.
SOLDER PEG: TIN PL. 0.0001mm MIN OVER
UNDER PL. Ni OR COPPER 0.0013mm MIN ALL OVER

59.5	220	9-1827253-6
59.5	220	4-1827253-6
59.5	220	3-1827253-6
G	POS.	PART NO.

THIS DRAWING IS A CONTROLLED DOCUMENT.		DWN	STE TE Connectivity	
DIMENSIONS: MM		CHK		
TOLERANCES UNLESS OTHERWISE SPECIFIED:		APVD	NAME	
0 PLC ± 0.3		PRODUCT SPEC	ASSEMBLY	
1 PLC ± 0.3		APPLICATION SPEC	FH 0.5 BTB CONNECTOR 220POS	
2 PLC ± 0.3		WEIGHT	PLUG 5H WITH GROUND PLATE	
3 PLC ± 0.3		CUSTOMER DRAWING	SIZE	CAGE CODE
4 PLC ± 0.3			A3	00779
ANGLES ± 3'			DRAWING NO	RESTRICTED TO
FINISH			C-1827253	
		SCALE	4:1	SHEET 4 OF 4
				REV C