



Chipsmall Limited consists of a professional team with an average of over 10 year of expertise in the distribution of electronic components. Based in Hongkong, we have already established firm and mutual-benefit business relationships with customers from,Europe,America and south Asia,supplying obsolete and hard-to-find components to meet their specific needs.

With the principle of “Quality Parts,Customers Priority,Honest Operation,and Considerate Service”,our business mainly focus on the distribution of electronic components. Line cards we deal with include Microchip,ALPS,ROHM,Xilinx,Pulse,ON,Everlight and Freescale. Main products comprise IC,Modules,Potentiometer,IC Socket,Relay,Connector.Our parts cover such applications as commercial,industrial, and automotives areas.

We are looking forward to setting up business relationship with you and hope to provide you with the best service and solution. Let us make a better world for our industry!



Contact us

Tel: +86-755-8981 8866 Fax: +86-755-8427 6832

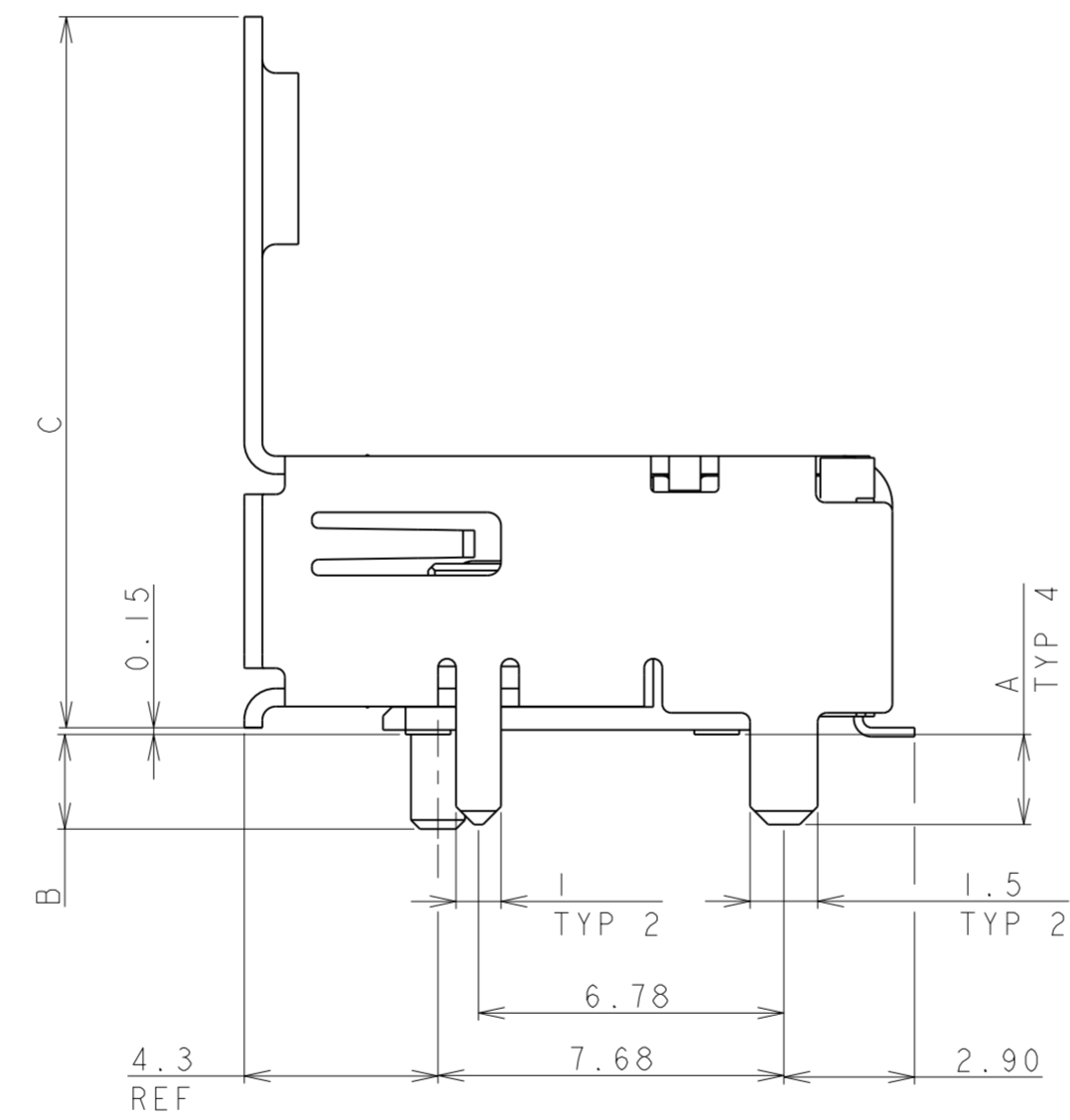
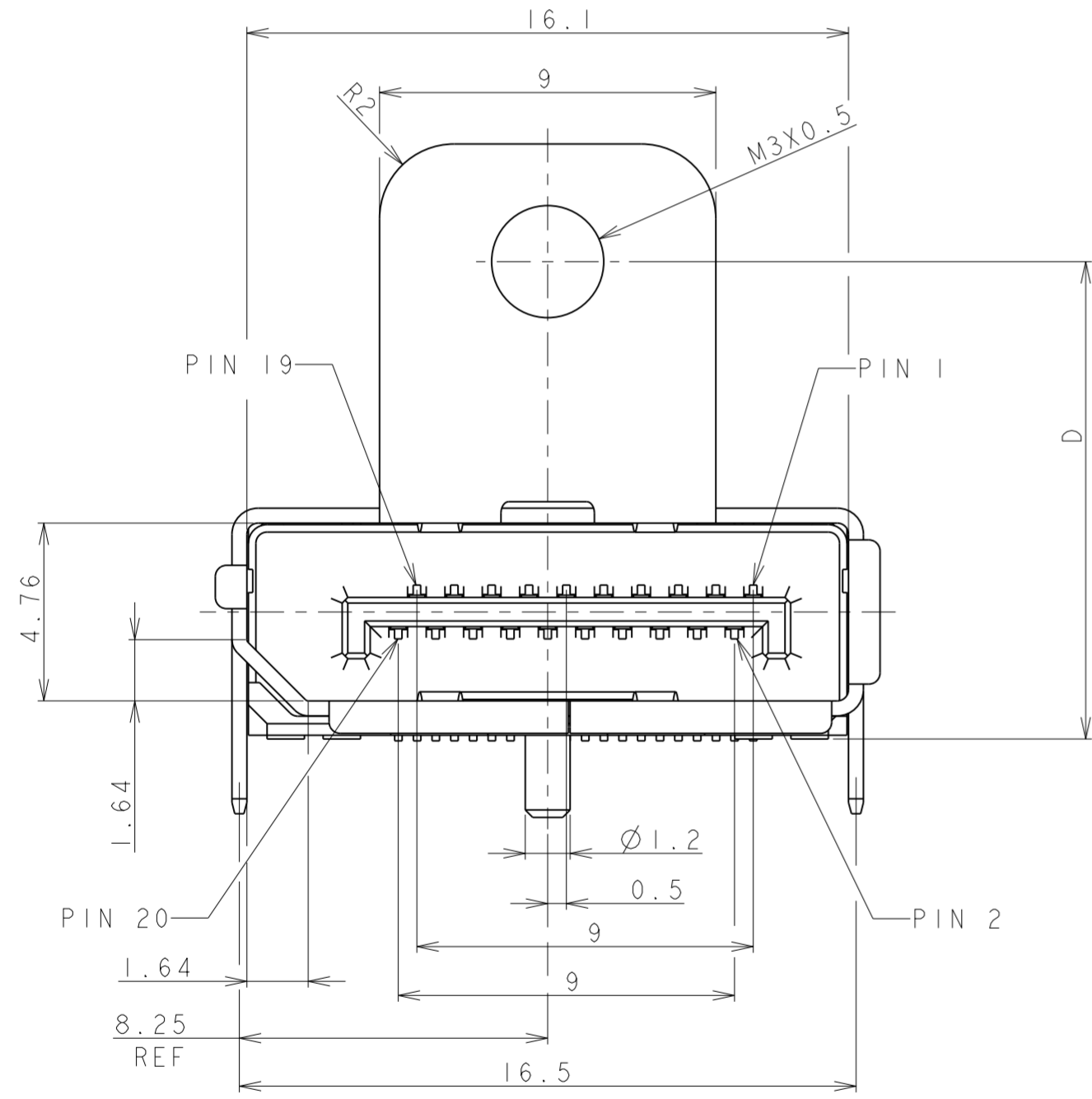
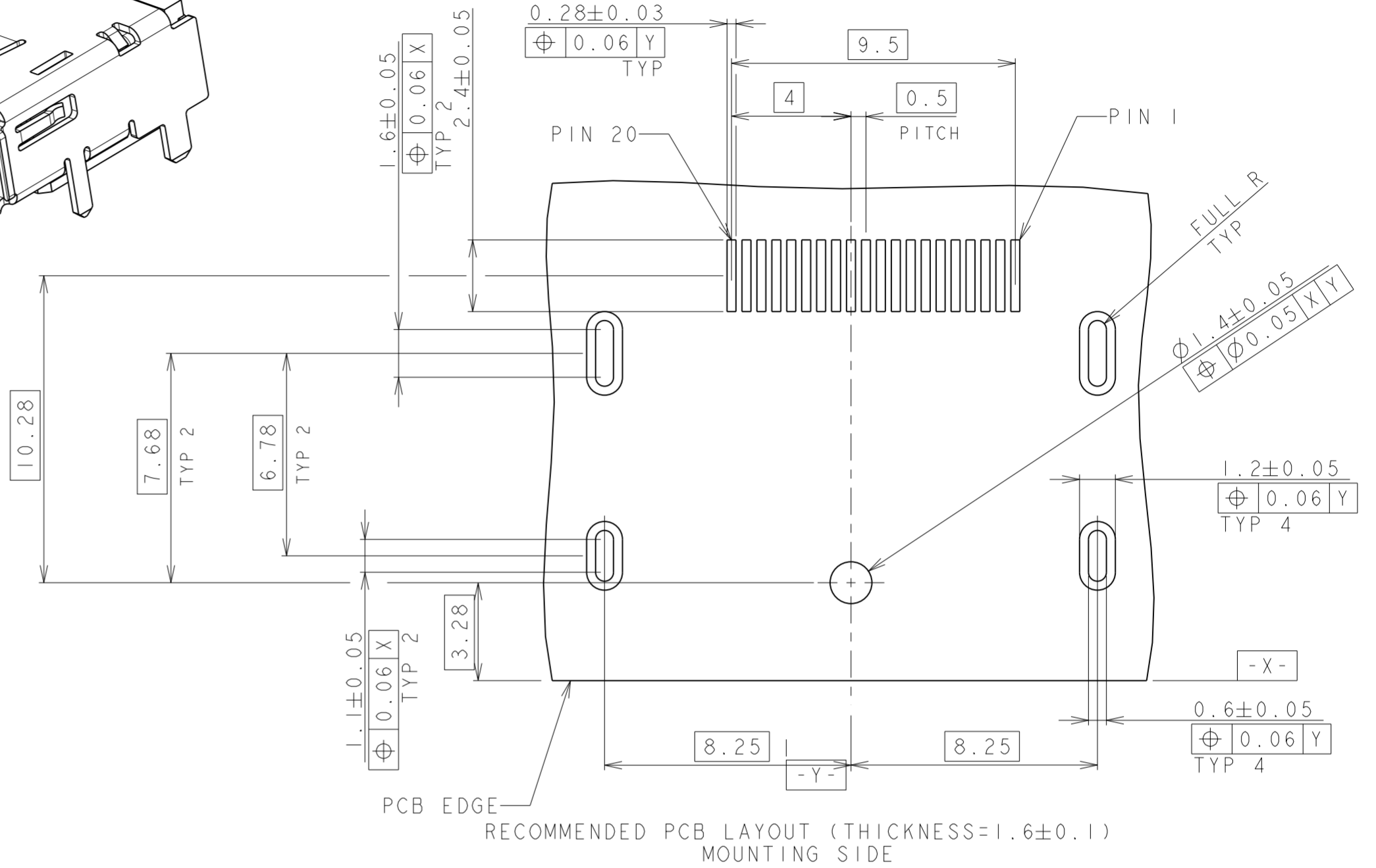
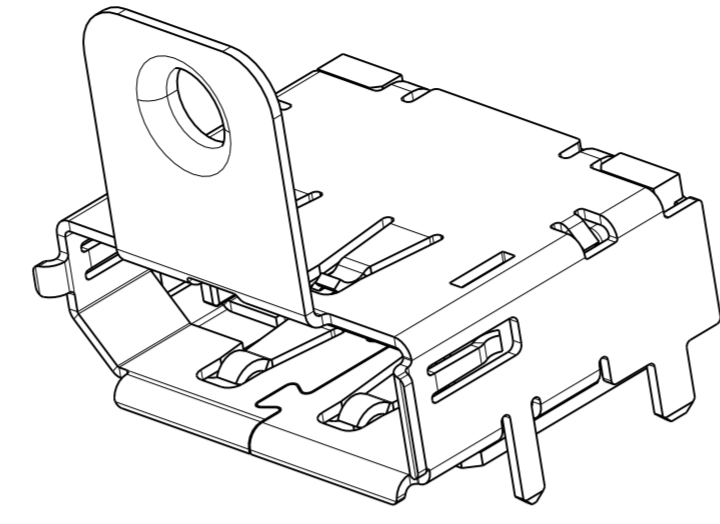
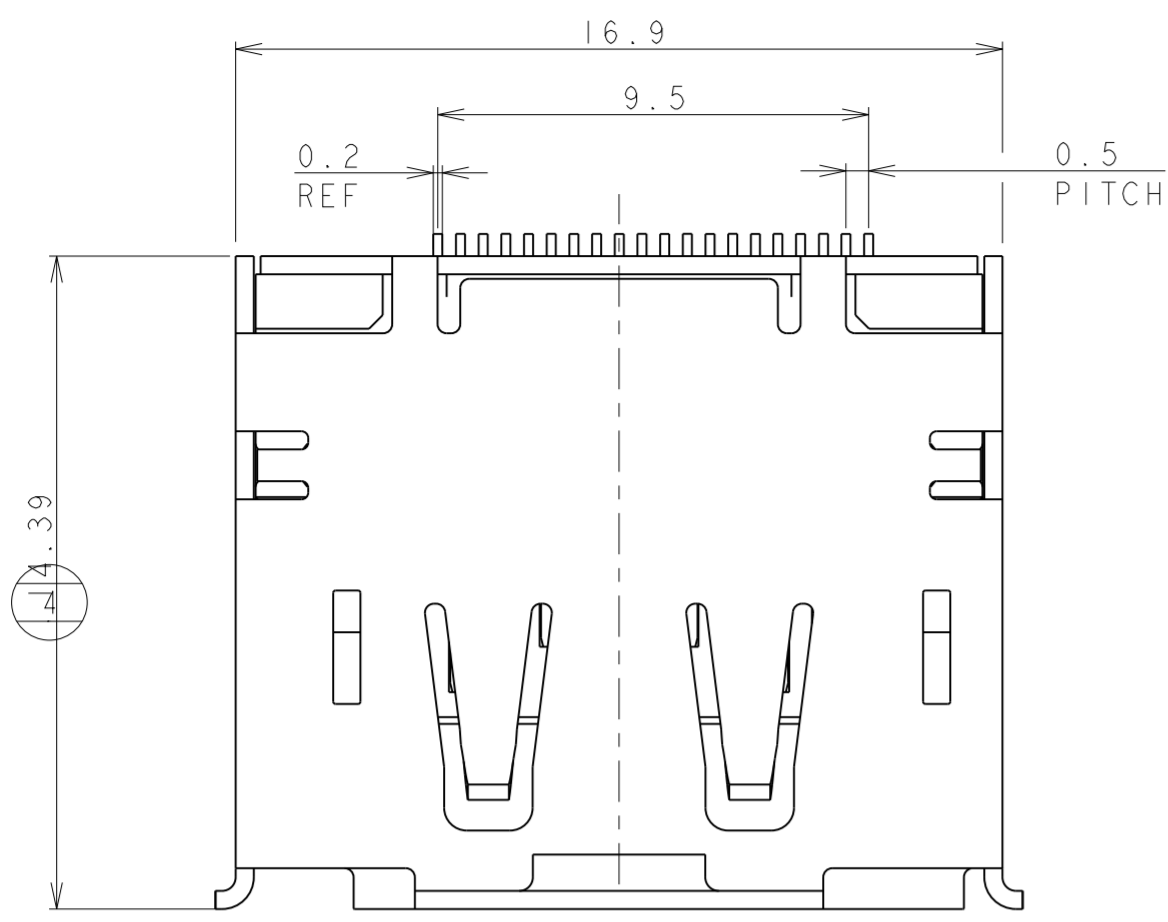
Email & Skype: info@chipsmall.com Web: www.chipsmall.com

Address: A1208, Overseas Decoration Building, #122 Zhenhua RD., Futian, Shenzhen, China



THIS DRAWING IS UNPUBLISHED. RELEASED FOR PUBLICATION 2008
 © COPYRIGHT 2008 BY TYCO ELECTRONICS CORPORATION. ALL RIGHTS RESERVED.

LOC		DIST		REVISIONS			
P	LTR	DESCRIPTION	DATE	DWN	APVD		
A		RELEASED	15FEB08	Y.H	T.K		
B		ECR-09-025925	23MAY09	V.P	H.K.		
C		ECR-11-002924	12JAN11	U.C.	H.K.		



PROPOSED DESIGN
 PRODUCT NUMBER WILL BE
 ASSIGNED WHEN RELEASED
 DESIGN IS SUBJECT TO
 CHANGE WITHOUT NOTICE

1. MATERIAL:
 HOUSING: HIGH TEMPERATURE THERMAL PLASTIC, BLACK, UL94V-0.
 CONTACT: COPPER ALLOY.
 SHELL: COPPER ALLOY.
2. MYLAR: POLYIMIDE FILM.
3. FINISH:
 CONTACT: CONTACT AREA: 0.76 MINIMUM MICRON GOLD PLATING OVER 1.27 MINIMUM MICRON NICKEL PLATING ALL
 SOLDER TAIL AREA: 2.54 MINIMUM MICRON TIN PLATING.
 SHELL: NICKEL PLATING SOLDERABILITY IS WORSE THAN MATTE TIN PLATING IN SOME CONDITION, IN SUCH CASE, PLEASE SELECT MATTE TIN
3. THIS PRODUCT IS PACKED IN TRAY.

③	YES	NICKEL	9.5	12.5	2.1	2	9-2040204-1
	YES	NICKEL	12.78	15.78	2.1	2	5-2040204-1
	NO	MATTE TIN	12.78	15.78	1.9	1.8	1-2040204-5
	NO	NICKEL	12.78	15.78	1.9	1.8	1-2040204-1
	NO	MATTE TIN	12.78	15.78	2.1	2	2040204-5
	NO	NICKEL	12.78	15.78	2.1	2	2040204-1
	MYLAR	SHELL PLATING	DIM D	DIM C	DIM B	DIM A	PART NUMBER

THIS DRAWING IS A CONTROLLED DOCUMENT FOR TYCO ELECTRONICS CORPORATION. IT IS SUBJECT TO CHANGE AND THE CONTROLLING ENGINEERING ORGANIZATION SHOULD BE CONTACTED FOR THE LATEST REVISION.

DWN Y. HIRATA 15FEB2008
 CHK T. KUSUHARA 15FEB2008
 APVD T. KUSUHARA 15FEB2008

Tyco Electronics Corporation
 Kawasaki, Japan

NAME: RECEPTACLE ASSEMBLY
 DISPLAYPORT RA SMT STD TH-LEG
 WITH FLANGE

SIZE: A2 CAGE CODE: 0779 DRAWING NO: 2040204 RESTRICTED TO: C

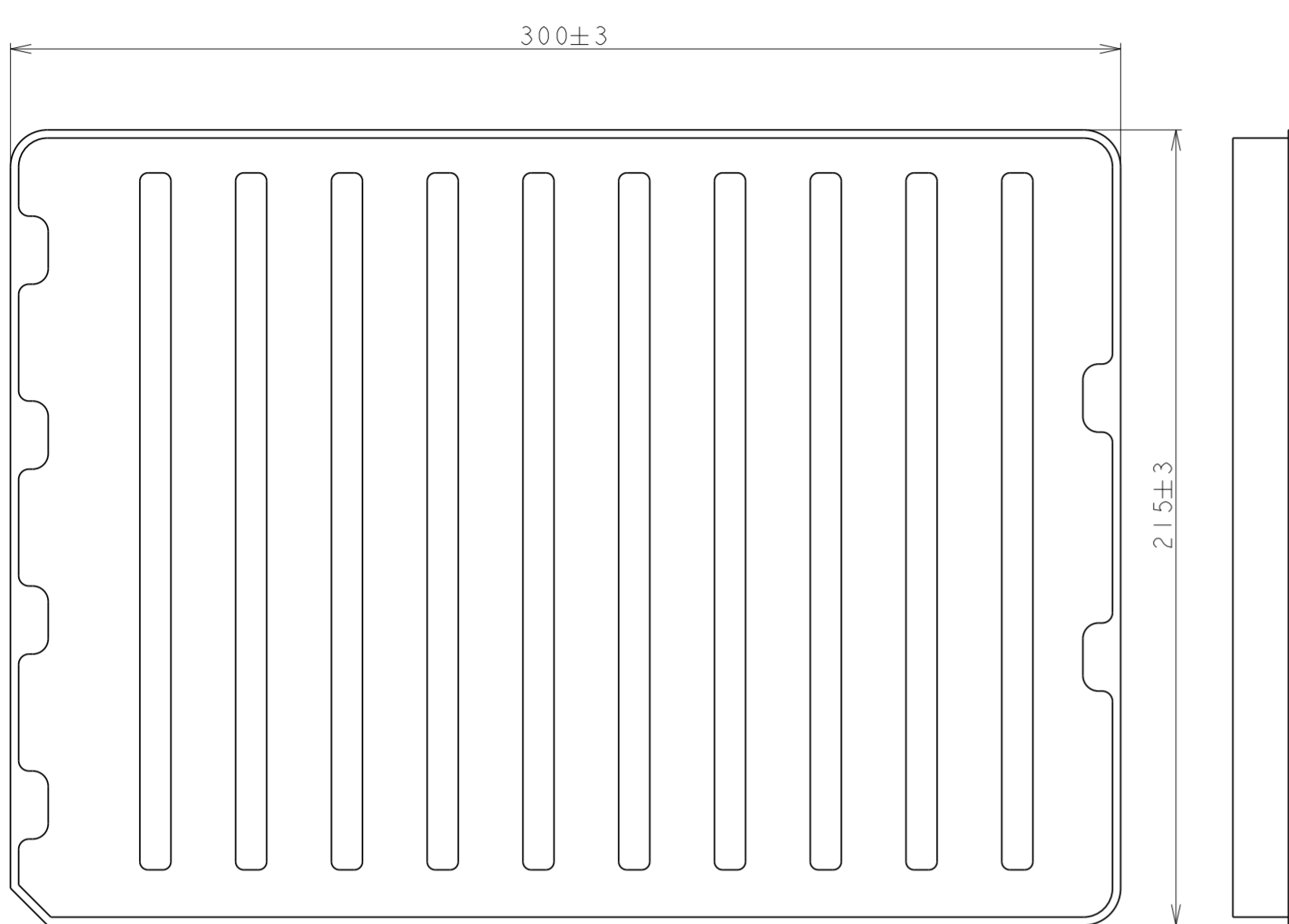
SCALE: 4:1 SHEET 1 OF 2 REV C

MATERIAL: DIMENSIONS: mm TOLERANCES UNLESS OTHERWISE SPECIFIED: 0 PLC ±0.3, 1 PLC ±0.3, 2 PLC ±0.3, 3 PLC ±0.3, 4 PLC ±0.3 ANGLES FINISH ±2°

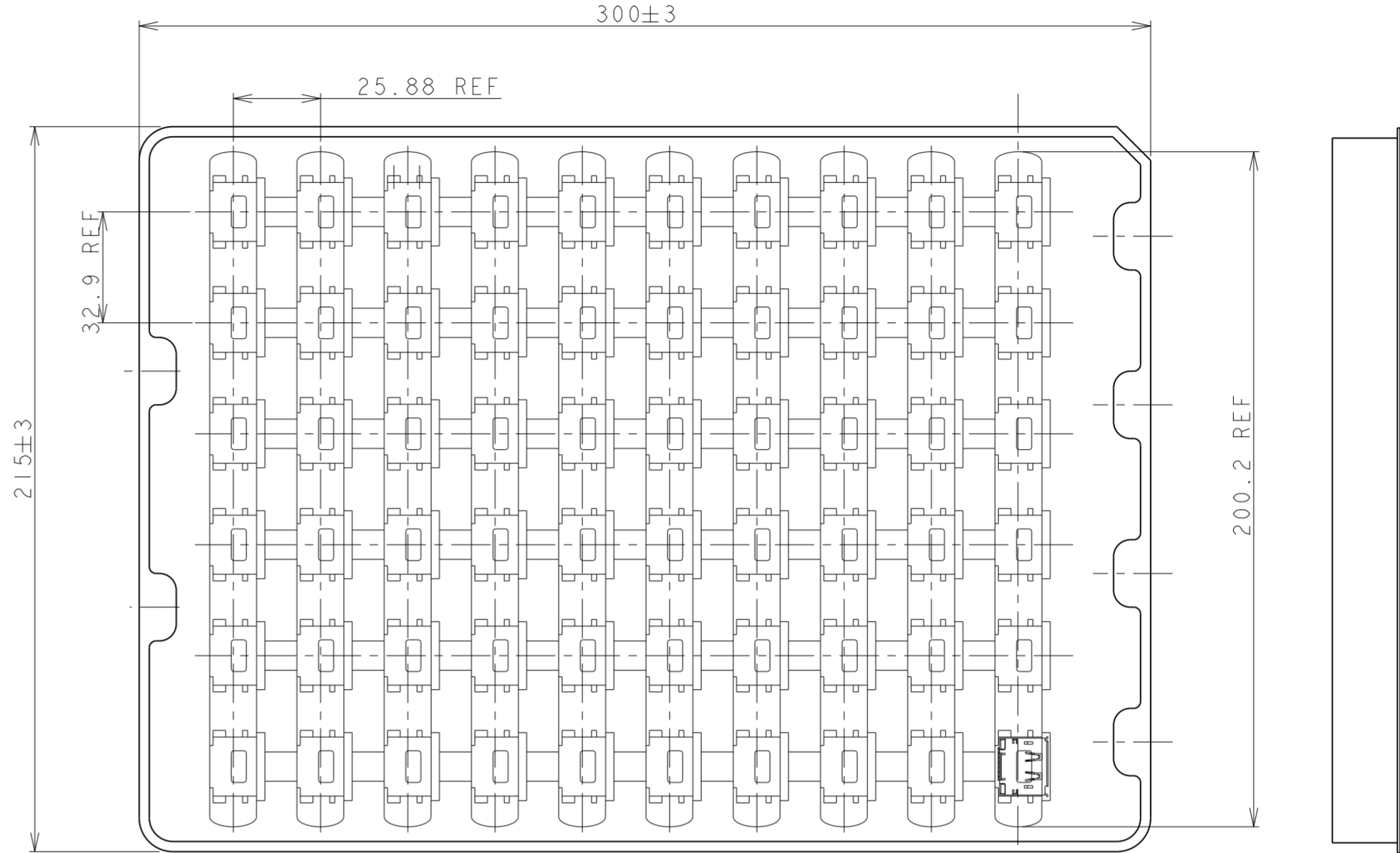
PRODUCT SPEC: 108-78515 APPLICATION SPEC: WEIGHT: CUSTOMER DRAWING

THIS DRAWING IS UNPUBLISHED. RELEASED FOR PUBLICATION 2008
 © COPYRIGHT 2008 BY TYCO ELECTRONICS CORPORATION. ALL RIGHTS RESERVED.

LOC		DIST		REVISIONS			
P	LTR	DESCRIPTION	DATE	DWN	APVD		
-	-	SEE SHEET 1	-	-	-		



UPPER TARY



LOWER TARY

PACKAGE TARY

<small>THIS DRAWING IS A CONTROLLED DOCUMENT FOR TYCO ELECTRONICS CORPORATION IT IS SUBJECT TO CHANGE AND THE CONTROLLING ENGINEERING ORGANIZATION SHOULD BE CONTACTED FOR THE LATEST REVISION.</small>		DWN	Tyco Electronics Corporation Kawasaki, Japan	
DIMENSIONS: mm		CHK	NAME	
<small>TOLERANCES UNLESS OTHERWISE SPECIFIED:</small> 0 PLC ± 1 PLC ± 2 PLC ± 3 PLC ± 4 PLC ± ANGLES ± FINISH		APVD	RECEPTACLE ASSEMBLY DISPLAYPORT RA SMT STD TH-LEG WITH FLANGE	
MATERIAL		PRODUCT SPEC	SIZE	RESTRICTED TO
		APPLICATION SPEC	A20779	C-2040204
		WEIGHT	CAGE CODE	DRAWING NO
		CUSTOMER DRAWING	A20779	C-2040204
		SCALE	NTS	SHEET 2 OF 2
				REV C