



Chipsmall Limited consists of a professional team with an average of over 10 year of expertise in the distribution of electronic components. Based in Hongkong, we have already established firm and mutual-benefit business relationships with customers from,Europe,America and south Asia,supplying obsolete and hard-to-find components to meet their specific needs.

With the principle of "Quality Parts,Customers Priority,Honest Operation,and Considerate Service",our business mainly focus on the distribution of electronic components. Line cards we deal with include Microchip,ALPS,ROHM,Xilinx,Pulse,ON,Everlight and Freescale. Main products comprise IC,Modules,Potentiometer,IC Socket,Relay,Connector.Our parts cover such applications as commercial,industrial, and automotives areas.

We are looking forward to setting up business relationship with you and hope to provide you with the best service and solution. Let us make a better world for our industry!



## Contact us

Tel: +86-755-8981 8866 Fax: +86-755-8427 6832

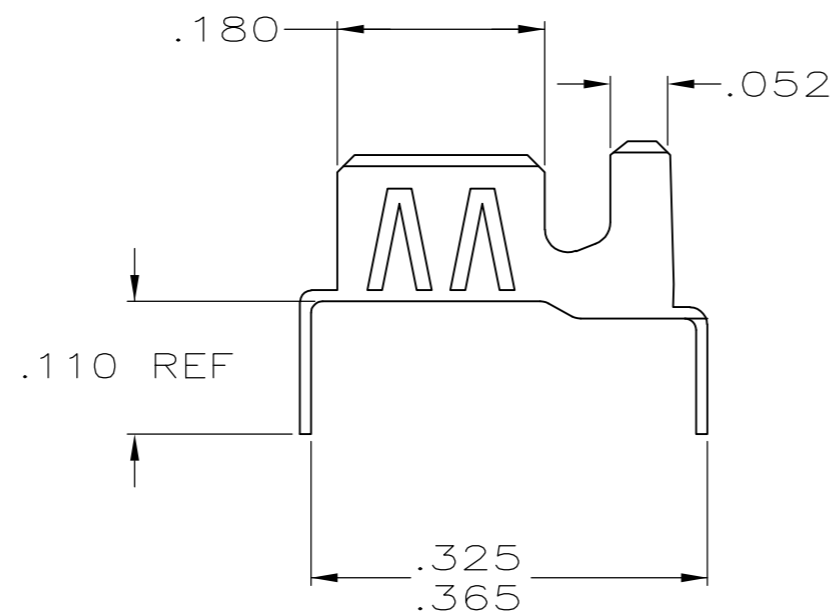
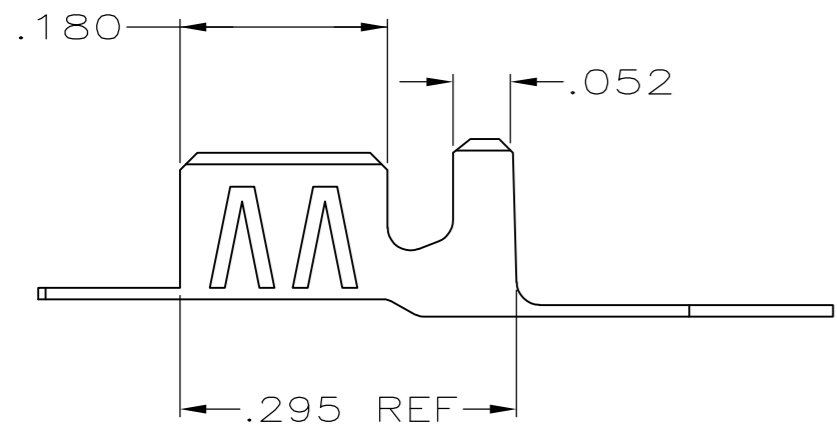
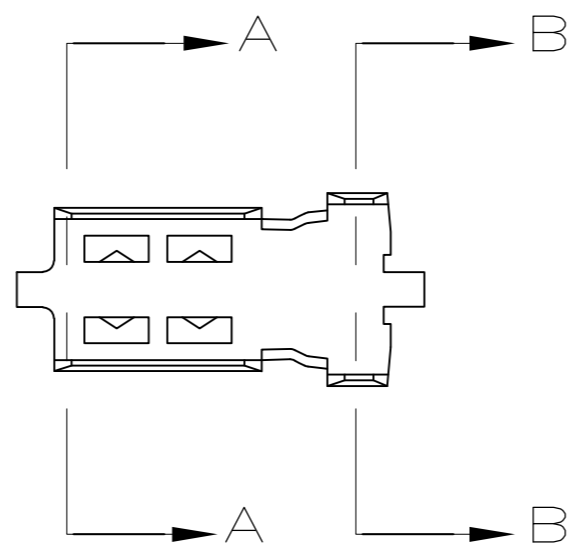
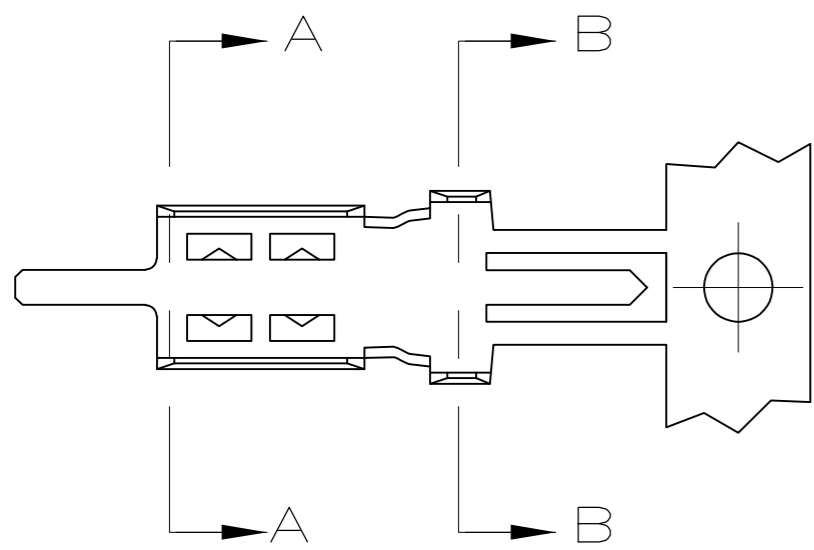
Email & Skype: info@chipsmall.com Web: www.chipsmall.com

Address: A1208, Overseas Decoration Building, #122 Zhenhua RD., Futian, Shenzhen, China



THIS DRAWING IS UNPUBLISHED. RELEASED FOR PUBLICATION  
 © COPYRIGHT - By - ALL RIGHTS RESERVED.

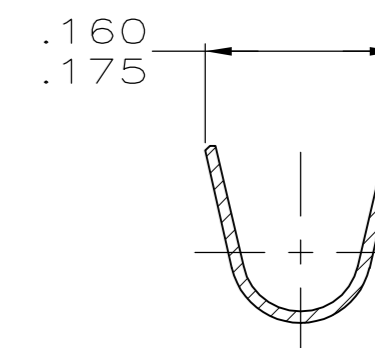
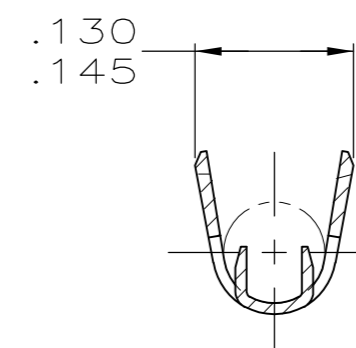
| LOC |     | DIST        |                           | REVISIONS |         |      |     |
|-----|-----|-------------|---------------------------|-----------|---------|------|-----|
| P   | LTR | DESCRIPTION |                           | DATE      | DWN     | APVD |     |
| AJ  | 16  | N1          | REVISED PER ECO-11-005030 |           | 11MAR11 | RK   | HMR |



VIEW C

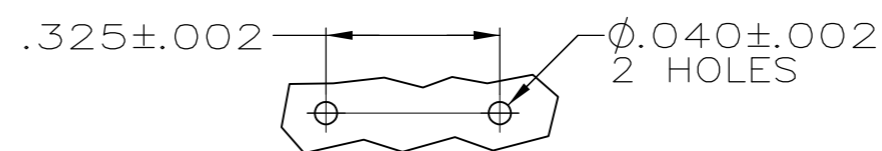
VIEW D

1. ACCEPTS COAX CABLE WITH .095-.110 O.D. JACKETS AND .055-.065 DIELECTRIC O.D. EXAMPLE: RG-174 AND RG-316
2. TIN PLATE PER ASTM-B-545.
3. INSTRUCTION SHEET NO.: 408-2472-2.
4. ON STRIP
5. ON STRIP, LEGS MUST BE BENT MANUALLY AFTER CRIMPING.
6. LOOSE PIECE PARTS WITH PREFORMED LEGS.
7. BRASS PER ASTM-B-36.
8. TIN-LEAD PLATE PER ASTM-B-545.

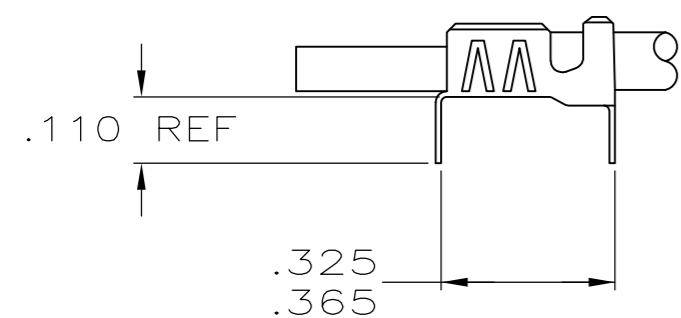


SECTION A-A

SECTION B-B

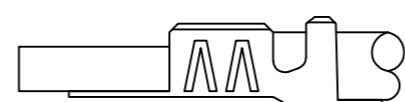


PCB LAYOUT



AS APPLIED BY APPLICATOR

VIEW E



AS APPLIED BY APPLICATOR

VIEW F

| 2      | D    | 6    | 9-226176-2  |
|--------|------|------|-------------|
| 2      | C&F  | 5    | 9-226176-1  |
| 2      | C&E  | 4    | 9-226176-0  |
| 8      | D    | 6    | 226176-4    |
| 8      | C&F  | 5    | 226176-3    |
| 8      | C&E  | 4    | 226176-2    |
| FINISH | VIEW | TYPE | PART NUMBER |

|  |  |                               |                             |           |
|--|--|-------------------------------|-----------------------------|-----------|
| THIS DRAWING IS A CONTROLLED DOCUMENT. |  | DWN<br>M. OBRINE<br>30JUN99   | TE Connectivity             |           |
| DIMENSIONS: INCHES                     |  | CHK<br>M. OBRINE<br>30JUN99   |                             |           |
| TOLERANCES UNLESS OTHERWISE SPECIFIED: |  | APVD<br>J. CABARLO<br>30JUN99 | NAME                        |           |
| 0 PLC ± -                              |  | PRODUCT SPEC                  | BRAID-PIC                   |           |
| 1 PLC ± -                              |  | APPLICATION SPEC              | P.C. BOARD GROUND TERMINAL  |           |
| 2 PLC ± -                              |  |                               | SINGLE CRIMP-SINGLE CONTACT |           |
| 3 PLC ± .008                           |  |                               | SIZE                        | CAGE CODE |
| 4 PLC ± -                              |  |                               | A2                          | 00779     |
| ANGLES ± -                             |  | WEIGHT                        | DRAWING NO                  |           |
| FINISH                                 |  | .007 OZ                       | C=226176                    |           |
| SEE NOTE 7                             |  | CUSTOMER DRAWING              | SCALE                       | SHEET     |
|  |  |                               | 6:1                         | 1 of 1    |
|  |  |                               | REV                         | N1        |