



Chipsmall Limited consists of a professional team with an average of over 10 year of expertise in the distribution of electronic components. Based in Hongkong, we have already established firm and mutual-benefit business relationships with customers from,Europe,America and south Asia,supplying obsolete and hard-to-find components to meet their specific needs.

With the principle of “Quality Parts,Customers Priority,Honest Operation,and Considerate Service”,our business mainly focus on the distribution of electronic components. Line cards we deal with include Microchip,ALPS,ROHM,Xilinx,Pulse,ON,Everlight and Freescale. Main products comprise IC,Modules,Potentiometer,IC Socket,Relay,Connector.Our parts cover such applications as commercial,industrial, and automotives areas.

We are looking forward to setting up business relationship with you and hope to provide you with the best service and solution. Let us make a better world for our industry!



Contact us

Tel: +86-755-8981 8866 Fax: +86-755-8427 6832

Email & Skype: info@chipsmall.com Web: www.chipsmall.com

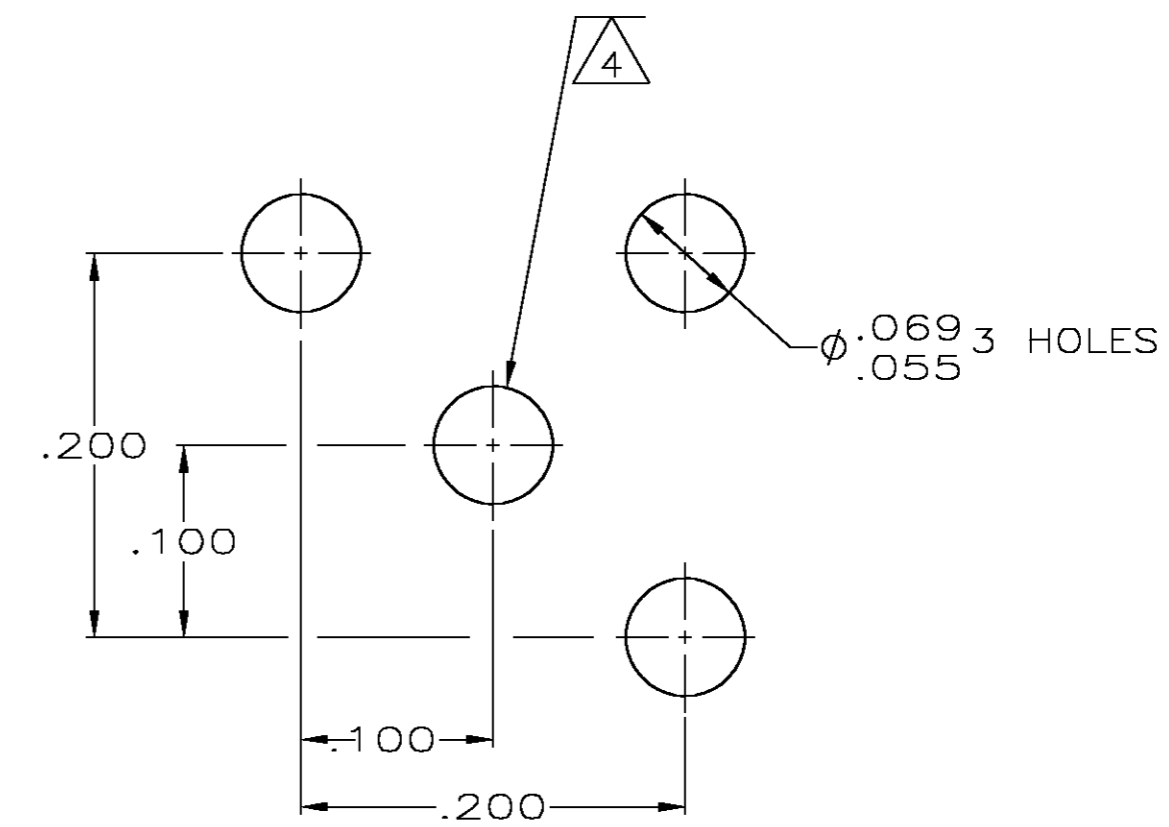
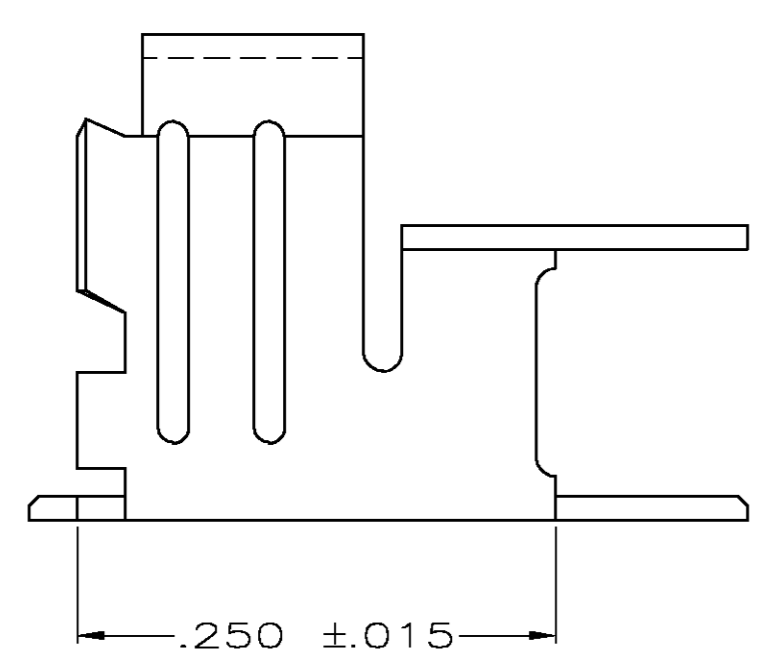
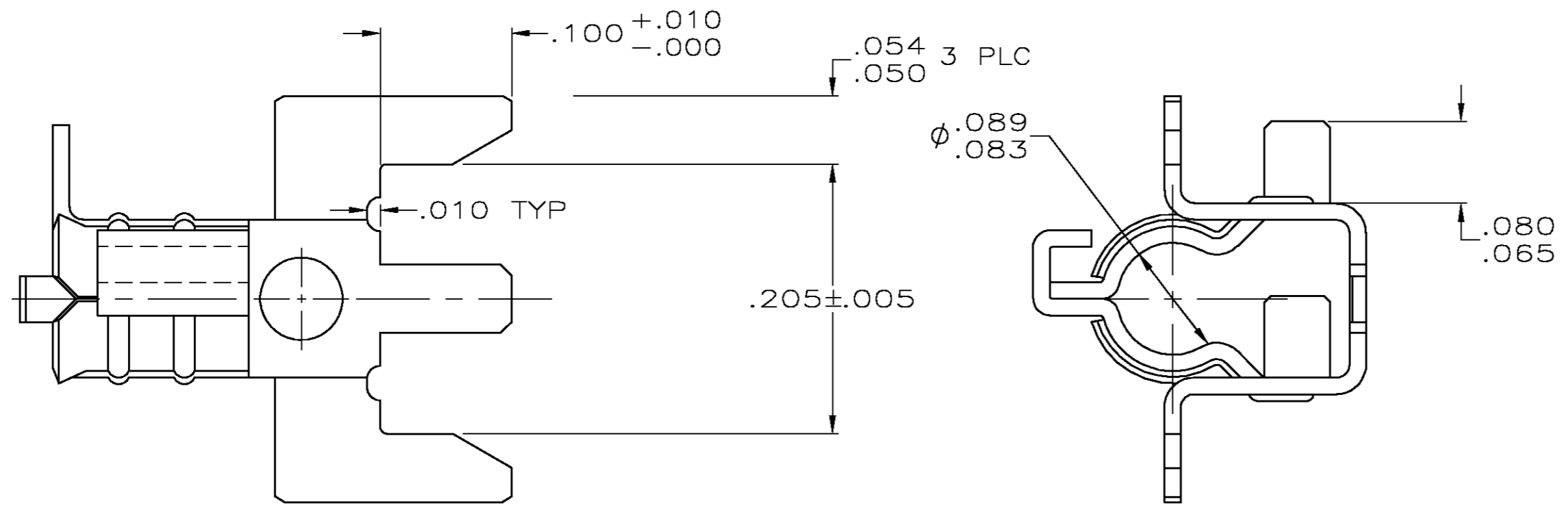
Address: A1208, Overseas Decoration Building, #122 Zhenhua RD., Futian, Shenzhen, China



THIS DRAWING IS UNPUBLISHED. RELEASED FOR PUBLICATION
 © COPYRIGHT BY TYCO ELECTRONICS CORPORATION. ALL RIGHTS RESERVED.

LOC	DIST	REVISIONS			
P	LTR	DESCRIPTION	DATE	DWN	APVD
AJ	16	K	RDW & REV PER 0514-0114-04	05MAY04	JDP JL

1. MATES WITH 226286-2 OR -3, CRIMPED TO CABLE
2. 60/40 MATTE TIN-LEAD PL PER MIL-P-81728
3. NICKEL PL PER QQ-N-290
4. REFERENCE AMP MINIATURE SPRING SOCKET, 330808, FOR RECOMMENDED HOLE DIAMETERS
5. INSTRUCTION SHEET NO.: 408-2472-1
6. TIN PLATE PER ASTM B-545.



RECOMMENDED MOUNTING HOLE PATTERN

6	9-226287-0
2	226287-2
FINISH	PART NUMBER

THIS DRAWING IS A CONTROLLED DOCUMENT.		DWN	P. ALSEDEK	4-20-90	 Tyco Electronics Corporation Harrisburg, Pa 17105-3608
DIMENSIONS: INCHES		CHK	M. SNEED	4-24-90	
TOLERANCES UNLESS OTHERWISE SPECIFIED:		APVD	M. SNEED	04-24-90	NAME
0 PLC ± -		PRODUCT SPEC			
1 PLC ± -		APPLICATION SPEC			SIZE
2 PLC ± -		FINISH			CAGE CODE
3 PLC ± .008		WEIGHT	.006 oz		DRAWING NO
4 PLC ± -		CUSTOMER DRAWING			RESTRICTED TO
ANGLES ± -		SCALE	10:1		SHEET
FINISH		SCALE	10:1		OF
		SHEET	1		1
		REV	K		

226287

A