



Chipsmall Limited consists of a professional team with an average of over 10 year of expertise in the distribution of electronic components. Based in Hongkong, we have already established firm and mutual-benefit business relationships with customers from,Europe,America and south Asia,supplying obsolete and hard-to-find components to meet their specific needs.

With the principle of “Quality Parts,Customers Priority,Honest Operation,and Considerate Service”,our business mainly focus on the distribution of electronic components. Line cards we deal with include Microchip,ALPS,ROHM,Xilinx,Pulse,ON,Everlight and Freescale. Main products comprise IC,Modules,Potentiometer,IC Socket,Relay,Connector.Our parts cover such applications as commercial,industrial, and automotives areas.

We are looking forward to setting up business relationship with you and hope to provide you with the best service and solution. Let us make a better world for our industry!



Contact us

Tel: +86-755-8981 8866 Fax: +86-755-8427 6832

Email & Skype: info@chipsmall.com Web: www.chipsmall.com

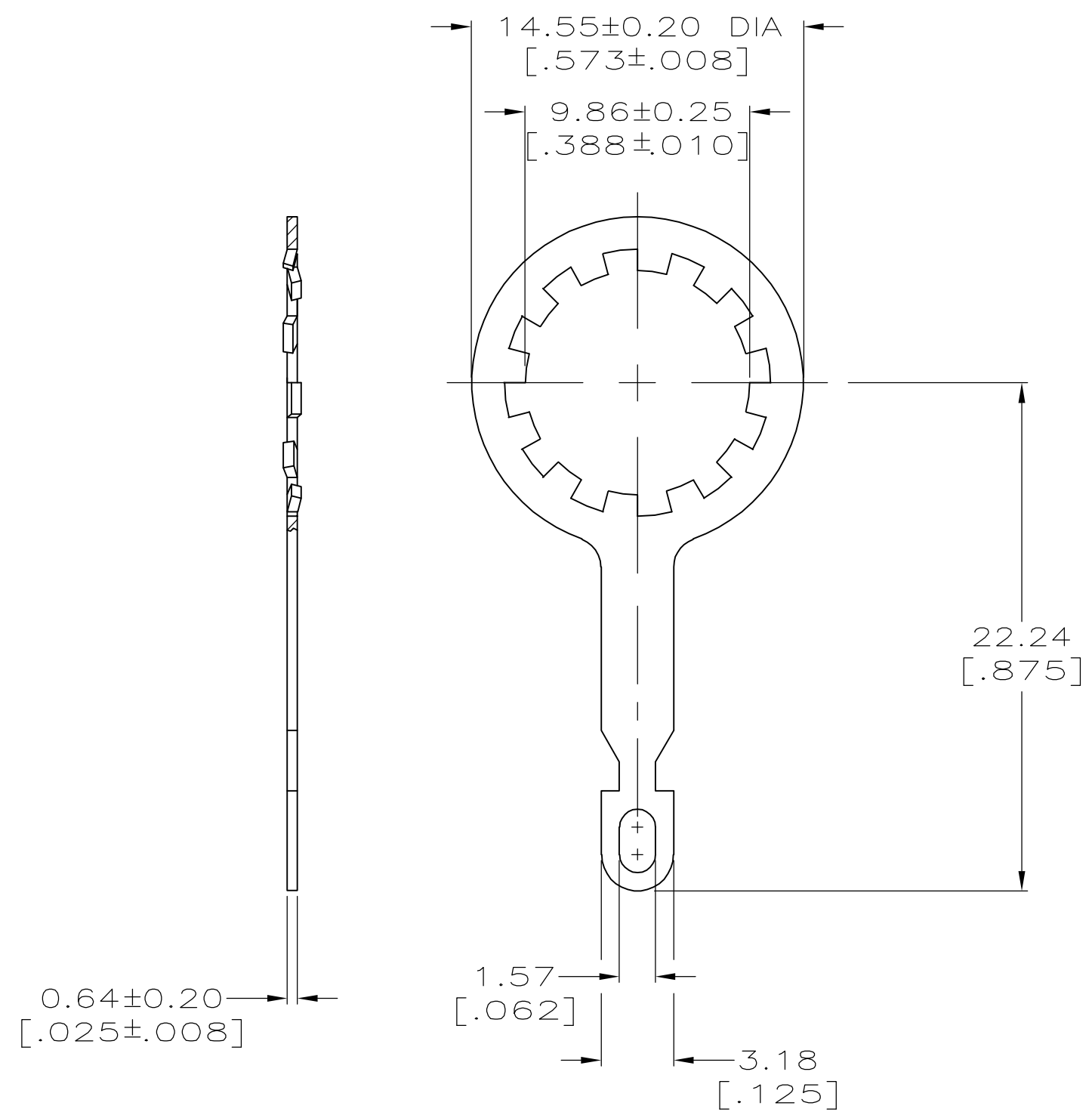
Address: A1208, Overseas Decoration Building, #122 Zhenhua RD., Futian, Shenzhen, China



THIS DRAWING IS UNPUBLISHED. RELEASED FOR PUBLICATION
 © COPYRIGHT BY TYCO ELECTRONICS CORPORATION. ALL RIGHTS RESERVED.

LOC	DIST	REVISIONS					
		P	LTR	DESCRIPTION	DATE	DWN	APVD
AJ	16		F1	REVISED PER ECO-06-018704	06SEP2006	MC	JH

- ① BRASS PER ASTM-B-36
- ② TIN-LEAD PLATE PER MIL-P-81728
3.81 μm [.000150] MINIMUM THICK.
- ③ SEE SEPERATE RESTRICTED CUSTOMER DRAWING WITH THIS PART NUMBER.
- ④ TIN PLATE PER ASTM-B-545
3.81 μm [.000150] MINIMUM THICK.



OBSOLETE	④	9-227260-0
	-	227260-3
	②	227260-2
	FINISH	PART NUMBER

THIS DRAWING IS A CONTROLLED DOCUMENT.		DWN J. LIPPERT 5-23-94	Tyco Electronics Corporation Harrisburg, PA 17105-3608			
DIMENSIONS: MM[INCHES]		CHK D. TAYLOE 5-23-94				
TOLERANCES UNLESS OTHERWISE SPECIFIED:		APVD D. TAYLOE 05-29-94	NAME LOCKWASHER, TERMINAL			
0 PLC ± - 1 PLC ± - 2 PLC ± - 3 PLC ± 0.41 [.016] 4 PLC ± - ANGLES ± -		PRODUCT SPEC -	APPLICATION SPEC -			
MATERIAL ①	FINISH SEE TABLE	WEIGHT .021 OZ	SIZE A3	CAGE CODE 00779	DRAWING NO C-227260	RESTRICTED TO -
CUSTOMER DRAWING			SCALE 4:1	SHEET 1 OF 1	REV F1	