



Chipsmall Limited consists of a professional team with an average of over 10 year of expertise in the distribution of electronic components. Based in Hongkong, we have already established firm and mutual-benefit business relationships with customers from,Europe,America and south Asia,supplying obsolete and hard-to-find components to meet their specific needs.

With the principle of “Quality Parts,Customers Priority,Honest Operation,and Considerate Service”,our business mainly focus on the distribution of electronic components. Line cards we deal with include Microchip,ALPS,ROHM,Xilinx,Pulse,ON,Everlight and Freescale. Main products comprise IC,Modules,Potentiometer,IC Socket,Relay,Connector.Our parts cover such applications as commercial,industrial, and automotives areas.

We are looking forward to setting up business relationship with you and hope to provide you with the best service and solution. Let us make a better world for our industry!



Contact us

Tel: +86-755-8981 8866 Fax: +86-755-8427 6832

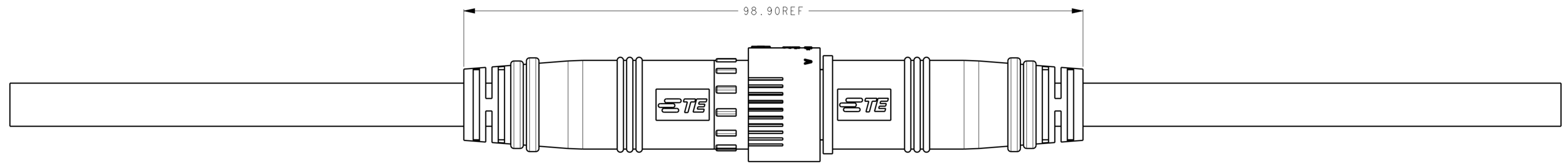
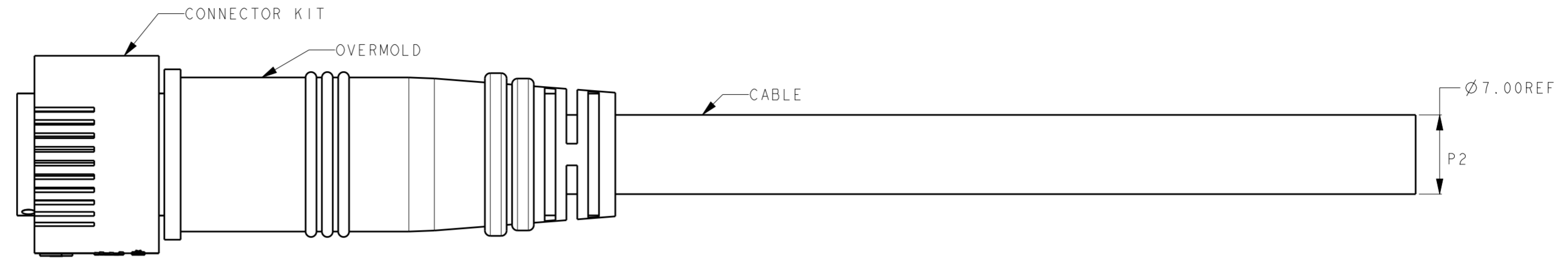
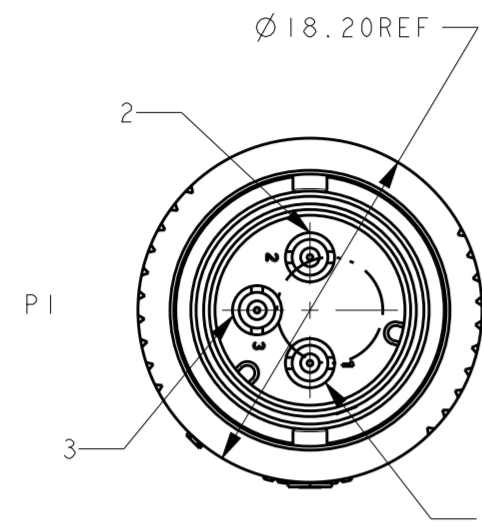
Email & Skype: info@chipsmall.com Web: www.chipsmall.com

Address: A1208, Overseas Decoration Building, #122 Zhenhua RD., Futian, Shenzhen, China



THIS DRAWING IS UNPUBLISHED. RELEASED FOR PUBLICATION 20
 © COPYRIGHT 20 BY - ALL RIGHTS RESERVED.

LOC	DIST	REVISIONS			
P	LTR	DESCRIPTION	DATE	DWN	APVD
-	-	A	RELEASE	02APR2015	M.S X.X
-	-	AI	UPDATE TABLE	16APR2015	M.S X.X
-	-	B	ECR-16-015004	25OCT2016	M.S X.X
-	-	BI	ECR-17-000249	05JAN2017	M.S X.X



MATE WITH 2834003 SERIES

WIRING DIAGRAM		
P1	WIRE COLOR	P2
P1-1	RED	-
P1-2	BLACK	-
P1-3	BROWN	-

NOTES:
 1. MATE WITH 2834003 SERIES.
 2. RATINGS:
 VOLTAGE: 300V AC/DC
 CURRENT: 6A MAX.
 TEMPERATURE: 80°C

P/N	CABLE	DIM A	L (mm)
9-2834002-1	RUBBER (THERMOPLASTIC ELASTOMER TYPE)	Ø8.0	150±5
9-2834002-2			250±10
9-2834002-3			500±15
9-2834002-4			1000±15

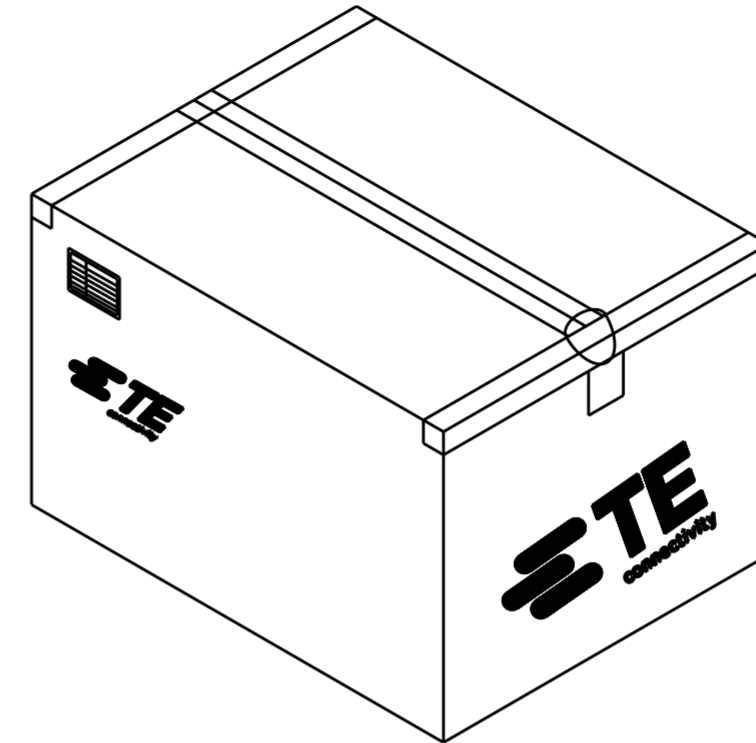
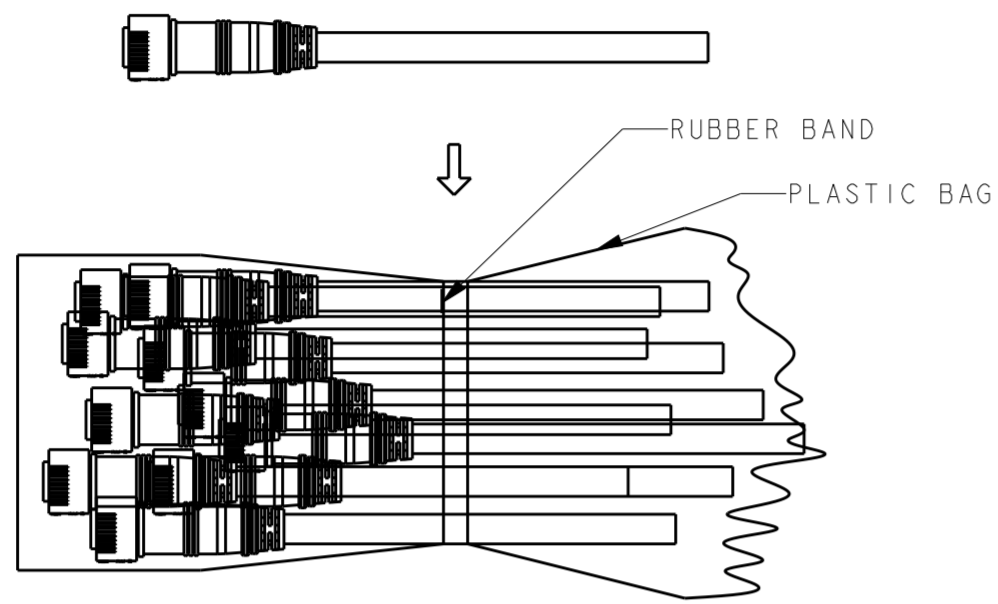
THIS DRAWING IS A CONTROLLED DOCUMENT.		DWN SHI MING 10SEP2014	STE TE Connectivity	
DIMENSIONS: mm		CHK SHI MING 10SEP2014		
TOLERANCES UNLESS OTHERWISE SPECIFIED: 0 PLC ±- 1 PLC ±1.0 2 PLC ±0.5 3 PLC ±- 4 PLC ±- ANGLES ±- FINISH		APVD XU XIANG 10SEP2014	NAME 3P MALE CABLE ASSEMBLY CIRCULAR LIGHTING SEALED CONN.	
MATERIAL		PRODUCT SPEC 108-137041	SIZE A2	CAGE CODE -
		APPLICATION SPEC 114-137041	DRAWING NO G-2834002	RESTRICTED TO -
		WEIGHT -	SCALE NTS	SHEET 1 OF 2
		Customer Drawing	REV BI	

THIS DRAWING IS UNPUBLISHED. RELEASED FOR PUBLICATION 20
 © COPYRIGHT 20 BY - ALL RIGHTS RESERVED.

LOC		DIST		REVISIONS			
P	LTR	DESCRIPTION	DATE	DWN	APVD		
-	-	SEE SHEET 1	-	-	-		

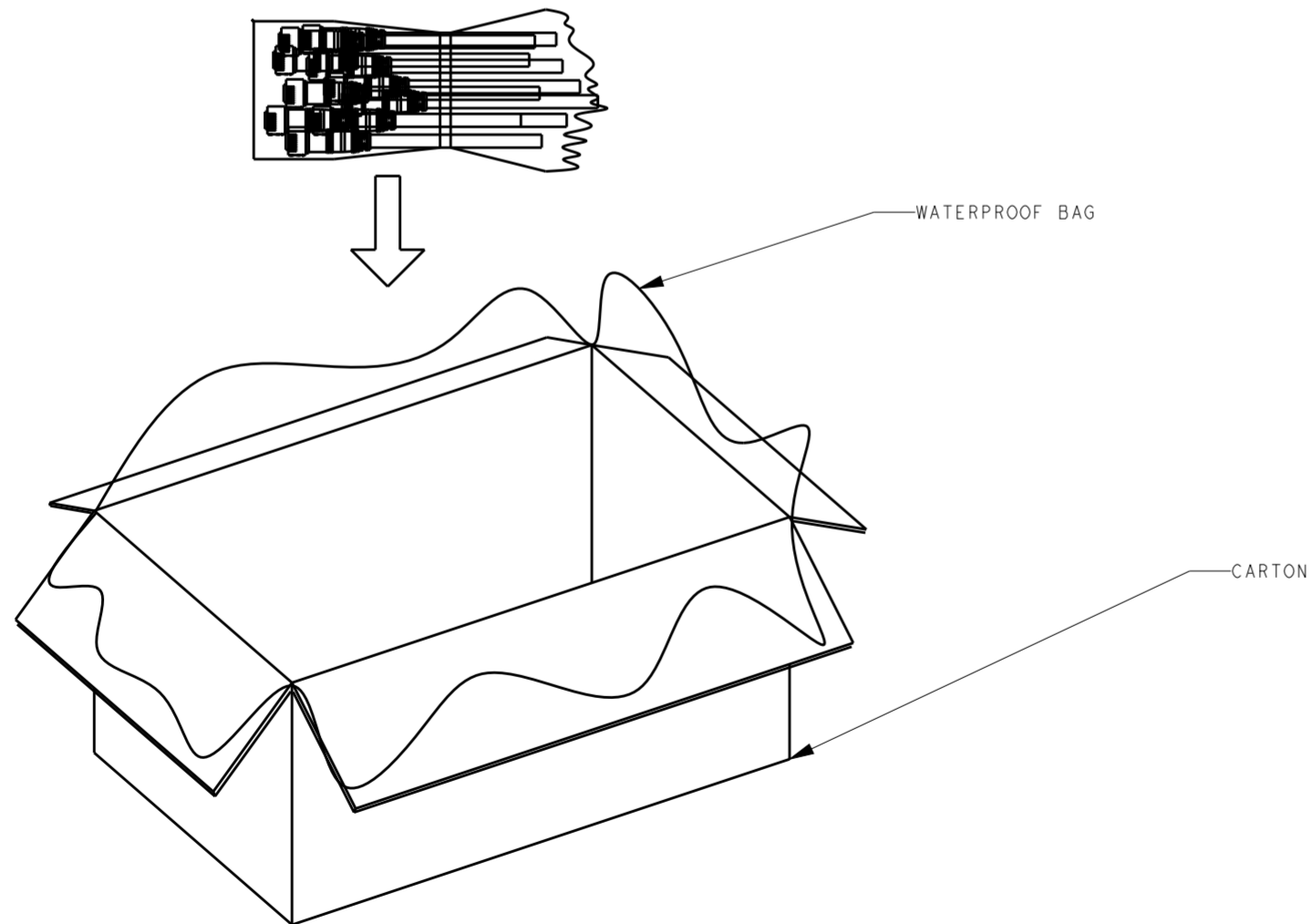
1. PUT PIECES OF PARTS INTO THE PLASTIC BAG, AND SEALED WITH RUBBER BAND AS 1 BUNCH.

3. SEAL THE CARTON.



2. PUT BUNCHES OF PARTS INTO CARTON.

4. PACKAGING QUANTITIES(REFER SHEET 1 FOR PN DEFINITION):



P/N	PARTS PER CARTON (PCS)
9-2834002-1	500
9-2834002-2	260
9-2834002-3	90
9-2834002-4	60

THIS DRAWING IS A CONTROLLED DOCUMENT.		DWN SHI MING 10SEP2014	TE TE Connectivity	
DIMENSIONS: mm		CHK SHI MING 10SEP2014		
TOLERANCES UNLESS OTHERWISE SPECIFIED:		APVD XU XIANG 10SEP2014	NAME 3P MALE CABLE ASSEMBLY CIRCULAR LIGHTING SEALED CONN.	
0 PLC ±-		PRODUCT SPEC 108-137041	RESTRICTED TO -	
1 PLC ±1.0		APPLICATION SPEC 114-137041	SIZE A2	CAGE CODE -
2 PLC ±0.5		WEIGHT -	DRAWING NO C-2834002	
3 PLC ±-		Customer Drawing	SCALE NTS	SHEET 2 OF 2
4 PLC ±-				REV B1
ANGLES ±-				
FINISH ±-				