



Chipsmall Limited consists of a professional team with an average of over 10 year of expertise in the distribution of electronic components. Based in Hongkong, we have already established firm and mutual-benefit business relationships with customers from,Europe,America and south Asia,supplying obsolete and hard-to-find components to meet their specific needs.

With the principle of "Quality Parts,Customers Priority,Honest Operation,and Considerate Service",our business mainly focus on the distribution of electronic components. Line cards we deal with include Microchip,ALPS,ROHM,Xilinx,Pulse,ON,Everlight and Freescale. Main products comprise IC,Modules,Potentiometer,IC Socket,Relay,Connector.Our parts cover such applications as commercial,industrial, and automotives areas.

We are looking forward to setting up business relationship with you and hope to provide you with the best service and solution. Let us make a better world for our industry!



## Contact us

Tel: +86-755-8981 8866 Fax: +86-755-8427 6832

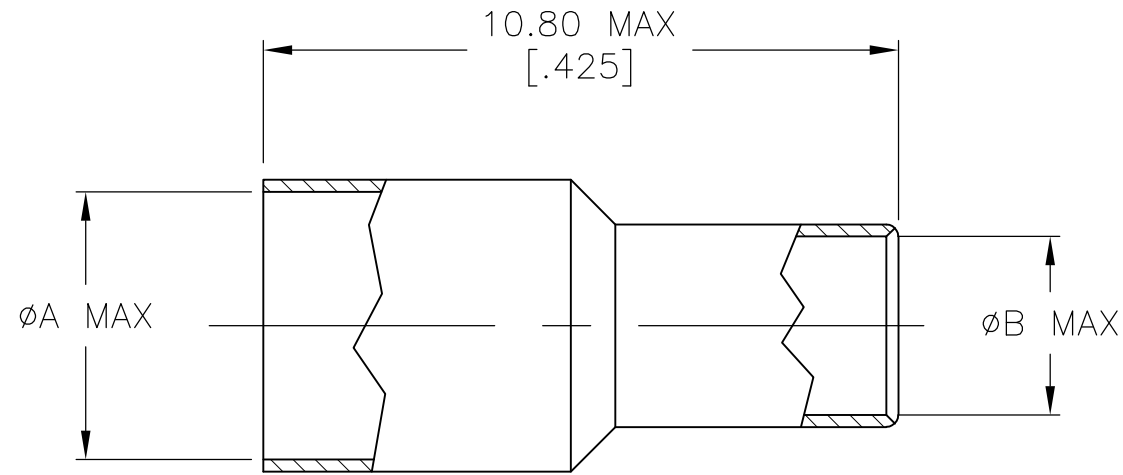
Email & Skype: info@chipsmall.com Web: www.chipsmall.com

Address: A1208, Overseas Decoration Building, #122 Zhenhua RD., Futian, Shenzhen, China



THIS DRAWING IS UNPUBLISHED. RELEASED FOR PUBLICATION  
 © COPYRIGHT BY TYCO ELECTRONICS CORPORATION. ALL RIGHTS RESERVED.

LOC	DIST	REVISIONS					
AJ	00	P	LTR	DESCRIPTION	DATE	DWN	APVD
			T3	REVISED PER ECO-10-008433	20MAY10	HMR	KW



- 1 SILVER PLATE PER QQ-S-365  
5.08  $\mu m$  [.000200] MINIMUM THICK.
- 2 TIN-LEAD PLATE PER ASTM-B-545  
2.54  $\mu m$  [.000100] MINIMUM THICK,  
WITH SUPPLEMENTAL ANTI FRETTING LUBRICANT.
- 3 GOLD PLATE PER MIL-G-45204  
0.76  $\mu m$  [.000030] MINIMUM THICK.
- 4 MATTE TIN PLATE PER ASTM-B-545  
2.54  $\mu m$  [.000100] MINIMUM THICK,  
WITH SUPPLEMENTAL ANTI FRETTING LUBRICANT.
- 5 BRIGHT TIN PLATE PER ASTM-B-545  
2.54  $\mu m$  [.000100] MINIMUM THICK,  
WITH SUPPLEMENTAL ANTI FRETTING LUBRICANT.

3.05	[.120]	4.55	[.179]	5	9-328666-4
3.05	[.120]	3.86	[.152]	1	9-328666-3
3.73	[.147]	4.55	[.179]	4	9-328666-2
3.05	[.120]	3.86	[.152]	4	9-328666-1
3.05	[.120]	4.55	[.179]	4	9-328666-0
3.40	[.134]	4.55	[.179]	2	3-328666-9
5.03	[.198]	5.51	[.217]	2	3-328666-6
3.73	[.147]	4.55	[.179]	2	3-328666-3
3.05	[.120]	3.86	[.152]	2	2-328666-7
3.05	[.120]	4.55	[.179]	3	2-328666-6
3.05	[.120]	4.55	[.179]	2	2-328666-5
3.05	[.120]	4.55	[.179]	1	2-328666-3
3.05	[.120]	3.86	[.152]	1	328666
B		A		FINISH	PART NUMBER

THIS DRAWING IS A CONTROLLED DOCUMENT.		DWN	J. LIPPERT	28MAR01	Tyco Electronics Corporation Harrisburg, PA 17105-3608													
DIMENSIONS: mm [INCHES]		CHK	R.E.RUTH	7/27/90	NAME													
TOLERANCES UNLESS OTHERWISE SPECIFIED:		APVD	M. SNEED	7/27/90	PRODUCT SPEC													
<table border="0"> <tr> <td>0 PLC</td> <td>± -</td> </tr> <tr> <td>1 PLC</td> <td>± -</td> </tr> <tr> <td>2 PLC</td> <td>± -</td> </tr> <tr> <td>3 PLC</td> <td>± -</td> </tr> <tr> <td>4 PLC</td> <td>± -</td> </tr> <tr> <td>ANGLES</td> <td>± -</td> </tr> </table>		0 PLC	± -	1 PLC	± -	2 PLC	± -	3 PLC	± -	4 PLC	± -	ANGLES	± -	APPLICATION SPEC		FERRULE		
0 PLC	± -																	
1 PLC	± -																	
2 PLC	± -																	
3 PLC	± -																	
4 PLC	± -																	
ANGLES	± -																	
MATERIAL	FINISH	WEIGHT	-		SIZE	CAGE CODE	DRAWING NO	RESTRICTED TO										
COPPER ALLOY	SEE TABLE	-		A3	00779	C=328666	-											
CUSTOMER DRAWING				SCALE	1:1	SHEET	1 OF 1	REV										
								T3										