



Chipsmall Limited consists of a professional team with an average of over 10 year of expertise in the distribution of electronic components. Based in Hongkong, we have already established firm and mutual-benefit business relationships with customers from,Europe,America and south Asia,supplying obsolete and hard-to-find components to meet their specific needs.

With the principle of “Quality Parts,Customers Priority,Honest Operation,and Considerate Service”,our business mainly focus on the distribution of electronic components. Line cards we deal with include Microchip,ALPS,ROHM,Xilinx,Pulse,ON,Everlight and Freescale. Main products comprise IC,Modules,Potentiometer,IC Socket,Relay,Connector.Our parts cover such applications as commercial,industrial, and automotives areas.

We are looking forward to setting up business relationship with you and hope to provide you with the best service and solution. Let us make a better world for our industry!



Contact us

Tel: +86-755-8981 8866 Fax: +86-755-8427 6832

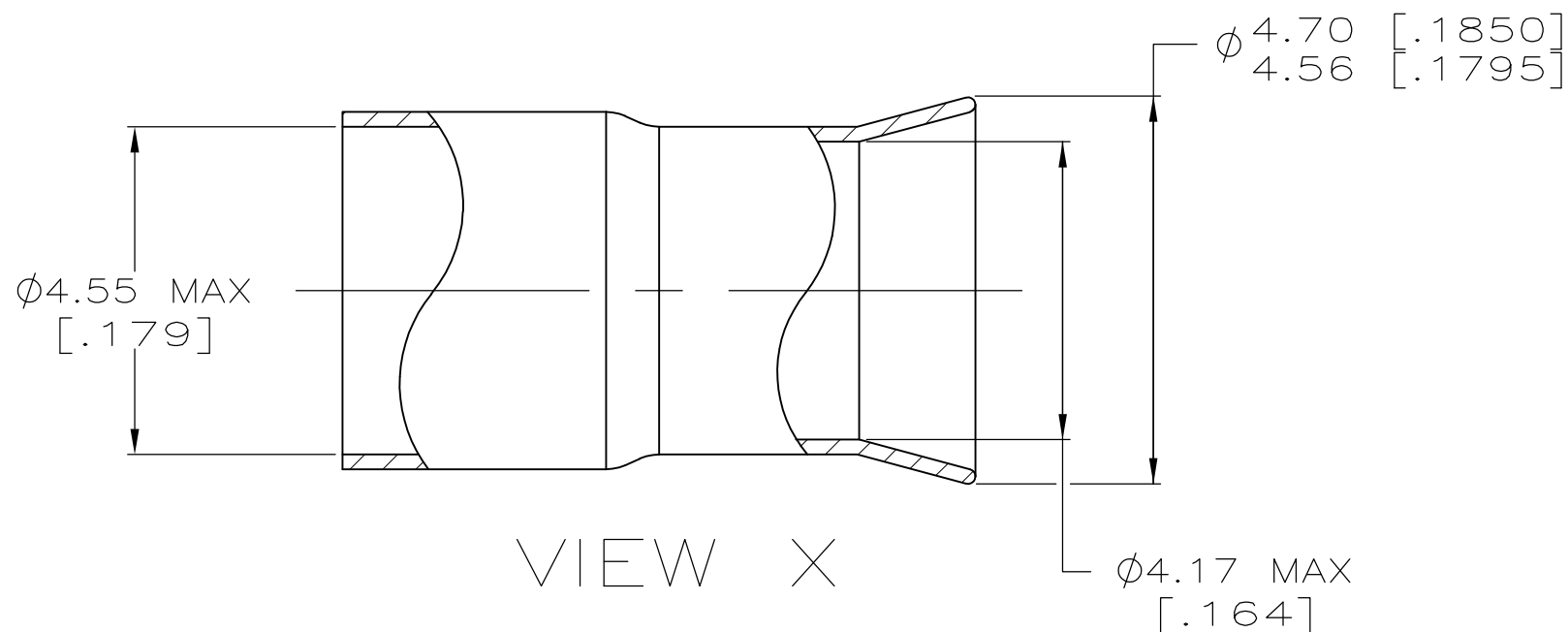
Email & Skype: info@chipsmall.com Web: www.chipsmall.com

Address: A1208, Overseas Decoration Building, #122 Zhenhua RD., Futian, Shenzhen, China

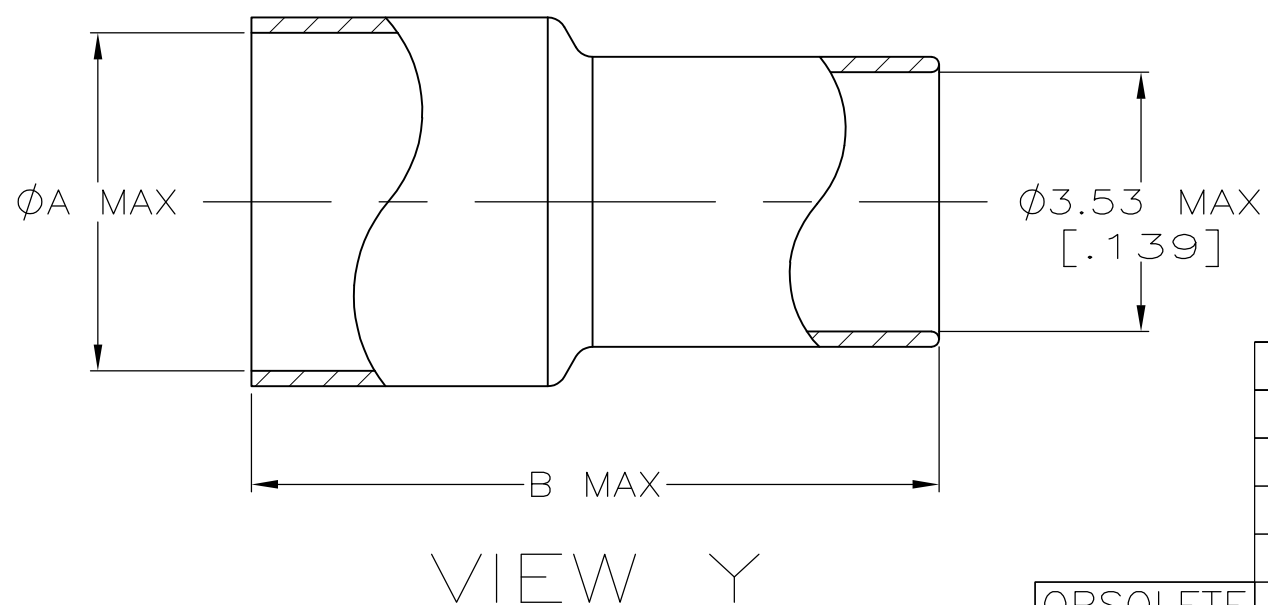


THIS DRAWING IS UNPUBLISHED. RELEASED FOR PUBLICATION
 © COPYRIGHT BY TYCO ELECTRONICS CORPORATION. ALL RIGHTS RESERVED.

LOC	DIST	REVISIONS					
AJ	16	P	LTR	DESCRIPTION	DATE	DWN	APVD
			AL	REVISED PER ECO-10-008433	28MAY10	HMR	KW



- 1. COPPER ALLOY
- 2. GOLD PLATE PER MIL-G-45204
1.27 μm [0.000050] MIN THICKNESS
- 3. SILVER PLATE PER QQ-S-365,
5.08 μm [0.000200] MIN THICKNESS
- 4. TIN-LEAD PLATE PER ASTM-B-545,
2.54 μm [0.000100] MIN THICKNESS,
WITH SUPPLEMENTAL ANTI FRETTING LUBRICANT.
- 5. TIN PLATE PER ASTM-B-545 WITH SUPPLEMENTAL ANTI-FRETTING LUBRICANT.



	5	9.22 [0.363]	4.55 [0.176]	Y	9-329049-1
	5	11.18 [0.440]	4.75 [0.187]	Y	9-329049-0
	2	8.76 [0.345]	4.55 [0.176]	X	3-329049-0
	4	11.18 [0.440]	4.75 [0.187]	Y	2-329049-9
	4	9.22 [0.363]	4.55 [0.176]	Y	2-329049-4
OBSOLETE	4	8.76 [0.345]	4.55 [0.176]	X	2-329049-3
	3	9.22 [0.363]	4.55 [0.176]	Y	2-329049-1
	3	8.76 [0.345]	4.55 [0.176]	X	329049
FINISH		B	A	VIEW	PART NUMBER

THIS DRAWING IS A CONTROLLED DOCUMENT.		DWN MICHAEL E. COWHER 16NOV95	Tyco Electronics Corporation Harrisburg, Pa 17105-3608	
DIMENSIONS: mm [INCHES]		CHK FRANK MORANA 16NOV95	NAME FERRULE, STEP DOWN	
TOLERANCES UNLESS OTHERWISE SPECIFIED:		APVD FRANK MORANA 16NOV95	PRODUCT SPEC -	
0 PLC ± -		APPLICATION SPEC -		
1 PLC ± -		SIZE A3		
2 PLC ± -		CAGE CODE 00779		
3 PLC ± -		DRAWING NO G-329049		
4 PLC ± -		RESTRICTED TO -		
ANGLES ± -		SCALE 10:1		
MATERIAL SEE NOTES		FINISH SEE NOTES		
		WEIGHT -		
		CUSTOMER DRAWING		
		SHEET 1 OF 1		
		REV AL		