



Chipsmall Limited consists of a professional team with an average of over 10 year of expertise in the distribution of electronic components. Based in Hongkong, we have already established firm and mutual-benefit business relationships with customers from,Europe,America and south Asia,supplying obsolete and hard-to-find components to meet their specific needs.

With the principle of “Quality Parts,Customers Priority,Honest Operation,and Considerate Service”,our business mainly focus on the distribution of electronic components. Line cards we deal with include Microchip,ALPS,ROHM,Xilinx,Pulse,ON,Everlight and Freescale. Main products comprise IC,Modules,Potentiometer,IC Socket,Relay,Connector.Our parts cover such applications as commercial,industrial, and automotives areas.

We are looking forward to setting up business relationship with you and hope to provide you with the best service and solution. Let us make a better world for our industry!



Contact us

Tel: +86-755-8981 8866 Fax: +86-755-8427 6832

Email & Skype: info@chipsmall.com Web: www.chipsmall.com

Address: A1208, Overseas Decoration Building, #122 Zhenhua RD., Futian, Shenzhen, China



THIS DRAWING IS UNPUBLISHED.

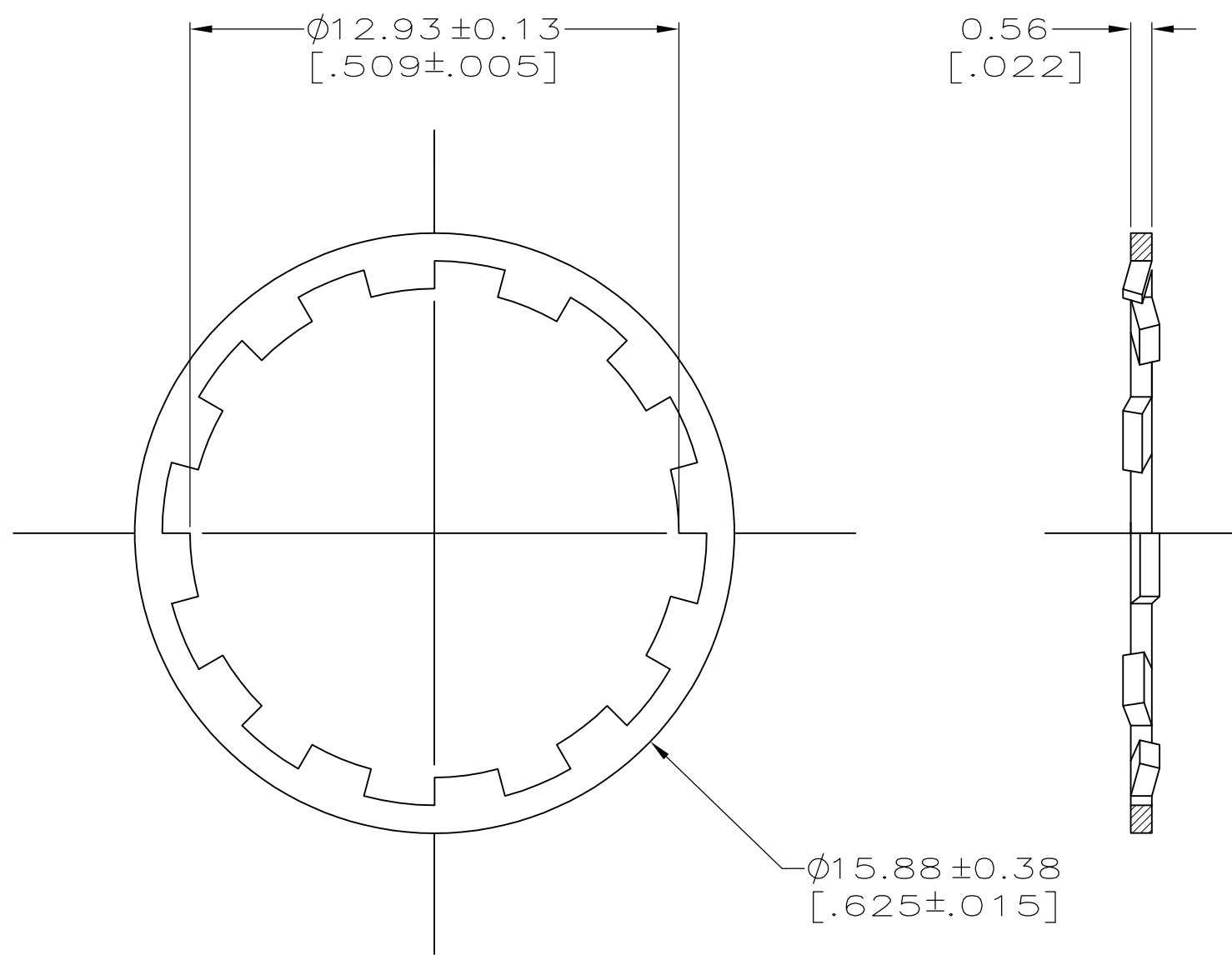
RELEASED FOR PUBLICATION

-. -. .

© COPYRIGHT - By -

ALL RIGHTS RESERVED.

LOC	DIST	REVISIONS					
AJ	16	P	LTR	DESCRIPTION	DATE	DWN	APVD
			F1	REVISED PER ECO-11-005030	11MAR11	RK	HMR



- ① PHOSPHOR BRONZE PER QQ-B-750.
- ② SILVER PLATE PER QQ-S-365.
- ③ NICKEL PLATE PER QQ-N-290.
- ④ GOLD PLATE PER MIL-G-45204, $0.51 \mu\text{m}$ [$.000020$] MINIMUM THICK.

④	1-329632-5
③	1-329632-2
②	329632
FINISH	PART NUMBER

THIS DRAWING IS A CONTROLLED DOCUMENT.		DWN	M. O'BRINE	29MAR01	STE TE Connectivity		
DIMENSIONS: mm [INCHES]		CHK	B. MOYER	30MAR01			
TOLERANCES UNLESS OTHERWISE SPECIFIED:		APVD	B. MOYER	30MAR01	NAME		
0 PLC ± -		PRODUCT SPEC			LOCKWASHER		
1 PLC ± -		APPLICATION SPEC			-		
2 PLC ± -		SIZE	A3	CAGE CODE	00779	DRAWING NO	C-329632
3 PLC ± 0.20 [.008]		WEIGHT	[.009 oz]	RESTRICTED TO		-	
4 PLC ± -		CUSTOMER DRAWING					
ANGLES ± -		SCALE	6:1	SHEET	1 OF 1	REV	F1
MATERIAL		SEE TABLE					