



Chipsmall Limited consists of a professional team with an average of over 10 year of expertise in the distribution of electronic components. Based in Hongkong, we have already established firm and mutual-benefit business relationships with customers from,Europe,America and south Asia,supplying obsolete and hard-to-find components to meet their specific needs.

With the principle of “Quality Parts,Customers Priority,Honest Operation,and Considerate Service”,our business mainly focus on the distribution of electronic components. Line cards we deal with include Microchip,ALPS,ROHM,Xilinx,Pulse,ON,Everlight and Freescale. Main products comprise IC,Modules,Potentiometer,IC Socket,Relay,Connector.Our parts cover such applications as commercial,industrial, and automotives areas.

We are looking forward to setting up business relationship with you and hope to provide you with the best service and solution. Let us make a better world for our industry!



## Contact us

Tel: +86-755-8981 8866 Fax: +86-755-8427 6832

Email & Skype: info@chipsmall.com Web: www.chipsmall.com

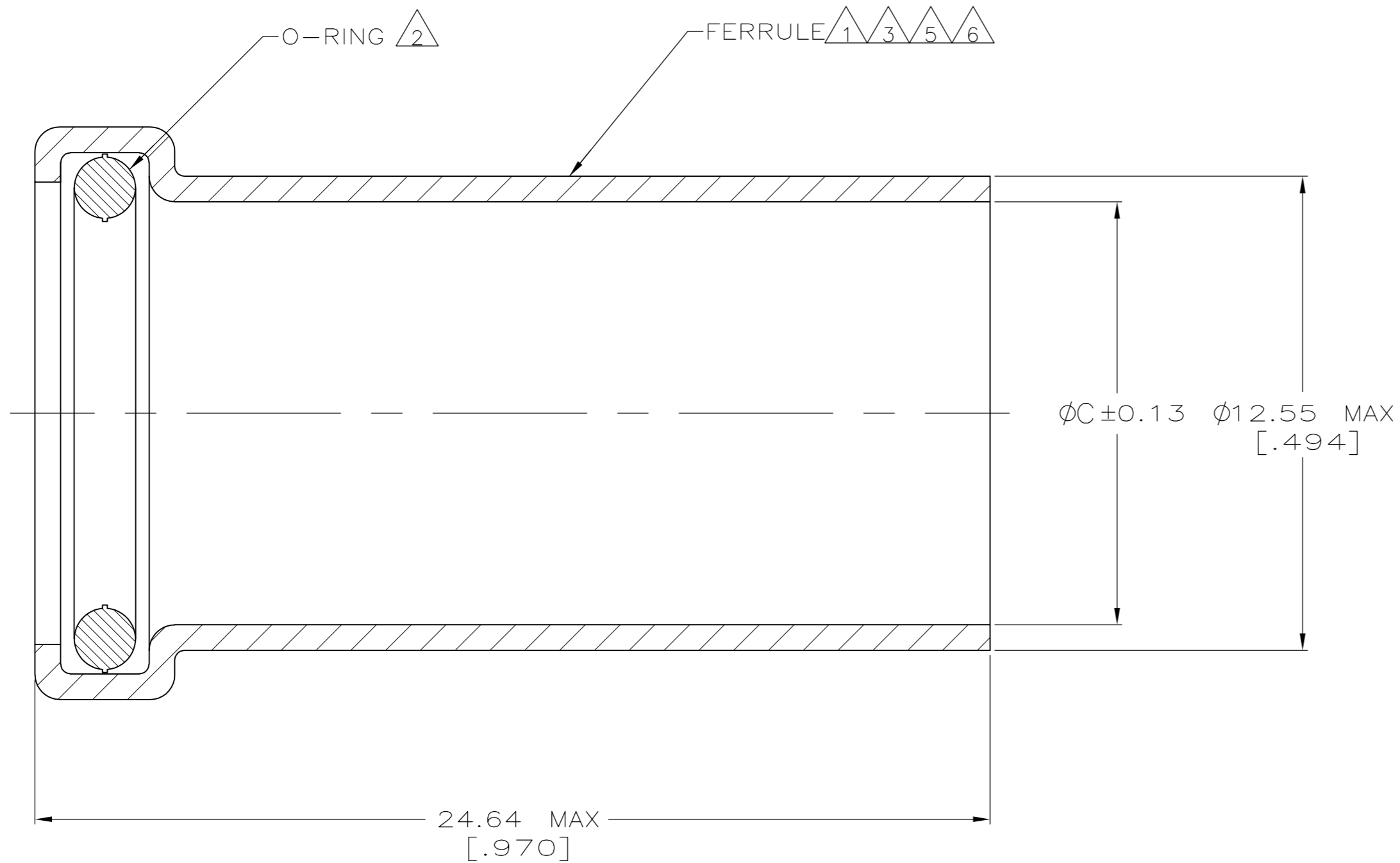
Address: A1208, Overseas Decoration Building, #122 Zhenhua RD., Futian, Shenzhen, China



THIS DRAWING IS UNPUBLISHED. RELEASED FOR PUBLICATION  
 © COPYRIGHT BY TYCO ELECTRONICS CORPORATION. ALL RIGHTS RESERVED.

LOC	DIST	REVISIONS					
		P	LTR	DESCRIPTION	DATE	DWN	APVD
AJ	17		N	REVISED PER ECO-10-008441	21MAY10	HMR	KW

- △1 COPPER ALLOY.
- △2 SILICONE RUBBER PER ZZ-R-765.
- △3 SILVER PLATE PER QQ-S-365.
- △4 TIN PLATE PER ASTM-B-545.
- △5 RHODIUM FLASH PER MIL-R-46085, OVER SILVER PER QQ-S-365.
- △6 GOLD PLATE PER MIL-G-45204.



	11.23	[.442]	△3	9-331987-5
	11.23	[.442]	△3	9-331987-4
	11.23	[.442]	△3	9-331987-3
	11.23	[.442]	△4	9-331987-2
	11.23	[.442]	△4	9-331987-1
	11.23	[.442]	△4	9-331987-0
	10.92	[.430]	△4	2-331987-0
	11.23	[.442]	△3	1-331987-9
OBSOLETE	11.23	[.442]	△6	1-331987-8
	11.23	[.442]	△4	1-331987-5
	11.23	[.442]	△4	1-331987-4
	11.23	[.442]	△3	1-331987-3
OBSOLETE	11.10	[.437]	△5	1-331987-2
OBSOLETE	11.23	[.442]	△5	1-331987-1
	11.10	[.437]	△3	1-331987-0
	11.23	[.442]	△3	331987
	C		FINISH	PART NO

THIS DRAWING IS A CONTROLLED DOCUMENT.		DWN B. MOYER 08-09-93	Tyco Electronics Corporation Harrisburg, Pa 17105-3608	
DIMENSIONS: INCHES		CHK B. KOBLER 8-10-93	NAME FERRULE ASSY, SERIES N	
TOLERANCES UNLESS OTHERWISE SPECIFIED: 0 PLC ± - 1 PLC ± - 2 PLC ± 0.13 [.005] 3 PLC ± - 4 PLC ± - ANGLES ± -		APVD B. KOBLER 8-10-93	PRODUCT SPEC -	RESTRICTED TO -
MATERIAL △1 △2		FINISH △3 △4 △5 △6	WEIGHT -	SIZE A2
CUSTOMER DRAWING		SCALE 8:1	CAGE CODE 00779	DRAWING NO C=331987
		SHEET 1 OF 1	REV N	