



Chipsmall Limited consists of a professional team with an average of over 10 year of expertise in the distribution of electronic components. Based in Hongkong, we have already established firm and mutual-benefit business relationships with customers from,Europe,America and south Asia,supplying obsolete and hard-to-find components to meet their specific needs.

With the principle of "Quality Parts,Customers Priority,Honest Operation,and Considerate Service",our business mainly focus on the distribution of electronic components. Line cards we deal with include Microchip,ALPS,ROHM,Xilinx,Pulse,ON,Everlight and Freescale. Main products comprise IC,Modules,Potentiometer,IC Socket,Relay,Connector.Our parts cover such applications as commercial,industrial, and automotives areas.

We are looking forward to setting up business relationship with you and hope to provide you with the best service and solution. Let us make a better world for our industry!



Contact us

Tel: +86-755-8981 8866 Fax: +86-755-8427 6832

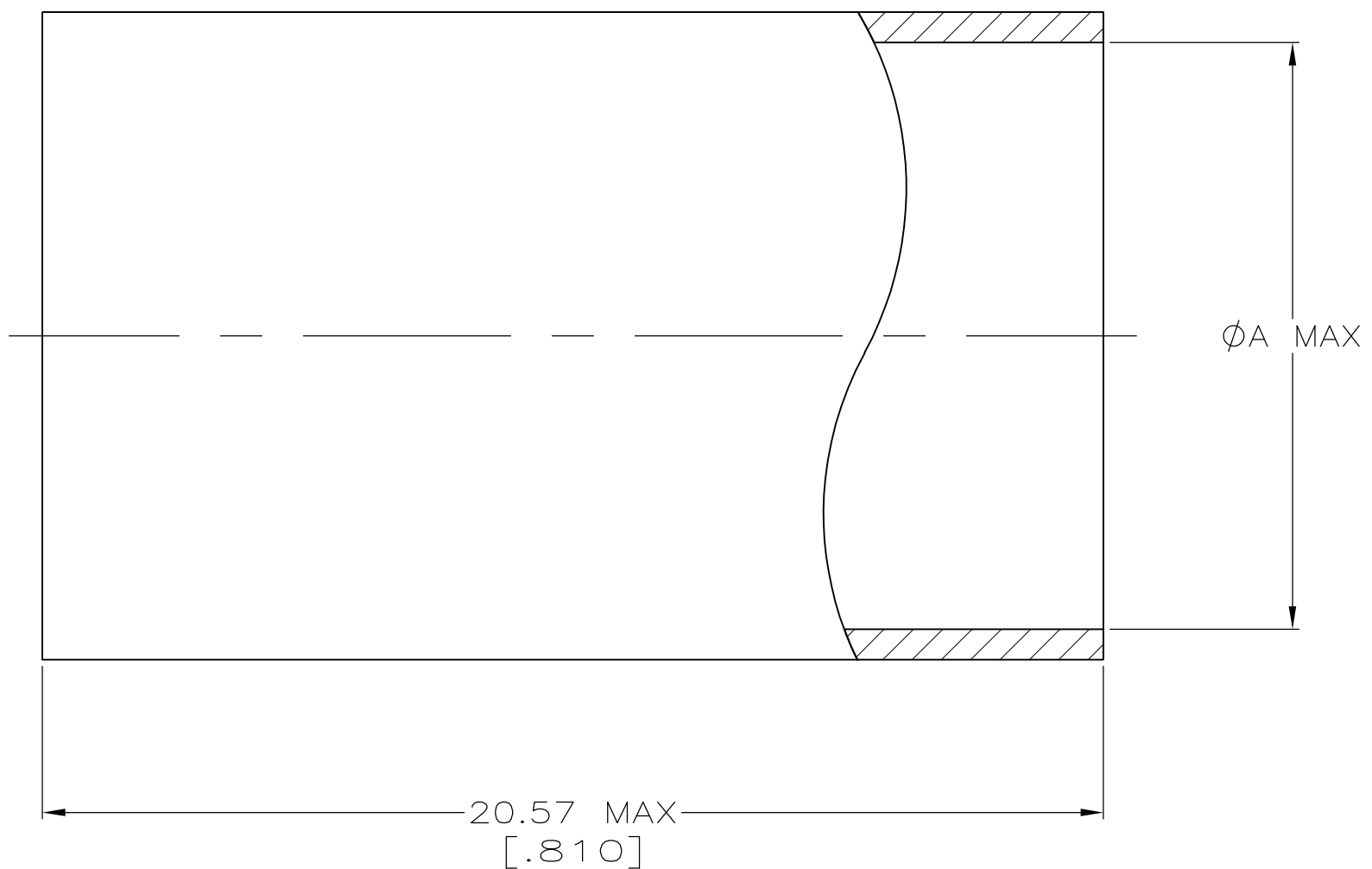
Email & Skype: info@chipsmall.com Web: www.chipsmall.com

Address: A1208, Overseas Decoration Building, #122 Zhenhua RD., Futian, Shenzhen, China



THIS DRAWING IS UNPUBLISHED. RELEASED FOR PUBLICATION
 © COPYRIGHT BY TYCO ELECTRONICS CORPORATION. ALL RIGHTS RESERVED.

LOC	DIST	REVISIONS					
		P	LTR	DESCRIPTION	DATE	DWN	APVD
AJ	16		AC	REVISED PER ECO-10-008441	17JUN10	HMR	KW



- 1. COPPER ALLOY
- ② NICKEL PLATE PER QQ-N-290, 2.54μm (.0000100) MIN THICKNESS.
- ③ SILVER PLATE PER QQ-S-365, 5.08μm (.0000200) MIN THICKNESS.
- ④ TIN-LEAD PLATE PER ASTM-B-545, 2.54μm (.000100) MIN THICKNESS, WITH SUPPLEMENTAL ANTI FRETTING LUBRICANT.
- ⑤ MATTE TIN PLATE PER ASTM-B-545, 2.54μm (.000100) MIN THICKNESS, WITH SUPPLEMENTAL ANTI FRETTING LUBRICANT.

	⑤	8.51 [.334]	9-51713-3
	⑤	8.99 [.354]	9-51713-1
	⑤	11.28 [.444]	9-51713-0
	④	11.28 [.444]	1-51713-3
	④	8.51 [.334]	1-51713-2
	④	8.99 [.354]	1-51713-1
OBSOLETE	②	8.89 [.350]	1-51713-0
	④	11.28 [.444]	51713-9
	④	8.89 [.350]	51713-8
OBSOLETE	④	8.51 [.334]	51713-6
	③	8.99 [.354]	51713-4
	③	11.28 [.444]	51713-2
FINISH		A	PART NUMBER

THIS DRAWING IS A CONTROLLED DOCUMENT.		DWN MICHAEL E. COWHER 10NOV95	Tyco Electronics Corporation Harrisburg, Pa 17105-3608	
DIMENSIONS: mm [INCHES]		CHK FRANK MORANA 10NOV95	NAME	
TOLERANCES UNLESS OTHERWISE SPECIFIED:		APVD FRANK MORANA 10NOV95	FERRULE	
0 PLC ± - 1 PLC ± - 2 PLC ± - 3 PLC ± - 4 PLC ± - ANGLES ± -		PRODUCT SPEC -	SIZE A3	CAGE CODE 00779
MATERIAL SEE NOTES		APPLICATION SPEC -	DRAWING NO C-51713	RESTRICTED TO -
FINISH SEE TABLE		WEIGHT -	SCALE 8:1 SHEET 1 OF 1 REV AC	
CUSTOMER DRAWING				